

1251 SERIES

■ Wire to Board System
pitch 1.25mm(.049")

■ Specifications

1. Current rating: 1A AC/DC
2. Voltage rating: 100V AC/DC
3. Withstand voltage: 500V AC/minute
4. Insulation resistance: 1000M ohm min
5. Contact resistance: 20m ohm max
6. Temperature range: -40°C to +85°C
(including temperature rise)

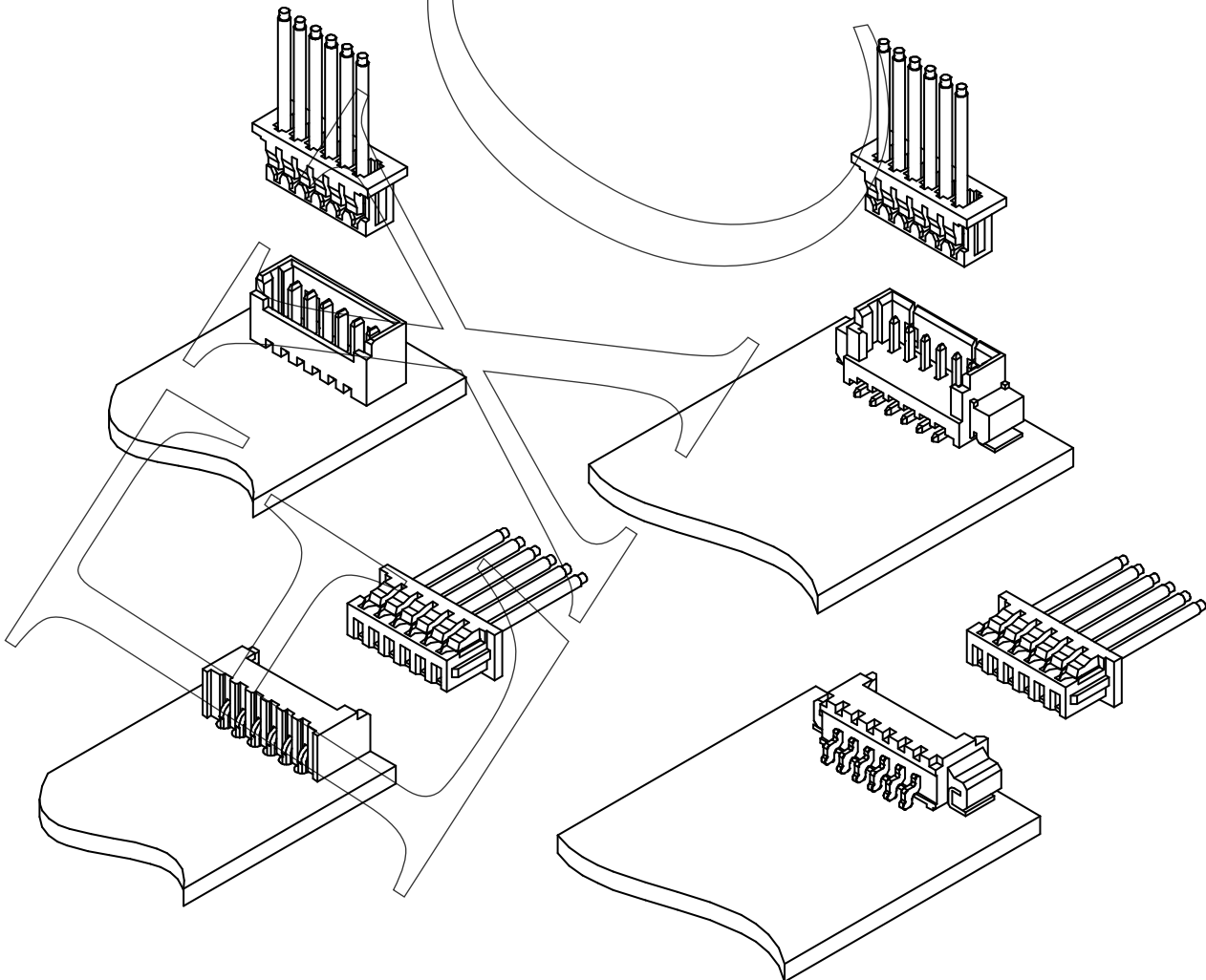
7. Applicable PC board thickness:

1.0~1.6mm(.039" to .063")

8. Applicable wires: AWG#32-#28

Insulation O.D.: 0.9-1.2mm

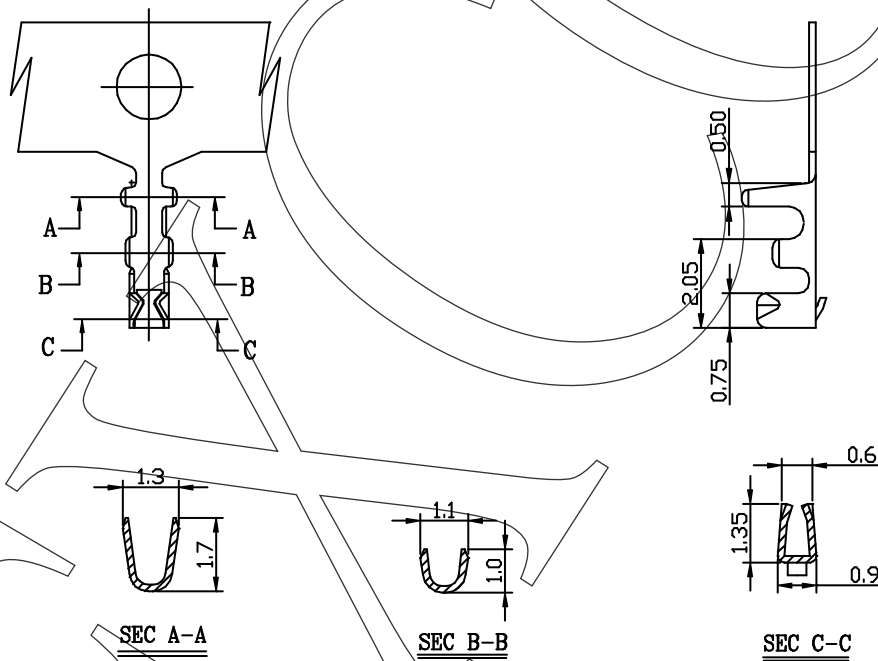
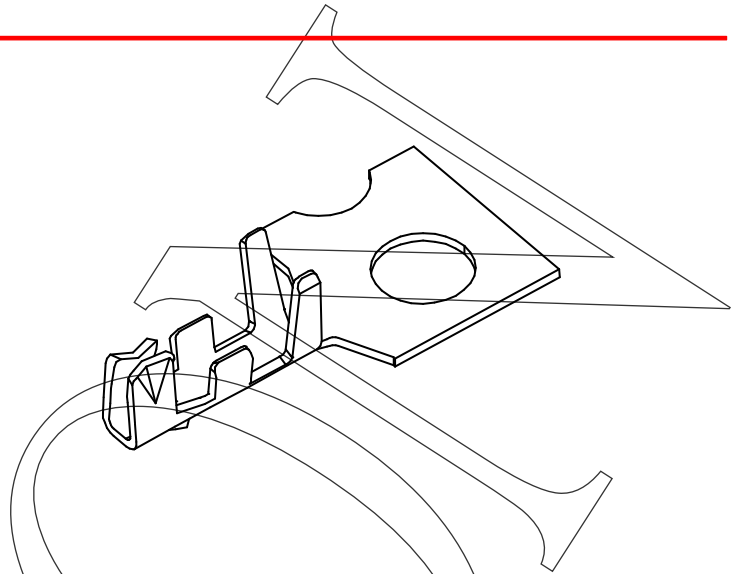
9. Circuits: 2~15 circuits available



1251 SERIES

Crimp Terminal

1. Part No.: 125100TC351
2. Part Name: 1251 Terminal
3. Material: phosphor bronze
4. Finishing: Tin pre-plated



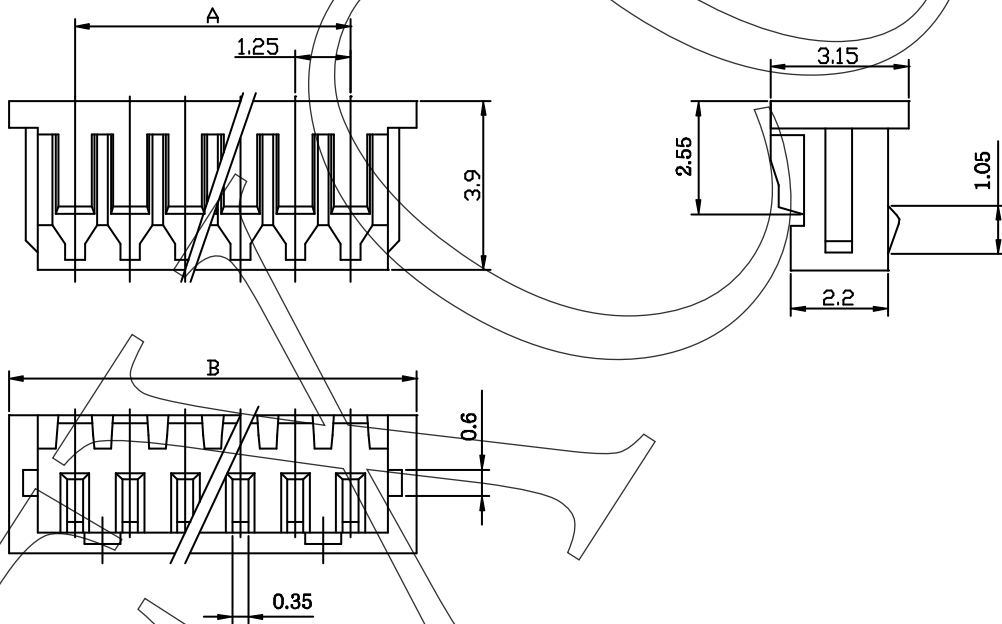
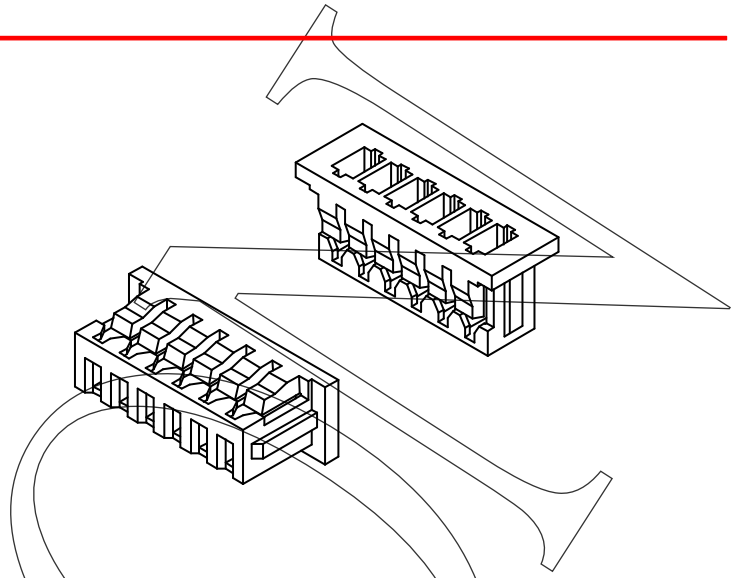
Ordering Information and Dimensions:

Part No.	Wire Range	Insulation O.D.	Material	Finishing	Q'ty/reel
125100TC351	AWG#32~#28	0.9-1.2mm	Phosphor	Tin pre-plated	20,000pcs

1251 SERIES

Housing

1. Part No.: 1251xxHA201
2. Part Name: 1251 Housing
3. Material: PBT , Nylon 66 UL 94V0
4. Color: Nartul



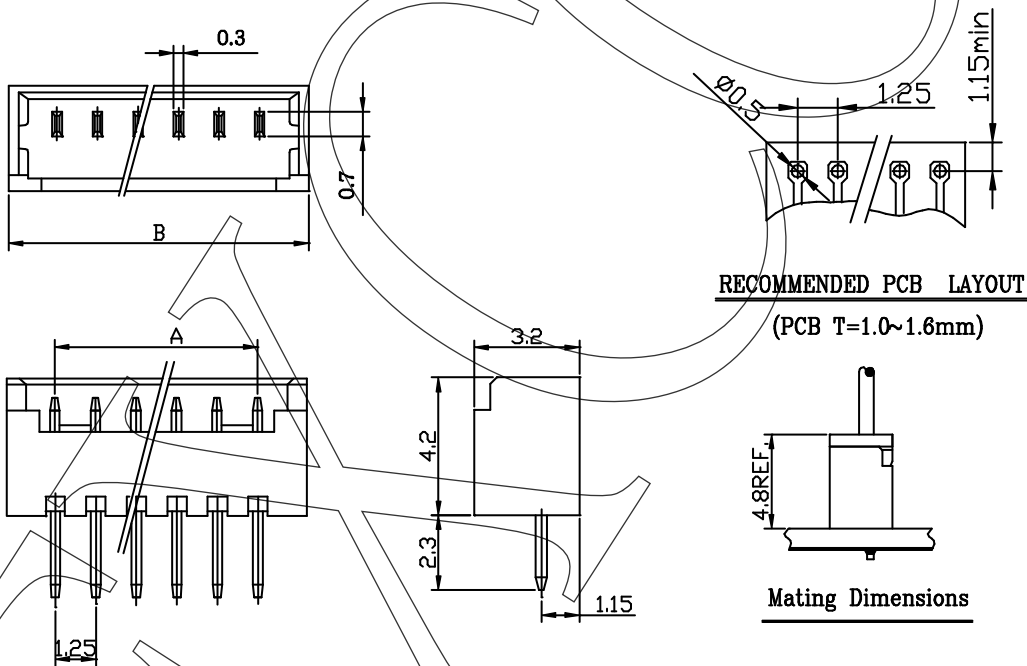
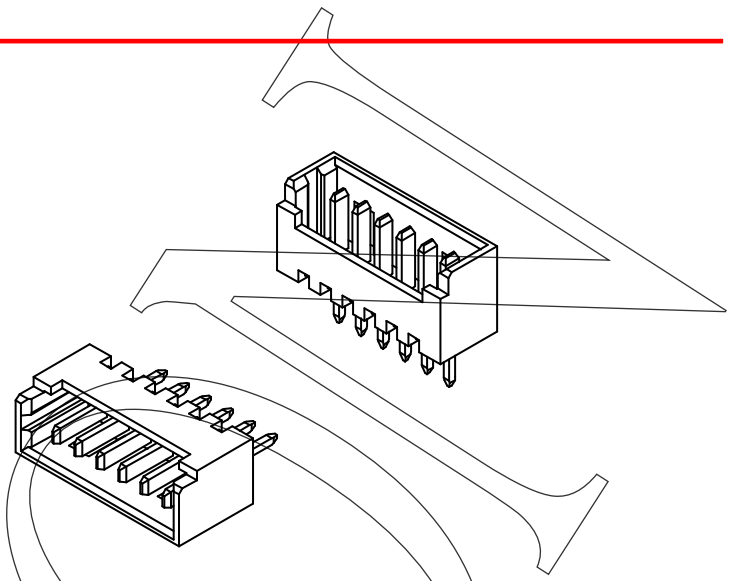
Ordering Information and Dimensions:

Part No.	Circuits	Dim A	Dim B	Part No.	Circuits	Dim A	Dim B
125102HA201	2	1.25	4.25	125110HA201	10	11.25	14.25
125103HA201	3	2.50	5.50	125111HA201	11	12.50	15.50
125104HA201	4	3.75	6.75	125112HA201	12	13.75	16.75
125105HA201	5	5.00	8.00	125113HA201	13	15.00	18.00
125106HA201	6	6.25	9.25	125114HA201	14	16.25	19.25
125107HA201	7	7.50	10.50	125115HA201	15	17.50	20.50
125108HA201	8	8.75	11.75				
125109HA201	9	10.00	13.00				

1251 SERIES

Wafer (Vertical type)

1. Part No.: 1251xxWV101
2. Part Name: 1251 Wafer
3. Material: Nylon 46 UL 94V0
Pin: Brass bronze, Tin plated
4. Color: Nartul



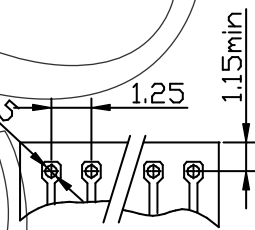
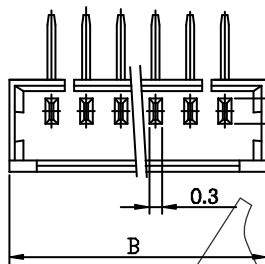
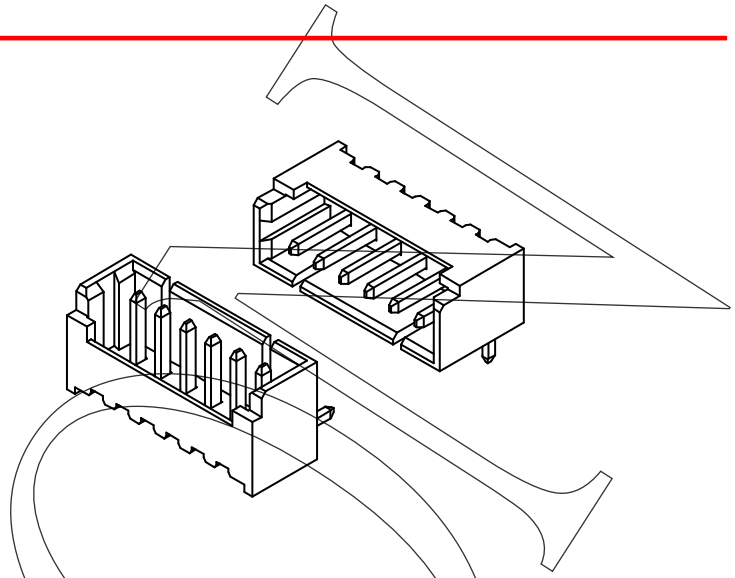
Ordering Information and Dimensions:

Part No.	Circuits	Dim A	Dim B	Part No.	Circuits	Dim A	Dim B
125102WV101	2	1.25	4.25	125110WV101	10	11.25	14.25
125103WV101	3	2.50	5.50	125111WV101	11	12.50	15.50
125104WV101	4	3.75	6.75	125112WV101	12	13.75	16.75
125105WV101	5	5.00	8.00	125113WV101	13	15.00	18.00
125106WV101	6	6.25	9.25	125114WV101	14	16.25	19.25
125107WV101	7	7.50	10.50	125115WV101	15	17.50	20.50
125108WV101	8	8.75	11.75				
125109WV101	9	10.00	13.00				

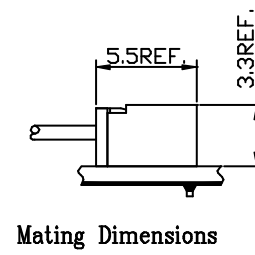
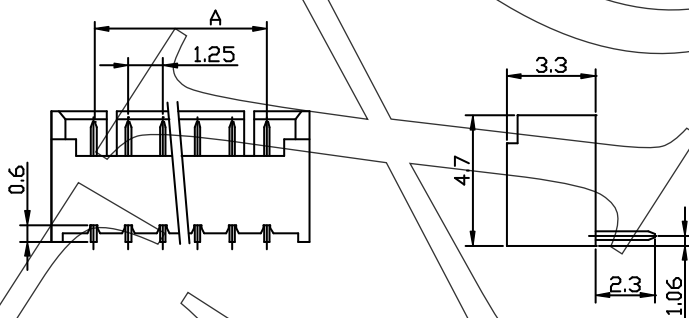
1251 SERIES

Wafer (Right angle type)

1. Part No.: 1251xxWR101
2. Part Name: 1251 Wafer
3. Material: Nylon 46 UL 94V0
Pin: Brass bronze, Tin plated
4. Color: Nartul



RECOMMENDED PCB LAYOUT
(PCB T=1.0~1.6mm)



Mating Dimensions

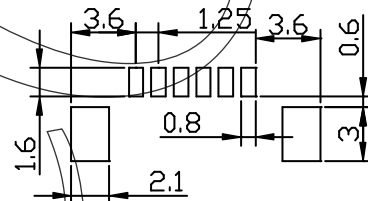
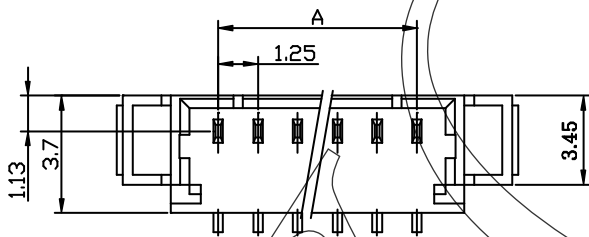
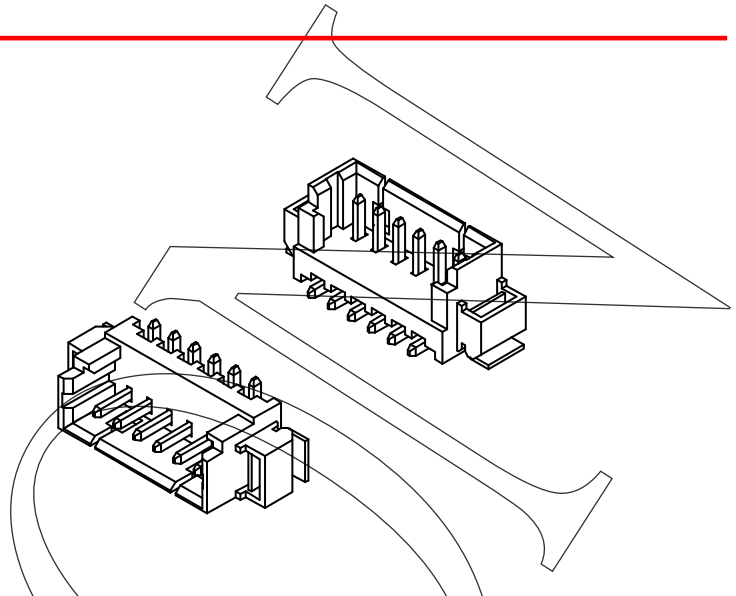
Ordering Information and Dimensions:

Part No.	Circuits	Dim A	Dim B	Part No.	Circuits	Dim A	Dim B
125102WR101	2	1.25	4.25	125110WR101	10	11.25	14.25
125103WR101	3	2.50	5.50	125111WR101	11	12.50	15.50
125104WR101	4	3.75	6.75	125112WR101	12	13.75	16.75
125105WR101	5	5.00	8.00	125113WR101	13	15.00	18.00
125106WR101	6	6.25	9.25	125114WR101	14	16.25	19.25
125107WR101	7	7.50	10.50	125115WR101	15	17.50	20.50
125108WR101	8	8.75	11.75				
125109WR101	9	10.00	13.00				

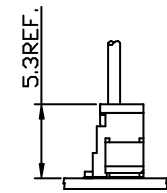
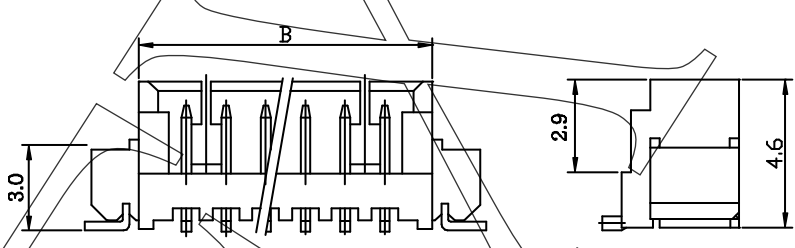
1251 SERIES

Wafer (SMT Vertical type)

1. Part No.: 1251xxWD101
2. Part Name: 1251 Wafer
3. Material: Nylon 46 UL 94V0
Pin: Brass bronze, Tin plated
4. Color: Nartul



RECOMMENDED PCB LAYOUT
(PCB T=1.0~3.5mm)



Mating Dimensions

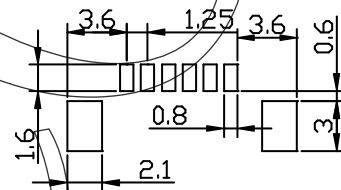
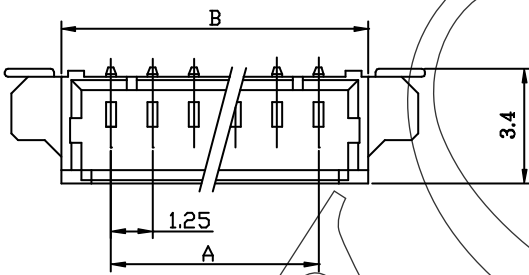
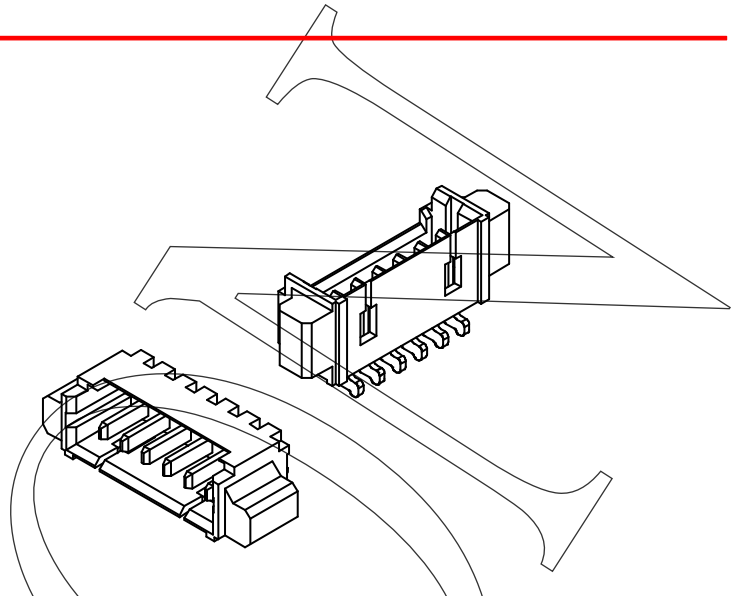
Ordering Information and Dimensions:

Part No.	Circuits	Dim A	Dim B	Part No.	Circuits	Dim A	Dim B
125102WD101	2	1.25	4.25	125110WD101	10	11.25	14.25
125103WD101	3	2.50	5.50	125111WD101	11	12.50	15.50
125104WD101	4	3.75	6.75	125112WD101	12	13.75	16.75
125105WD101	5	5.00	8.00	125113WD101	13	15.00	18.00
125106WD101	6	6.25	9.25	125114WD101	14	16.25	19.25
125107WD101	7	7.50	10.50	125115WD101	15	17.50	20.50
125108WD101	8	8.75	11.75				
125109WD101	9	10.00	13.00				

1251 SERIES

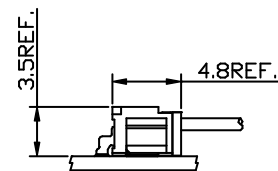
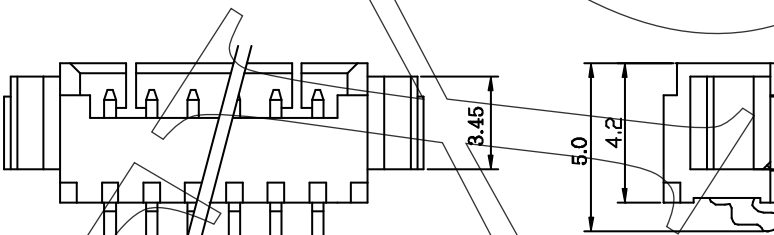
Wafer (SMT Right angle type)

1. Part No.: 1251xxWE101
2. Part Name: 1251 Wafer
3. Material: Nylon 46 UL 94V0
Pin: Brass bronze, Tin plated
4. Color: Nartul



RECOMMENDED PCB LAYOUT

(PCB T=1.0~3.5mm)



Mating Dimensions

Ordering Information and Dimensions:

Part No.	Circuits	Dim A	Dim B	Part No.	Circuits	Dim A	Dim B
125102WE101	2	1.25	4.25	125110WE101	10	11.25	14.25
125103WE101	3	2.50	5.50	125111WE101	11	12.50	15.50
125104WE101	4	3.75	6.75	125112WE101	12	13.75	16.75
125105WE101	5	5.00	8.00	125113WE101	13	15.00	18.00
125106WE101	6	6.25	9.25	125114WE101	14	16.25	19.25
125107WE101	7	7.50	10.50	125115WE101	15	17.50	20.50
125108WE101	8	8.75	11.75				
125109WE101	9	10.00	13.00				