

1501 SERIES

■ Wire to Board System
pitch 1.5 mm(.059")

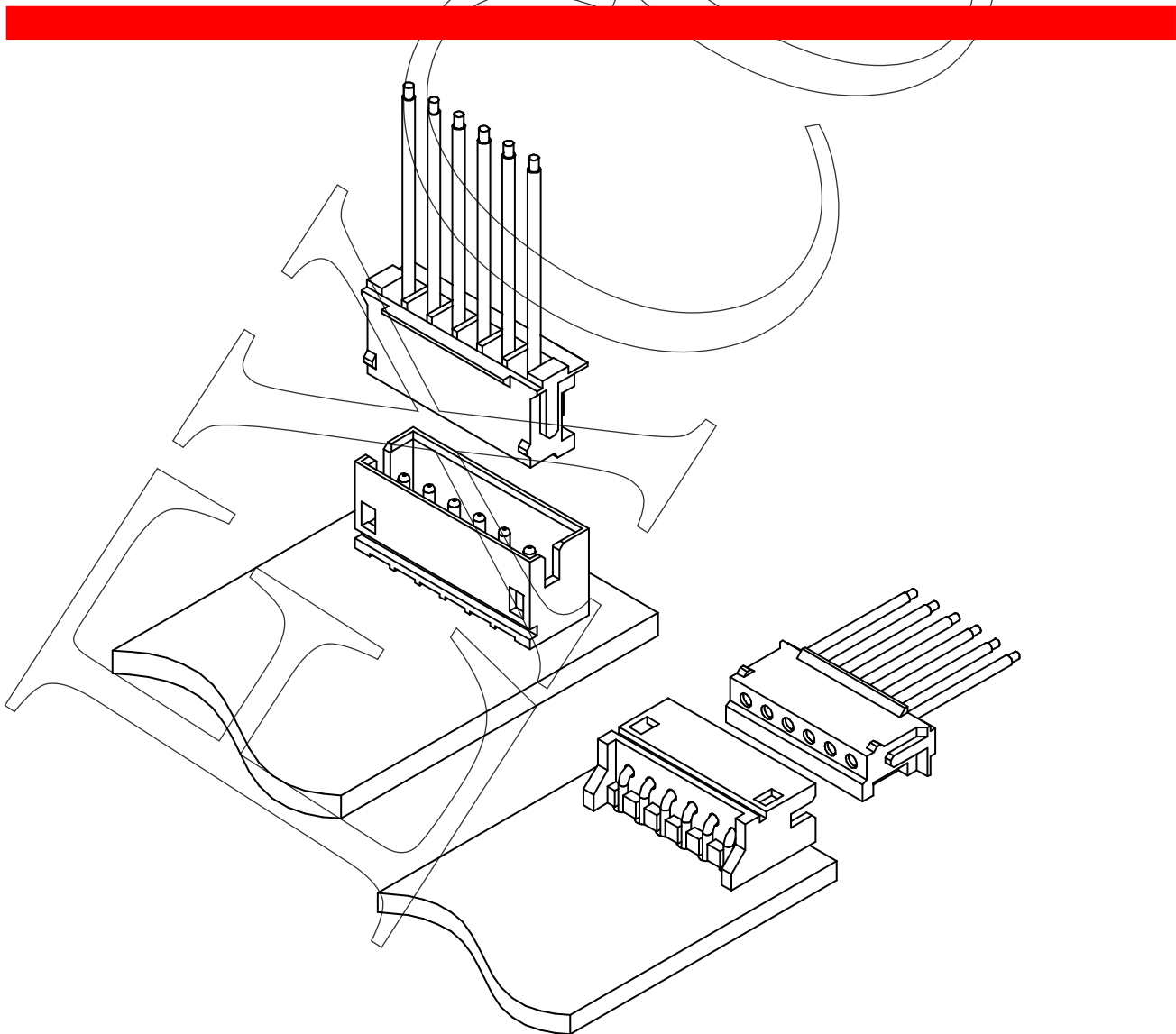
■ Specifications

1. Current rating: 1A AC/DC
2. Voltage rating: 100V AC/DC
3. Withstand voltage: 500V AC/minute
4. Insulation resistance: 500M ohm min
5. Contact resistance: 20m ohm max
6. Temperature range: -25°C to +85°C

7. Applicable PC board thickness:
0.8~1.6mm(.032"to .063")

8. Applicable wires: AWG#30-#26
Insulation O.D.: 0.9-1.3mm

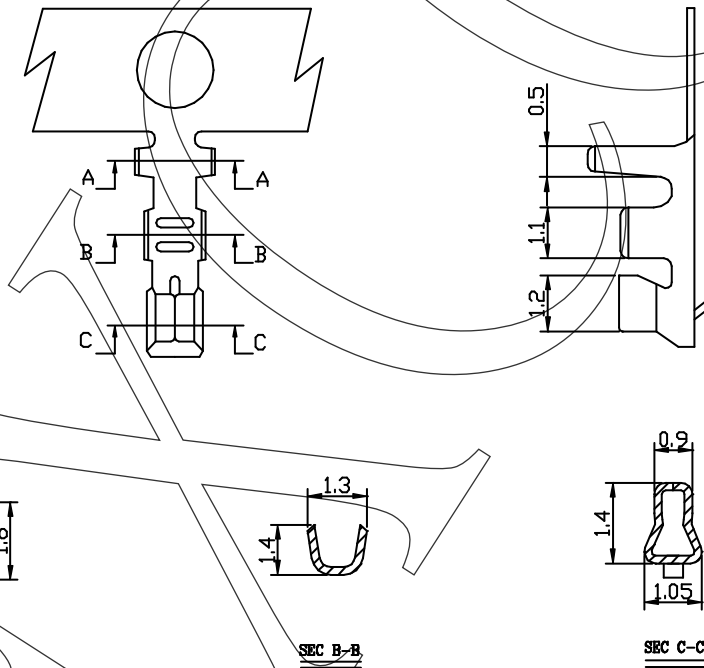
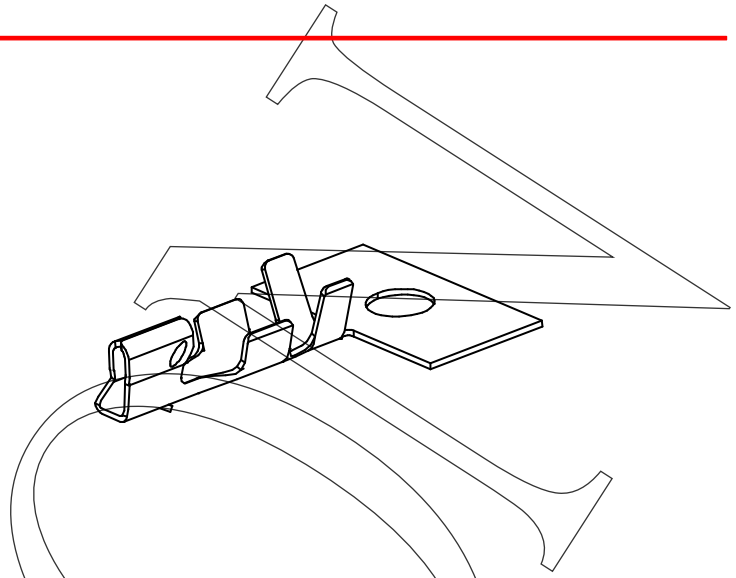
9. Circuits: 2~15 circuits available



1501 SERIES

Crimp Terminal

1. Part No.: 150100TC351
2. Part Name: 1501 Terminal
3. Material: phosphor bronze
4. Finishing: Tin pre-plated



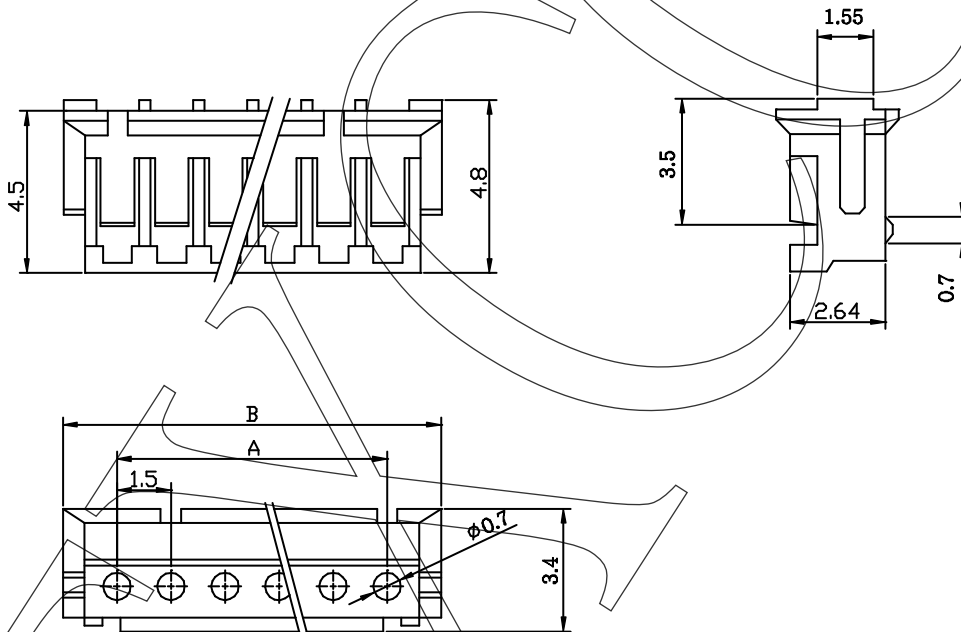
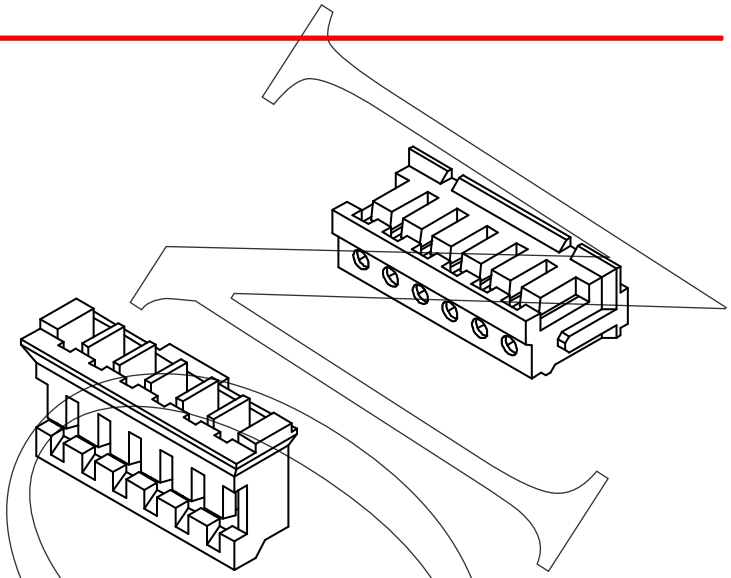
Ordering Information and Dimensions:

Part No.	Wire Range	Insulation O.D.	Material	Finishing	Q'ty/reel
150100TC351	AWG#30~#26	0.9-1.2mm	Phosphor	Tin pre-plated	15,000pcs

1501 SERIES

Housing

1. Part No.: 1501xxHA001
2. Part Name: 1501 Housing
3. Material: Nylon 66 UL 94V0
4. Color: Natural



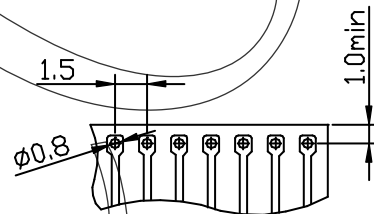
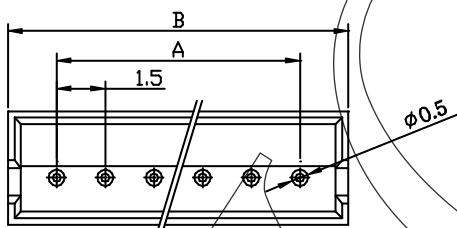
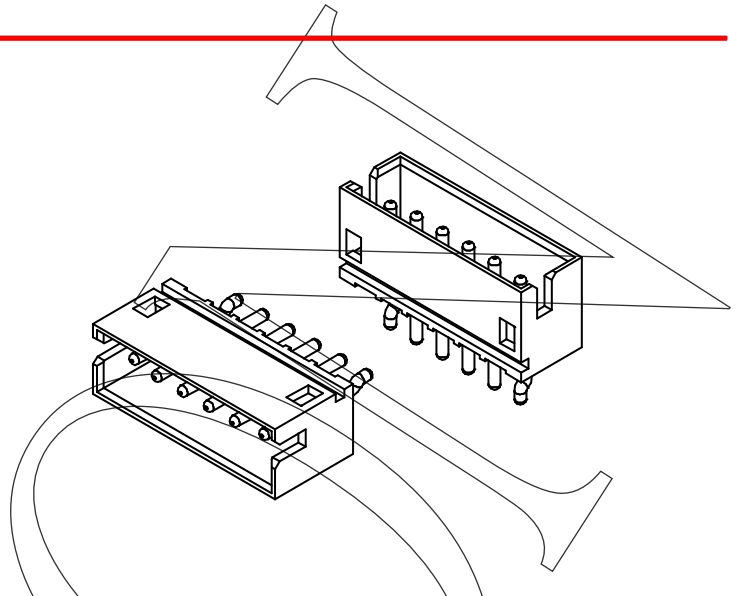
Ordering Information and Dimensions:

Part No.	Circuits	Dim A	Dim B	Part No.	Circuits	Dim A	Dim B
150102HA001	2	1.5	4.5	150110HA001	10	13.5	16.5
150103HA001	3	3.0	6.0	150111HA001	11	15.0	18.0
150104HA001	4	4.5	7.5	150112HA001	12	16.5	19.5
150105HA001	5	6.0	9.0	150113HA001	13	18.0	21.0
150106HA001	6	7.5	10.5	150114HA001	14	19.5	22.5
150107HA001	7	9.0	12.0	150115HA001	15	21.0	24.0
150108HA001	8	10.5	13.5				
150109HA001	9	12.0	15.0				

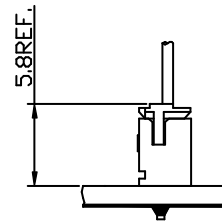
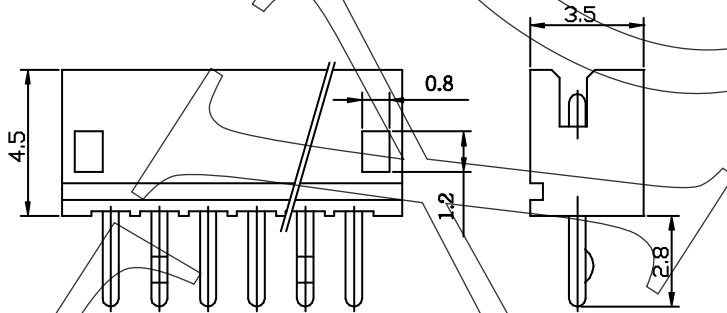
1501 SERIES

Wafer (Vertical type)

1. Part No.: 1501xxWV004
2. Part Name: 1501 Wafer
3. Material: Nylon 66 UL 94V0
Pin: Brass bronze, Tin plated
5. Color: Begie



RECOMMENDED PCB LAYOUT
(PCB T=0.8~1.6mm)



Mating Dimensions

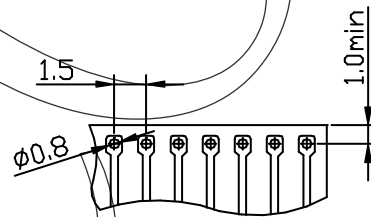
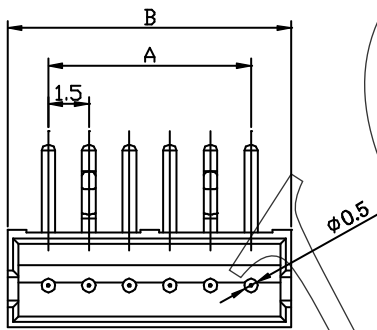
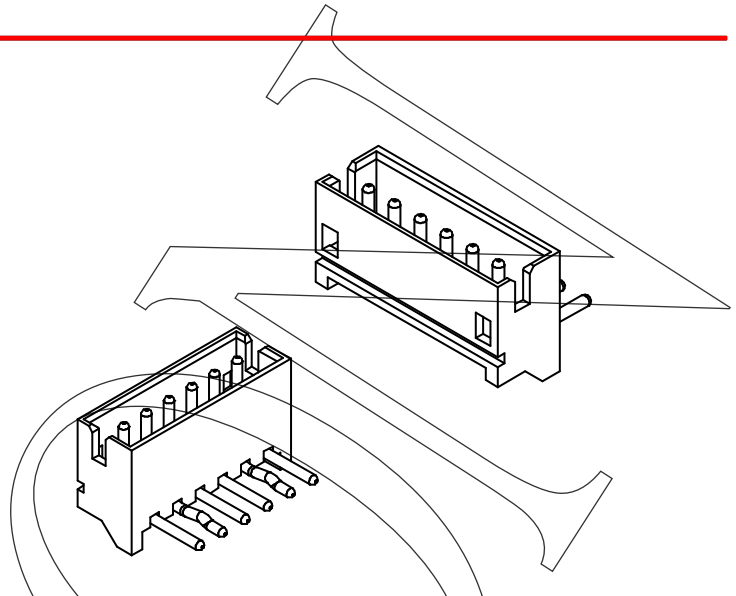
Ordering Information and Dimensions:

Part No.	Circuits	Dim A	Dim B	Part No.	Circuits	Dim A	Dim B
150102WV004	2	1.5	4.5	150110WV004	10	13.5	16.5
150103WV004	3	3.0	6.0	150111WV004	11	15.0	18.0
150104WV004	4	4.5	7.5	150112WV004	12	16.5	19.5
150105WV004	5	6.0	9.0	150113WV004	13	18.0	21.0
150106WV004	6	7.5	10.5	150114WV004	14	19.5	22.5
150107WV004	7	9.0	12.0	150115WV004	15	21.0	24.0
150108WV004	8	10.5	13.5				
150109WV004	9	12.0	15.0				

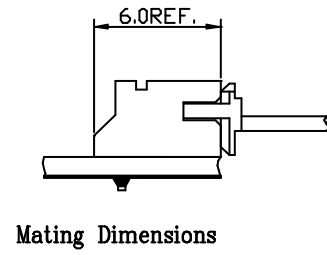
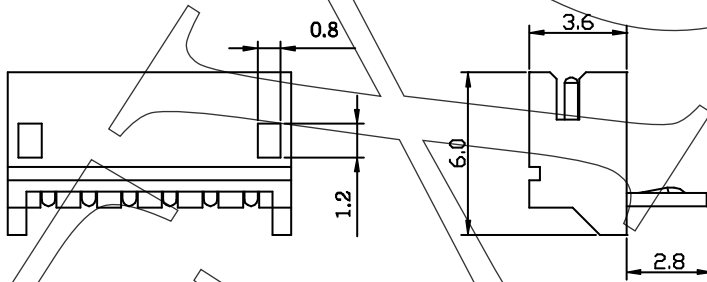
1501 SERIES

Wafer (Right angle type)

1. Part No.: 1501xxWR004
2. Part Name: 1501 Wafer
3. Material: Nylon 66 UL 94V0
Pin: Brass bronze, Tin plated
5. Color: Begie



RECOMMENDED PCB LAYOUT
(PCB T=0.8~1.6mm)



Ordering Information and Dimensions:

Part No.	Circuits	Dim A	Dim B	Part No.	Circuits	Dim A	Dim B
150102WR004	2	1.5	4.5	150110WR004	10	13.5	16.5
150103WR004	3	3.0	6.0	150111WR004	11	15.0	18.0
150104WR004	4	4.5	7.5	150112WR004	12	16.5	19.5
150105WR004	5	6.0	9.0	150113WR004	13	18.0	21.0
150106WR004	6	7.5	10.5	150114WR004	14	19.5	22.5
150107WR004	7	9.0	12.0	150115WR004	15	21.0	24.0
150108WR004	8	10.5	13.5				
150109WR004	9	12.0	15.0				