

2001 SERIES

■ Wire to Board System
pitch 2.0mm(.079")

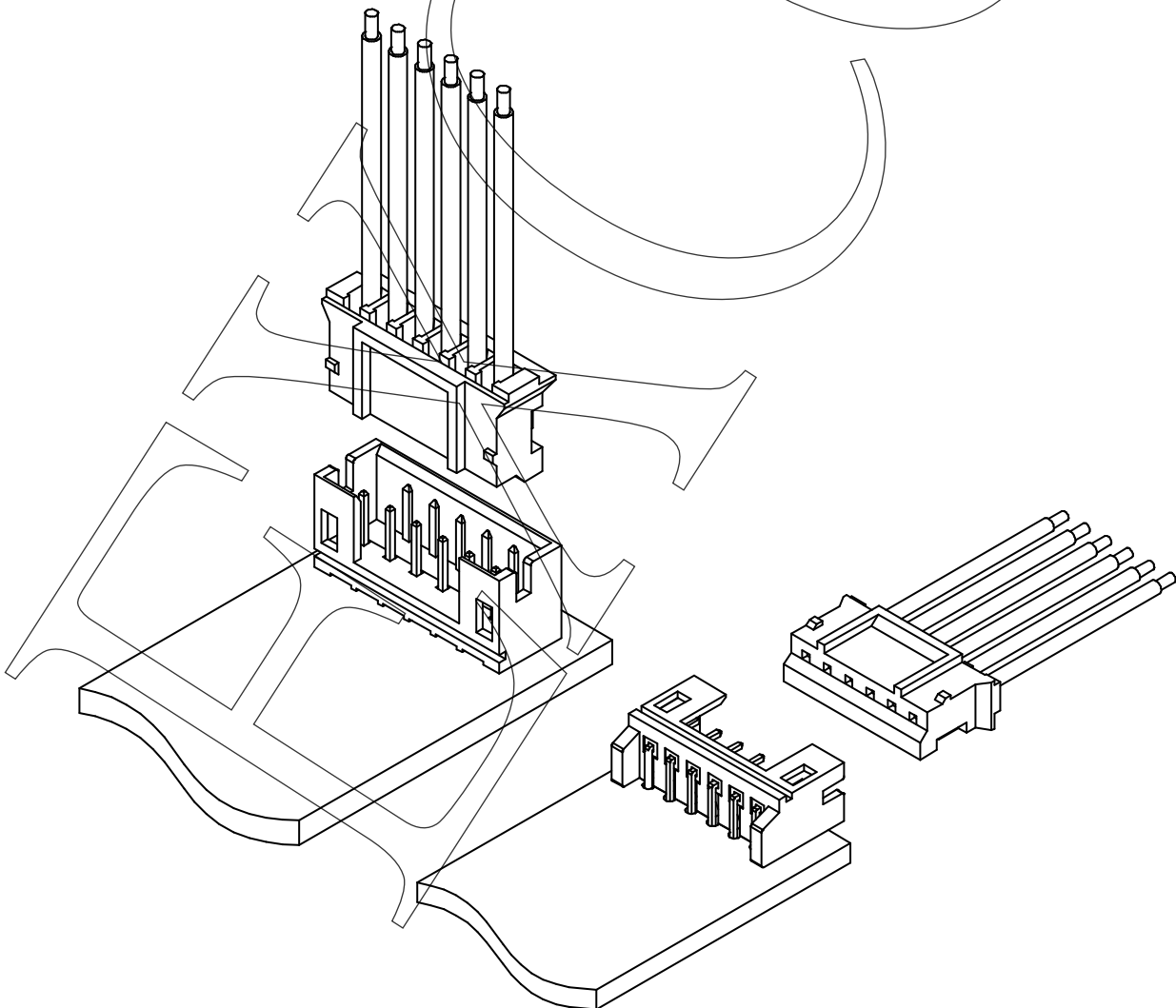
■ Specifications

1. Current rating: 3A AC/DC
2. Voltage rating: 250V AC/DC
3. Withstand voltage: 800V AC/minute
4. Insulation resistance: 1000M ohm min
5. Contact resistance: 10m ohm max
6. Temperature range: -25°C to +85°C

7. Applicable PC board thickness:
0.8~1.6mm(.032" to .063")

8. Applicable wires: AWG#30-#24
Insulation O.D.: 0.9-1.5mm

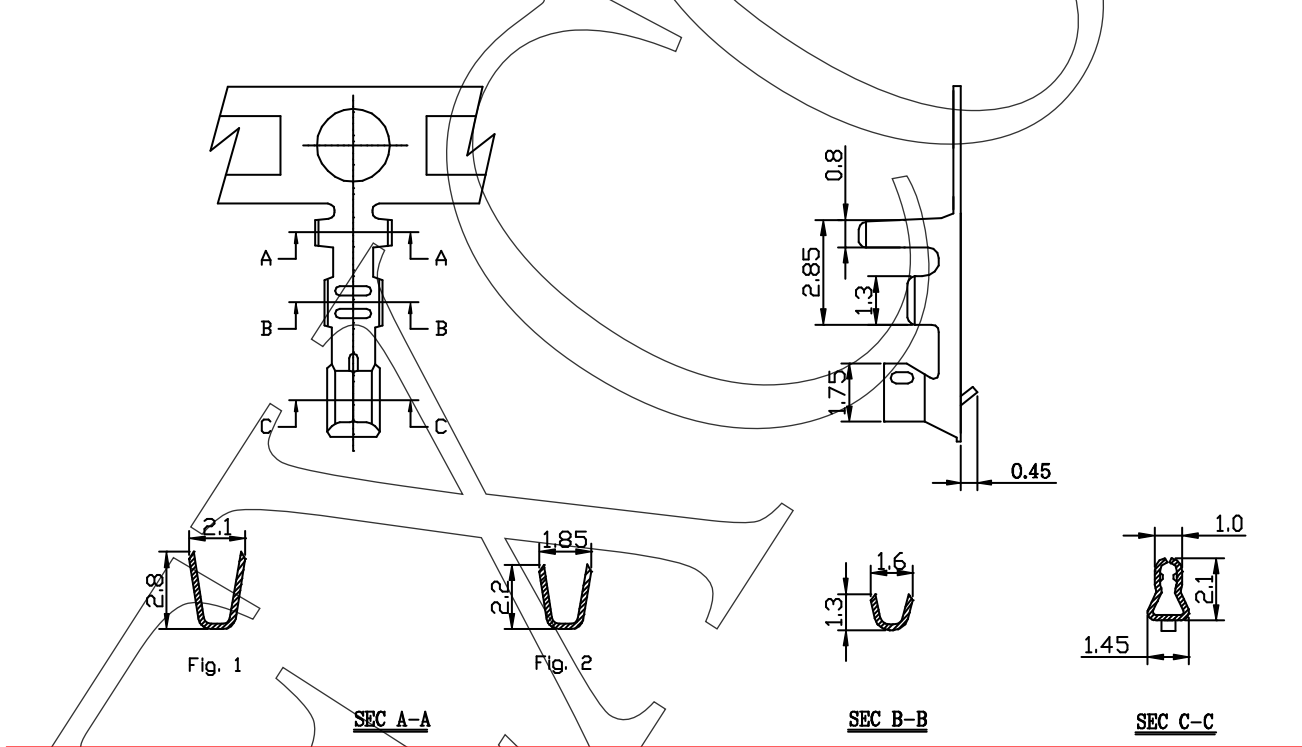
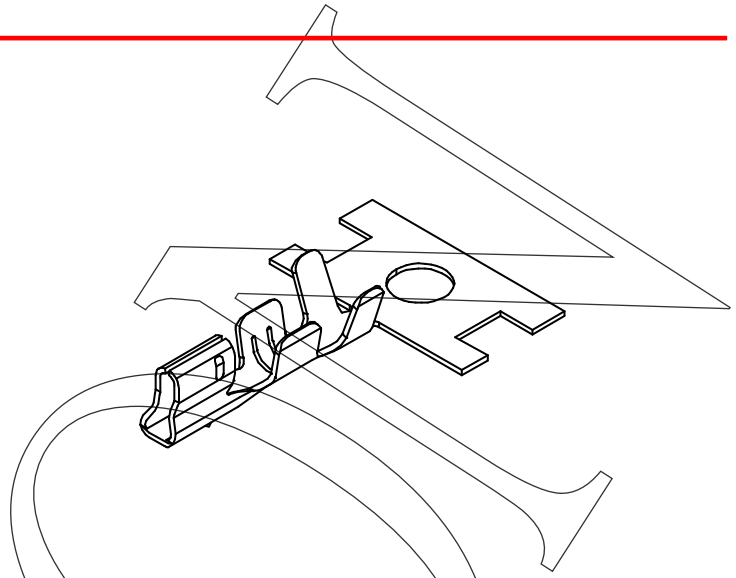
9. Circuits: 2~16 circuits available



2001 SERIES

Crimp Terminal

1. Part No.: 200100TC351,200100TS351
2. Part Name: 2001 Terminal
3. Material: phosphor bronze
4. Finishing: Tin pre-plated



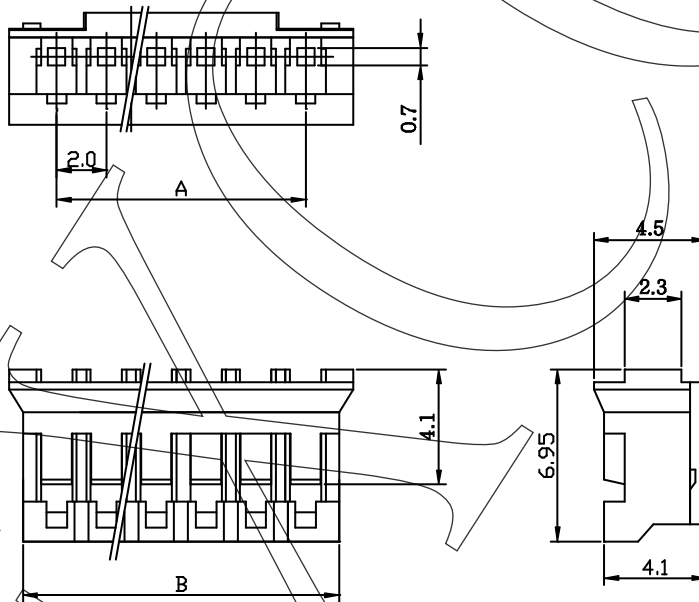
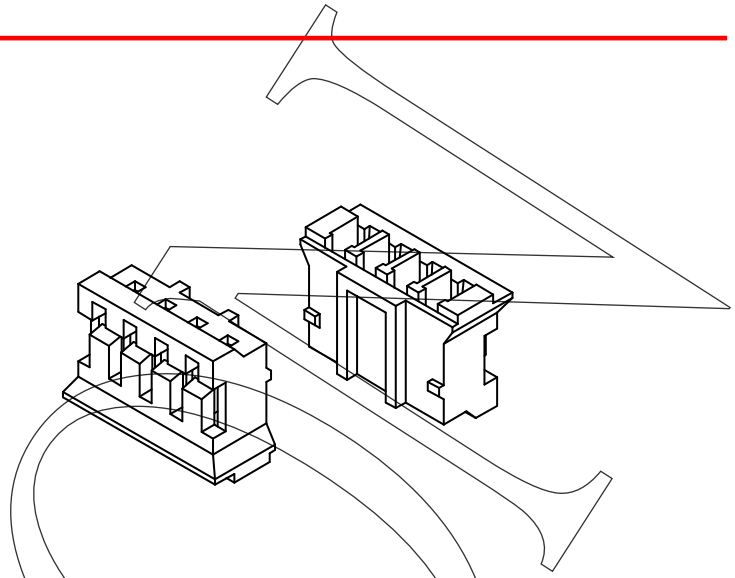
Ordering Information and Dimensions:

Part No.	Wire Range	Insulation O.D.	Material	Finishing	Q'ty/reel	Other
200100TC351	AWG#26~#24	1.3-1.5mm	Phosphor	Tin pre-plated	10,000pcs	Fig. 1
200100TS351	AWG#30~#28	0.9-1.1mm				Fig. 2

2001 SERIES

Housing

1. Part No.: 2001xxHA001
2. Part Name: 2001 Housing
3. Material: Nylon 66 UL 94V0
4. Color: Natural



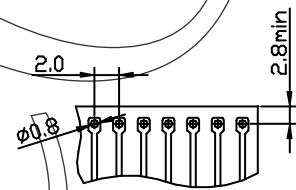
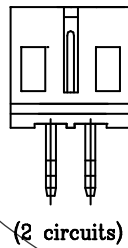
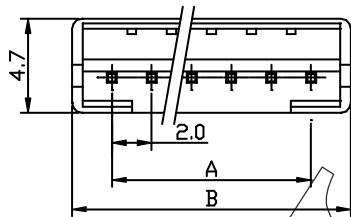
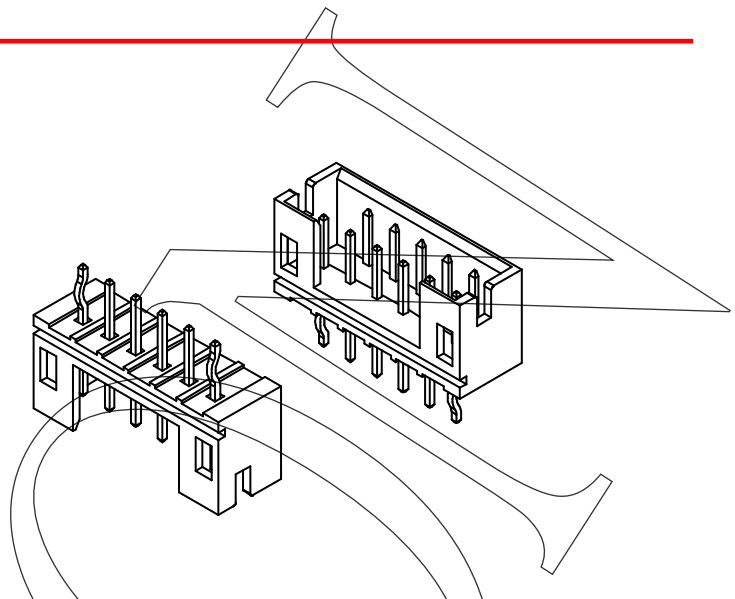
Ordering Information and Dimensions:

Part No.	Circuits	Dim A	Dim B	Part No.	Circuits	Dim A	Dim B
200102HA001	2	2.0	4.7	200110HA001	10	18.0	20.8
200103HA001	3	4.0	6.7	200111HA001	11	20.0	22.8
200104HA001	4	6.0	8.7	200112HA001	12	22.0	24.8
200105HA001	5	8.0	10.7	200113HA001	13	24.0	26.8
200106HA001	6	10.0	12.7	200114HA001	14	26.0	28.8
200107HA001	7	12.0	14.8	200115HA001	15	28.0	30.8
200108HA001	8	14.0	16.8	200116HA001	16	30.0	32.8
200109HA001	9	16.0	18.8				

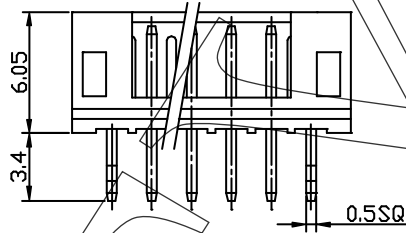
2001 SERIES

Wafer (Vertical type)

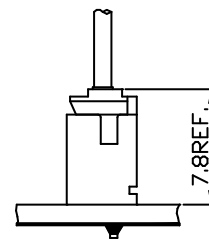
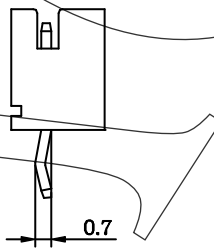
1. Part No.: 2001xxWV001
2. Part Name: 2001 Wafer
3. Material: Nylon 66 UL 94V0
Pin: Brass bronze, Tin plated
5. Color: Natural



RECOMMENDED PCB LAYOUT
(PCB T=0.8~1.6mm)



(3~16 circuits)



Mating Dimensions

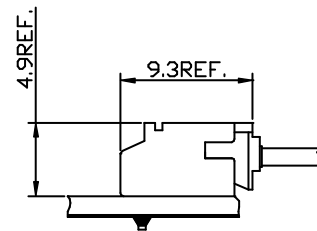
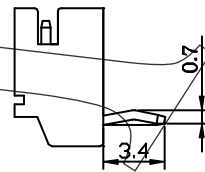
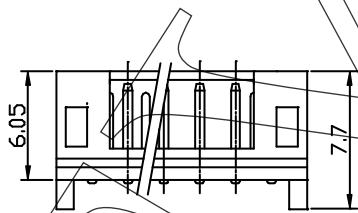
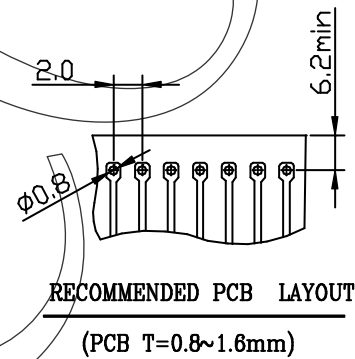
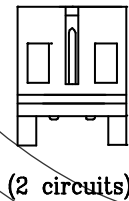
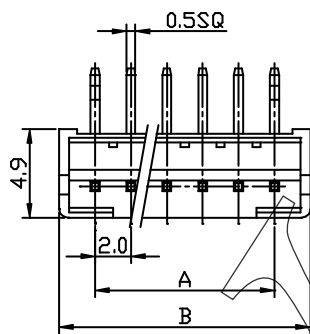
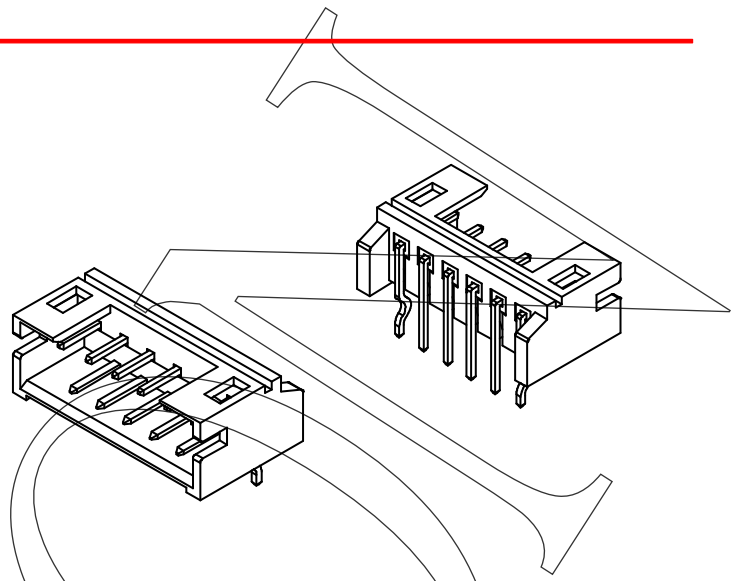
Ordering Information and Dimensions:

Part No.	Circuits	Dim A	Dim B	Part No.	Circuits	Dim A	Dim B
200102WV001	2	2.0	6.0	200110WV001	10	18.0	22.0
200103WV001	3	4.0	8.0	200111WV001	11	20.0	24.0
200104WV001	4	6.0	10.0	200112WV001	12	22.0	28.0
200105WV001	5	8.0	12.0	200113WV001	13	24.0	28.0
200106WV001	6	10.0	14.0	200114WV001	14	26.0	30.0
200107WV001	7	12.0	16.0	200115WV001	15	28.0	32.0
200108WV001	8	14.0	18.0	200116WV001	16	30.0	34.0
200109WV001	9	16.0	20.0				

2001 SERIES

Wafer (Right angle type)

1. Part No.: 2001xxWR001
2. Part Name: 2001 Wafer
3. Material: Nylon 66 UL 94V0
Pin: Brass bronze, Tin plated
4. Color: Natural



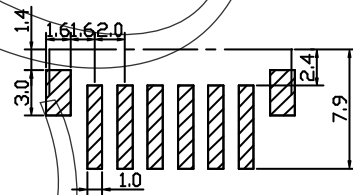
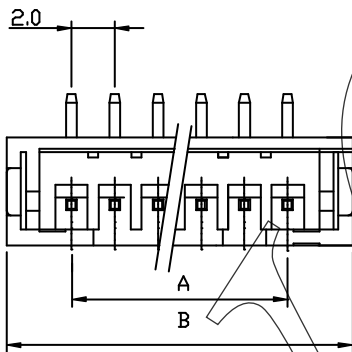
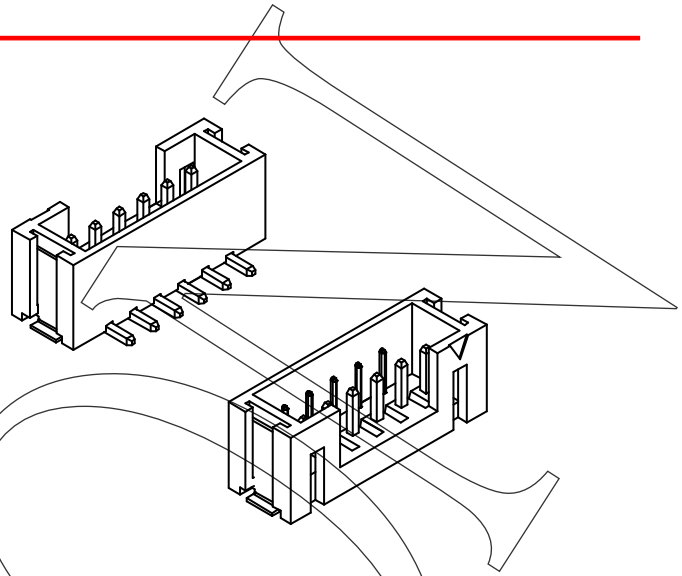
Ordering Information and Dimensions:

Part No.	Circuits	Dim A	Dim B	Part No.	Circuits	Dim A	Dim B
200102WR001	2	2.0	6.0	200110WR001	10	18.0	22.0
200103WR001	3	4.0	8.0	200111WR001	11	20.0	24.0
200104WR001	4	6.0	10.0	200112WR001	12	22.0	28.0
200105WR001	5	8.0	12.0	200113WR001	13	24.0	28.0
200106WR001	6	10.0	14.0	200114WR001	14	26.0	30.0
200107WR001	7	12.0	16.0	200115WR001	15	28.0	32.0
200108WR001	8	14.0	18.0	200116WR001	16	30.0	34.0
200109WR001	9	16.0	20.0				

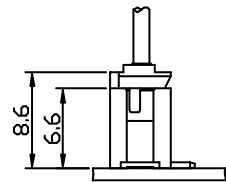
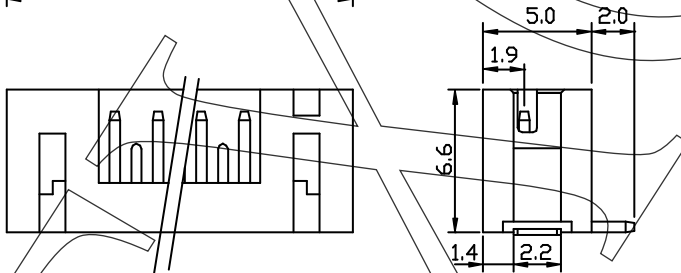
2001 SERIES

Wafer (SMT Vertical type)

1. Part No.: 2001xxWD101
2. Part Name: 2001 Wafer
3. Material: Nylon 46 UL 94V0
Pin: Brass bronze, Tin plated
4. Color: Begie



RECOMMENDED PCB LAYOUT



Mating Dimensions

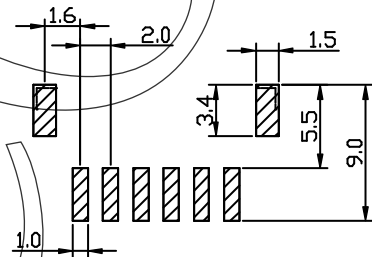
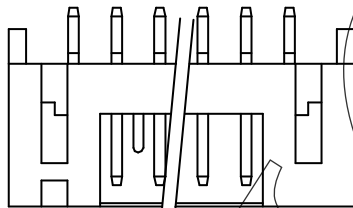
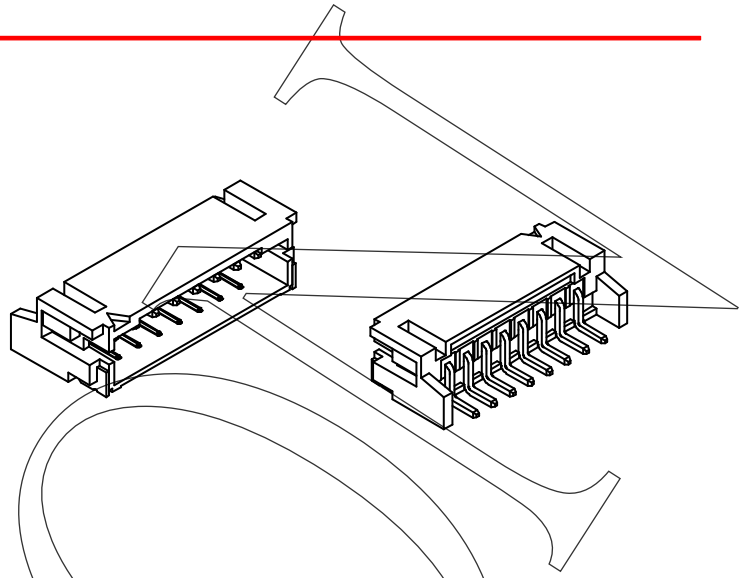
Ordering Information and Dimensions:

Part No.	Circuits	Dim A	Dim B	Part No.	Circuits	Dim A	Dim B
200102WD101	2	2.0	7.95	200110WD101	10	18.0	23.95
200103WD101	3	4.0	9.95	200111WD101	11	20.0	25.95
200104WD101	4	6.0	11.95	200112WD101	12	22.0	27.95
200105WD101	5	8.0	13.95	200113WD101	13	24.0	29.95
200106WD101	6	10.0	15.95	200114WD101	14	26.0	31.95
200107WD101	7	12.0	17.95	200115WD101	15	28.0	33.95
200108WD101	8	14.0	19.95	200116WD101	16	30.0	35.95
200109WD101	9	16.0	21.95				

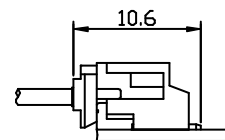
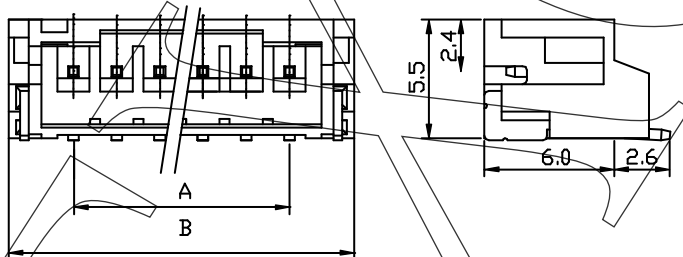
2001 SERIES

Wafer (SMT Right angle type)

1. Part No.: 2001xxWE101
2. Part Name: 2001 Wafer
3. Material: Nylon 46 UL 94V0
Pin: Brass bronze, Tin plated
4. Color: Begie



RECOMMENDED PCB LAYOUT



Mating Dimensions

Ordering Information and Dimensions:

Part No.	Circuits	Dim A	Dim B	Part No.	Circuits	Dim A	Dim B
200102WE101	2	2.0	7.9	200110WE101	10	18.0	23.9
200103WE101	3	4.0	9.9	200111WE101	11	20.0	25.9
200104WE101	4	6.0	11.9	200112WE101	12	22.0	27.9
200105WE101	5	8.0	13.9	200113WE101	13	24.0	29.9
200106WE101	6	10.0	15.9	200114WE101	14	26.0	31.9
200107WE101	7	12.0	17.9	200115WE101	15	28.0	33.9
200108WE101	8	14.0	19.9	200116WE101	16	30.0	35.9
200109WE101	9	16.0	21.9				