

## 2007 SERIES

■ Wire to Board System  
pitch 2.0mm(.079")

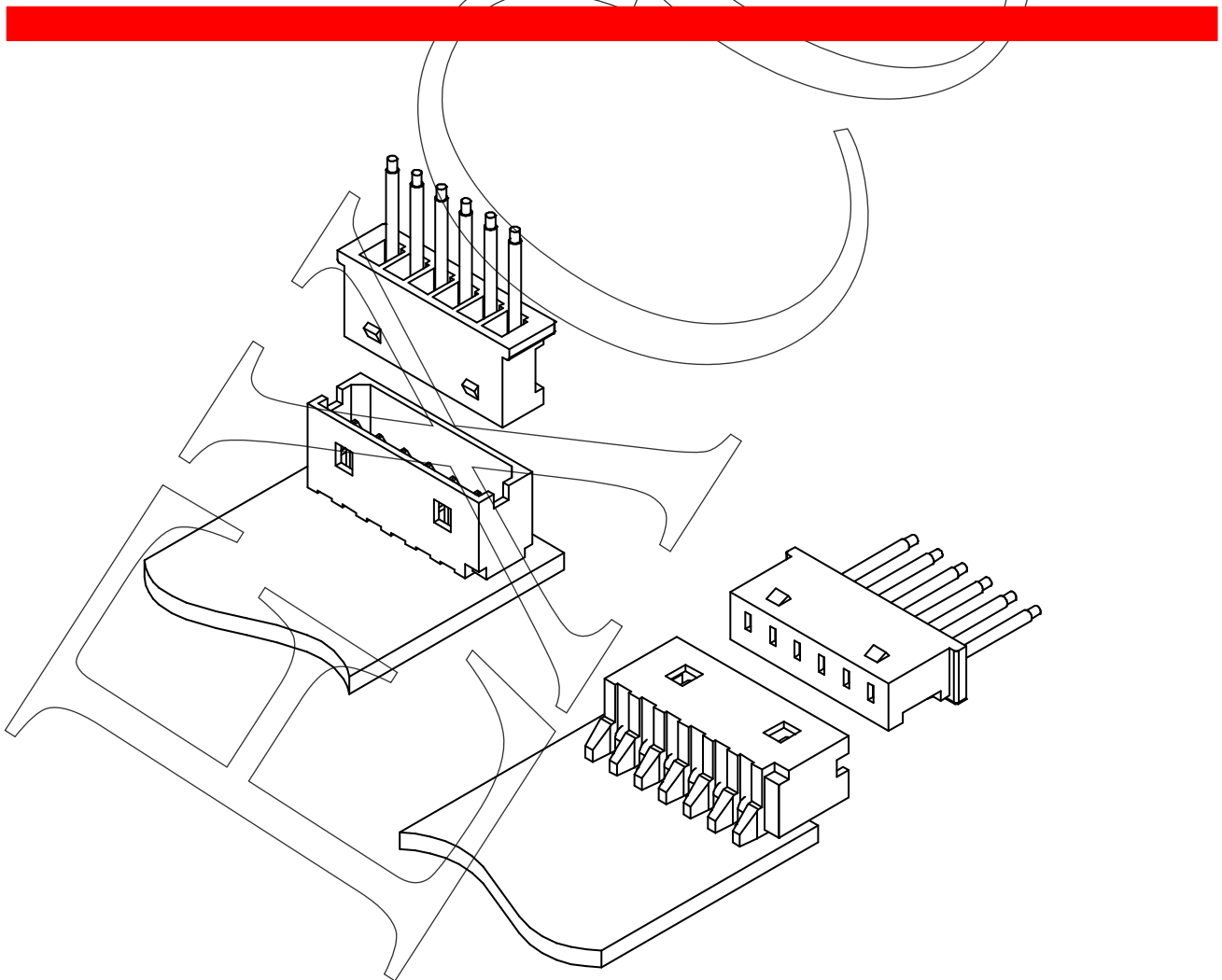
■ Specifications

1. Current rating: 3A AC/DC
2. Voltage rating: 250V AC/DC
3. Withstand voltage: 800V AC/minute
4. Insulation resistance: 1000M ohm min
5. Contact resistance: 20m ohm max
6. Temperature range: -25°C to +85°C

7. Applicable PC board thickness:  
0.8~1.6mm(.032"to .063")

8. Applicable wires: AWG#28-#24  
Insulation O.D.: 1.1-1.5mm

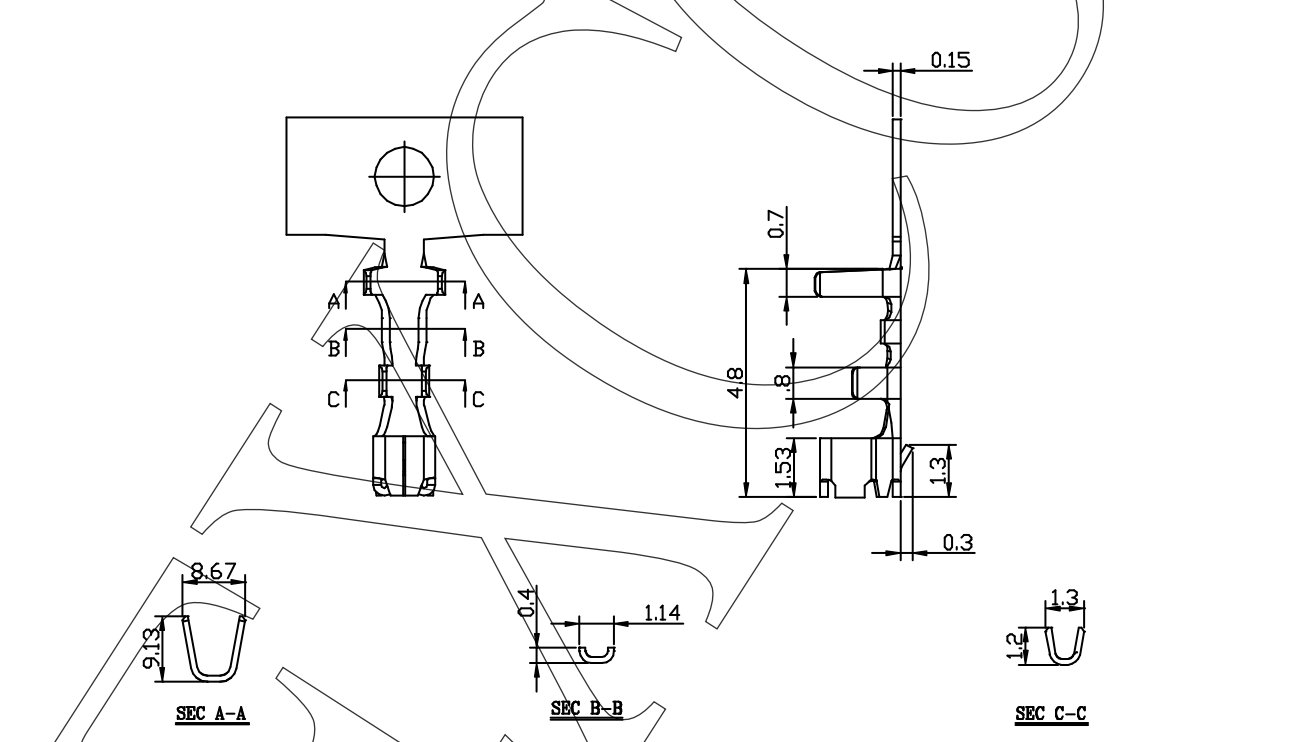
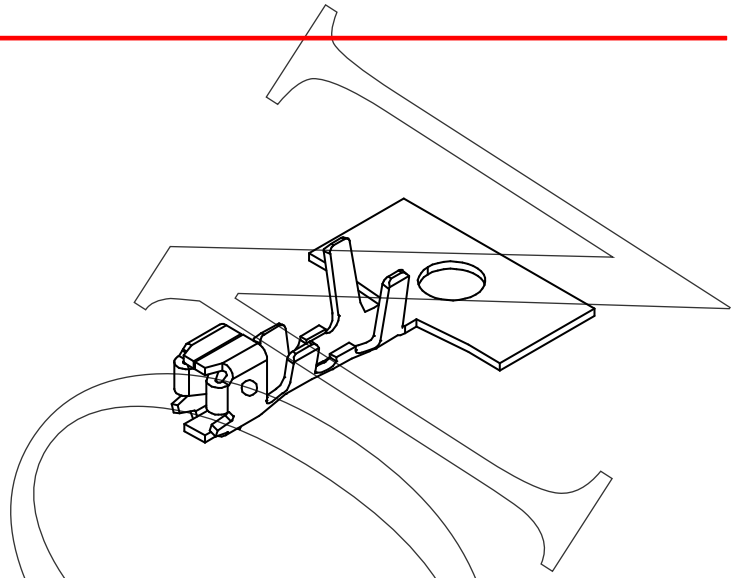
9. Circuits: 2~15 circuits available



## 2007 SERIES

### Crimp Terminal

1. Part No.: 200700TC351
2. Part Name: 2007 Terminal
3. Material: phosphor bronze
4. Finishing: Tin pre-plated 50u"min



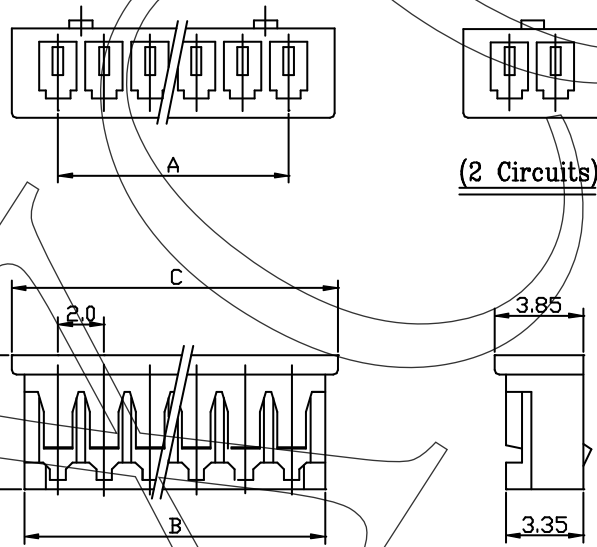
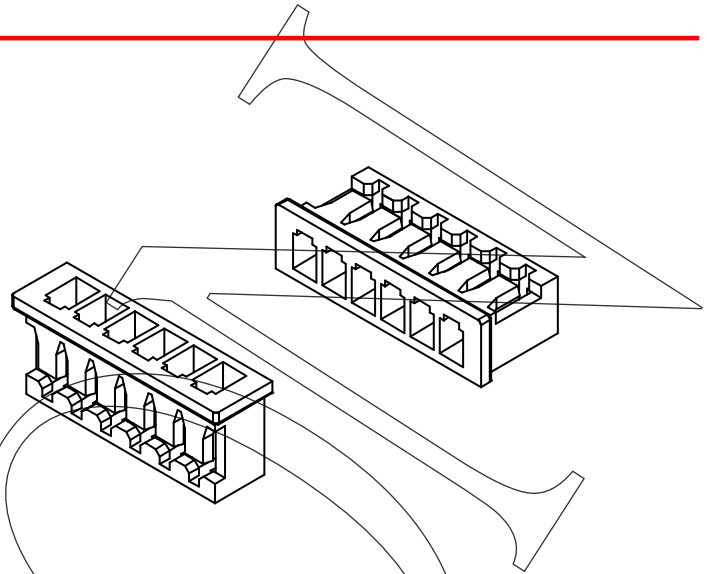
### Ordering Information and Dimensions:

Part No.	Wire Range	Insulation O.D.	Material	Finishing	Q'ty/reel
200700TC351	AWG#28~#24	1.1-1.5mm	Phosphor	Tin pre-plated	10,000pcs

## 2007 SERIES

### Housing

1. Part No.: 2007xxHA001
2. Part Name: 2007 Housing
3. Material: Nylon 66 UL 94V0
4. Color: Natural



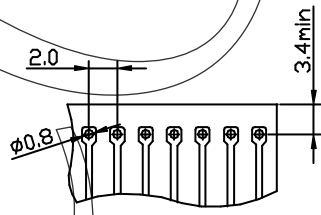
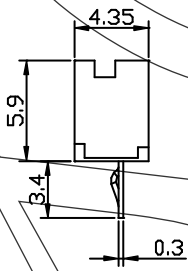
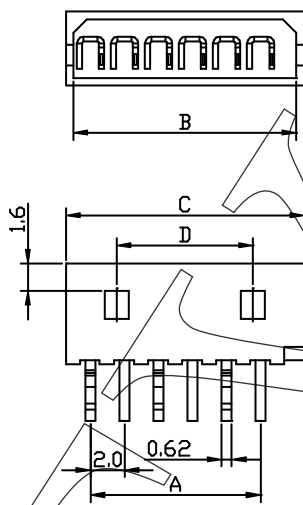
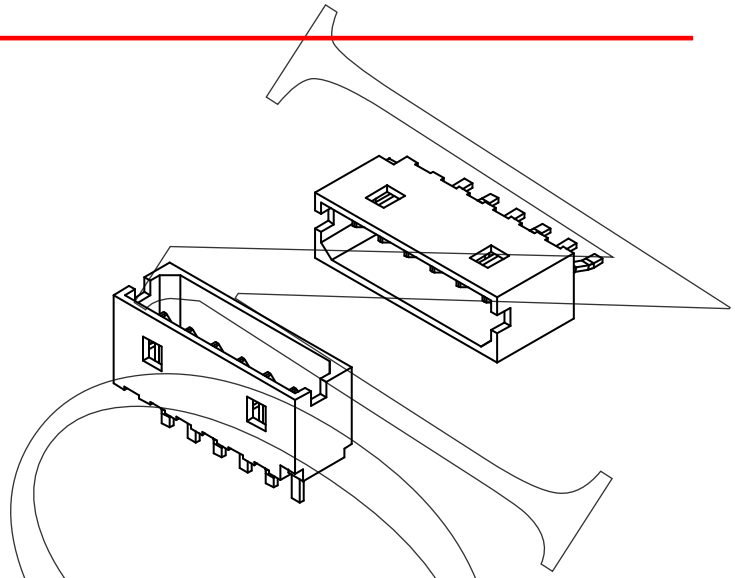
### Ordering Information and Dimensions:

Part No.	Circuits	Dim A	Dim B	Dim C	Part No.	Circuits	Dim A	Dim B	Dim C
200702HA001	2	2.0	4.9	6.0	200710HA001	10	18.0	20.9	22.0
200703HA001	3	4.0	6.9	8.0	200711HA001	11	20.0	22.9	24.0
200704HA001	4	6.0	8.9	10.0	200712HA001	12	22.0	24.9	26.0
200705HA001	5	8.0	10.9	12.0	200713HA001	13	24.0	26.9	28.0
200706HA001	6	10.0	12.9	14.0	200714HA001	14	26.0	28.9	30.0
200707HA001	7	12.0	14.9	16.0	200715HA001	15	28.0	30.9	32.0
200708HA001	8	14.0	16.9	18.0					
200709HA001	9	16.0	18.9	20.0					

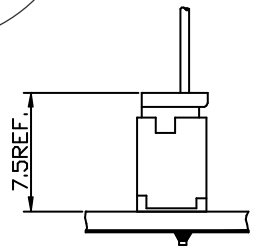
## 2007 SERIES

Wafer (Vertical type)

1. Part No.: 2007xxWV001
2. Part Name: 2007 Wafer
3. Material: Nylon 66 UL 94V0  
Pin: Brass bronze, Tin Plated
5. Color: Natural



**RECOMMENDED PCB LAYOUT**  
(PCB T=0.8~1.6mm)



**Mating Dimensions**

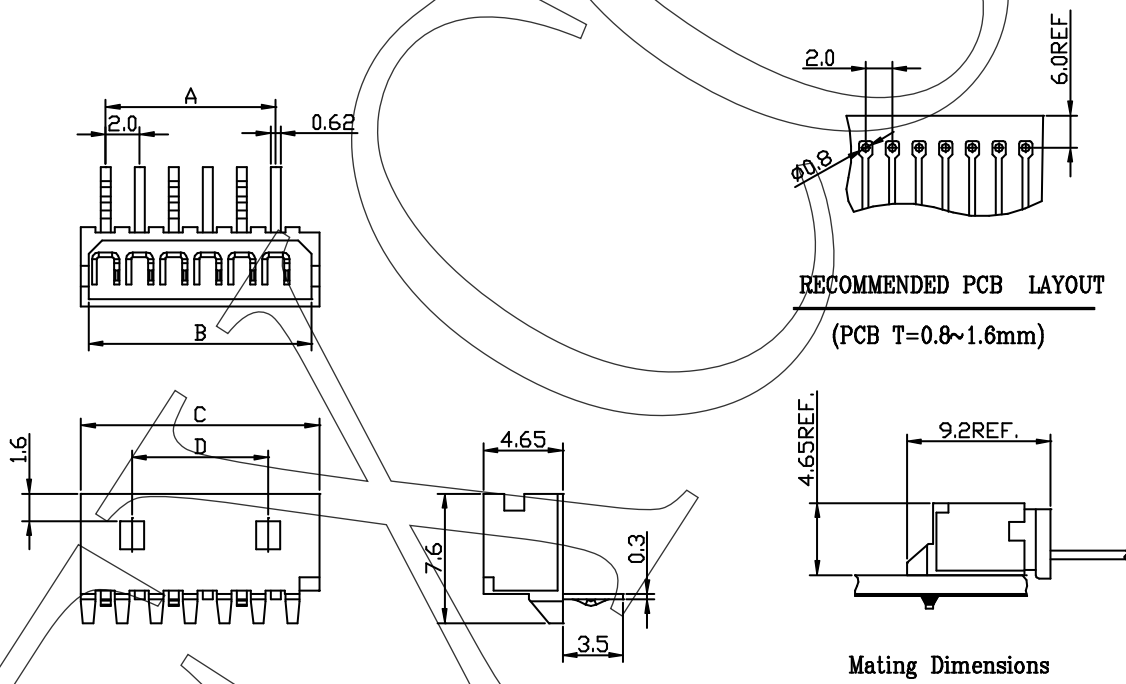
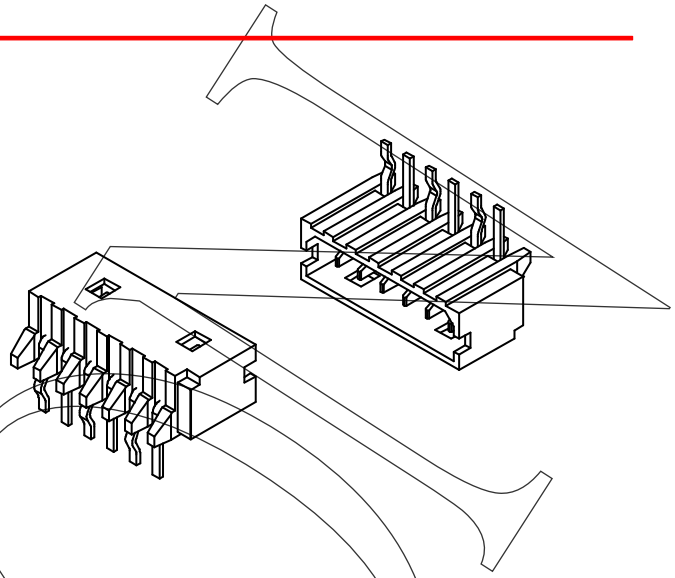
### Ordering Information and Dimensions:

Part No.	Circuits	Dim A	Dim B	Dim C	Dim D	Part No.	Circuits	Dim A	Dim B	Dim C	Dim D
200702WV001	2	2.0	5.1	6.0	--	200710WV001	10	18.0	21.1	22.0	16.0
200703WV001	3	4.0	7.1	8.0	--	200711WV001	11	20.0	23.1	24.0	18.0
200704WV001	4	6.0	9.1	10.0	4.0	200712WV001	12	22.0	25.1	26.0	20.0
200705WV001	5	8.0	11.1	12.0	6.0	200713WV001	13	24.0	27.1	28.0	22.0
200706WV001	6	10.0	13.1	14.0	8.0	200714WV001	14	26.0	29.1	30.0	24.0
200707WV001	7	12.0	15.1	16.0	10.0	200715WV001	15	28.0	31.1	32.0	26.0
200708WV001	8	14.0	17.1	18.0	12.0						
200709WV001	9	16.0	19.1	20.0	14.0						

## 2007 SERIES

Wafer (Right angle type)

1. Part No.: 2007xxWR001
2. Part Name: 2007 Wafer
3. Material: Nylon 66 UL 94V0  
Pin: Brass bronze, Tin plated
4. Color: Natural



### Ordering Information and Dimensions:

Part No.	Circuits	Dim A	Dim B	Dim C	Dim D	Part No.	Circuits	Dim A	Dim B	Dim C	Dim D
200702WR001	2	2.0	5.1	6.0	--	200710WR001	10	18.0	21.1	22.0	16.0
200703WR001	3	4.0	7.1	8.0	--	200711WR001	11	20.0	23.1	24.0	18.0
200704WR001	4	6.0	9.1	10.0	4.0	200712WR001	12	22.0	25.1	26.0	20.0
200705WR001	5	8.0	11.1	12.0	6.0	200713WR001	13	24.0	27.1	28.0	22.0
200706WR001	6	10.0	13.1	14.0	8.0	200714WR001	14	26.0	29.1	30.0	24.0
200707WR001	7	12.0	15.1	16.0	10.0	200715WR001	15	28.0	31.1	32.0	26.0
200708WR001	8	14.0	17.1	18.0	12.0						
200709WR001	9	16.0	19.1	20.0	14.0						