

2008 SERIES

■ Wire to Board System
pitch 2.0mm(.079")

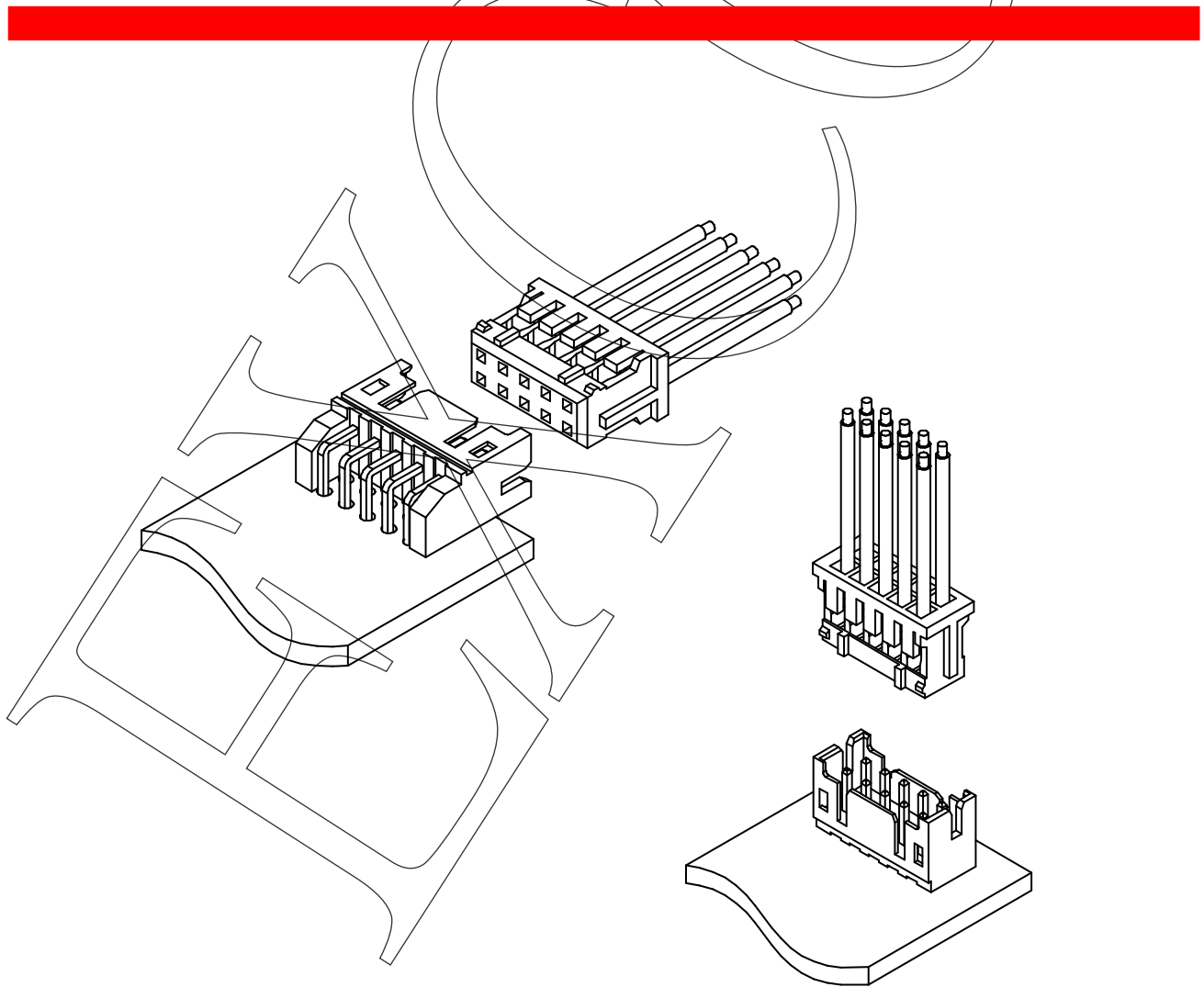
■ Specifications

1. Current rating: 3A AC/DC
2. Voltage rating: 250V AC/DC
3. Withstand voltage: 800V AC/minute
4. Insulation resistance: 1000M ohm min
5. Contact resistance: 10m ohm max
6. Temperature range: -25°C to +85°C

7. Applicable PC board thickness:
0.8~1.6mm(.032" to .063")

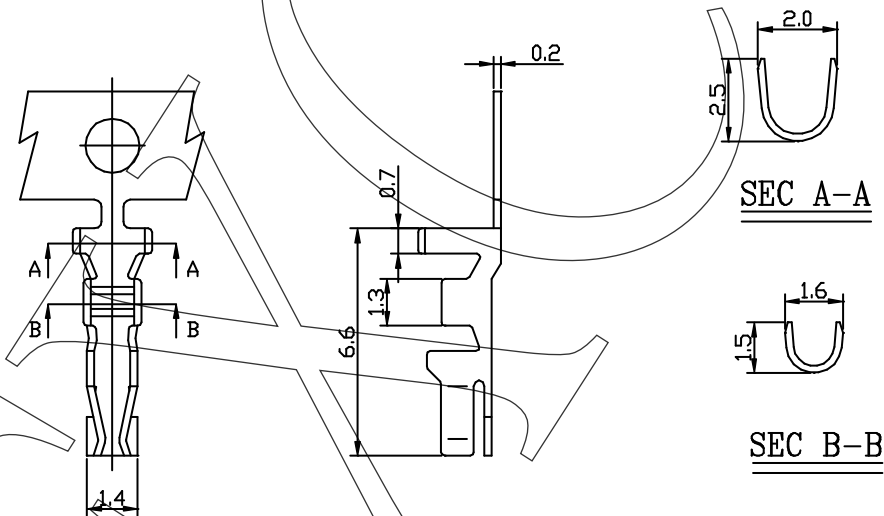
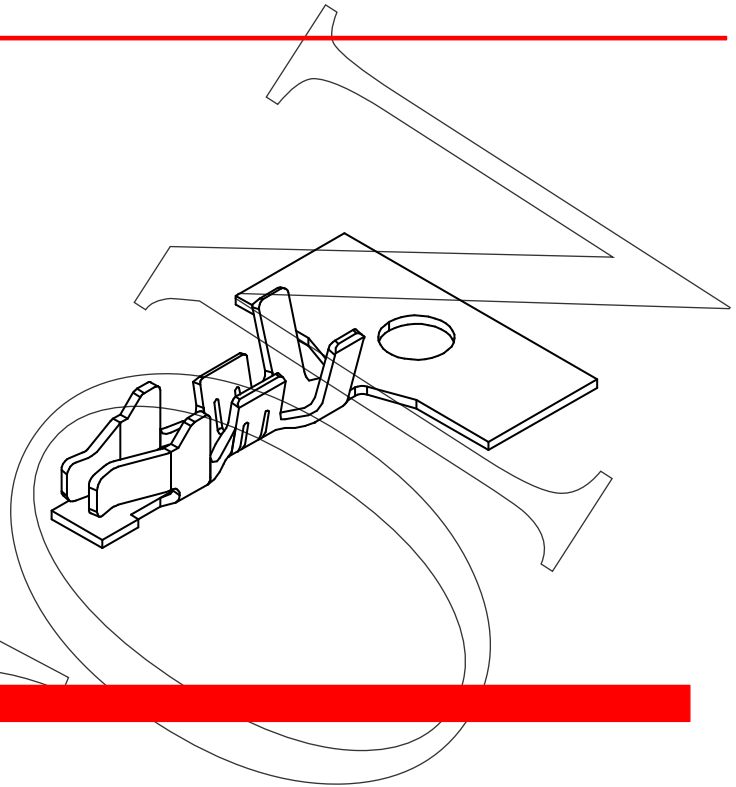
8. Applicable wires: AWG#28-#24
Insulation O.D.: 0.9-1.5mm

9. Circuits: 10~32 circuits available



2008 SERIES**Crimp Terminal**

1. Part No.: 200800TC351
2. Part Name: 2008 Terminal
3. Material: phosphor bronze
4. Finishing: Tin pre-plated

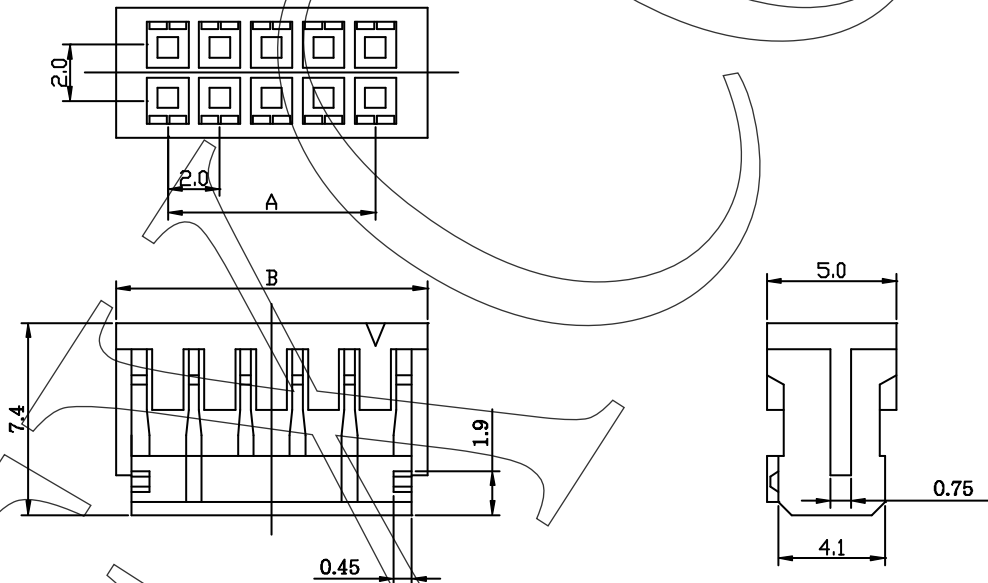
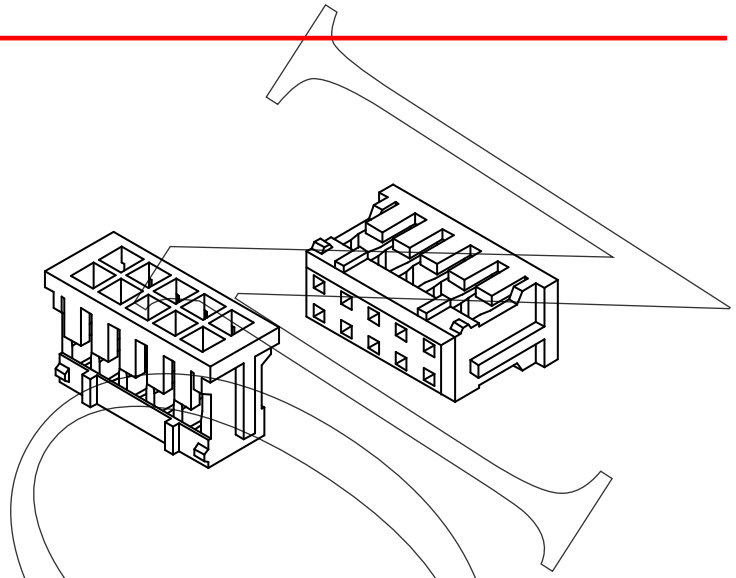
**Ordering Information and Dimensions:**

Part No.	Wire Range	Insulation O.D.	Material	Finishing	Q'ty/reel
200800TC351	AWG#28~#24	0.9-1.5mm	Phosphor	Tin pre-plated	10,000pcs

2008 SERIES

Housing

1. Part No.: 2008xxHA001/003
2. Part Name: 2008 Housing
3. Material: Nylon 66 UL 94V0
4. Color: Natural, Black



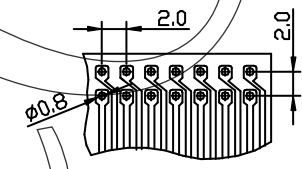
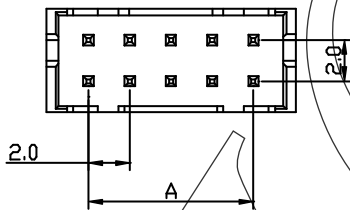
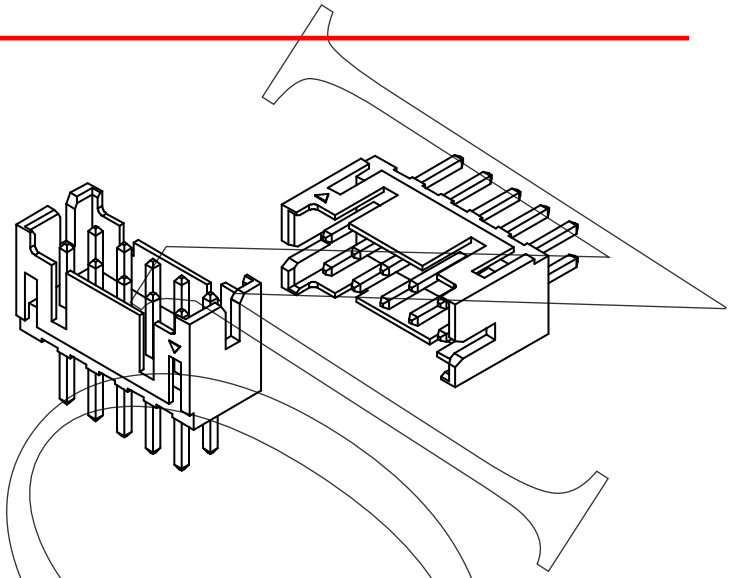
Ordering Information and Dimensions:

Part No.	Circuits	Dim A	Dim B	Part No.	Circuits	Dim A	Dim B
200810HA001	10	8.0	10.0	200822HA001	22	20.0	22.0
200812HA001	12	10.0	12.0	200824HA001	24	22.0	24.0
200814HA001	14	12.0	14.0	200826HA001	26	24.0	26.0
200816HA001	16	14.0	16.0	200828HA001	28	26.0	28.0
200818HA001	18	16.0	18.0	200830HA001	30	28.0	30.0
200820HA001	20	18.0	20.0	200832HA001	32	30.0	32.0

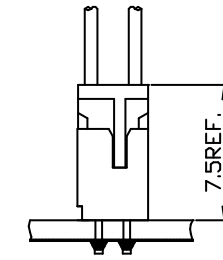
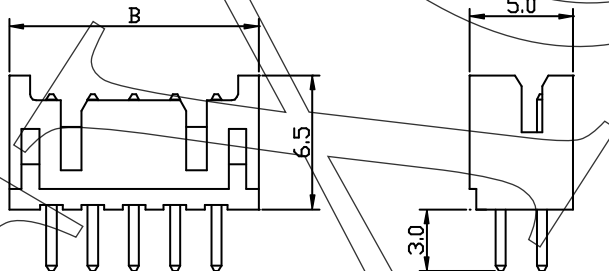
2008 SERIES

Wafer (Vertical type)

1. Part No.: 2008xxWV001
2. Part Name: 2008 Wafer
3. Material: Nylon 66 UL 94V0
Pin: Brass bronze, Tin plated
5. Color: Natural



RECOMMENDED PCB LAYOUT
(PCB T=0.8~1.6mm)



Mating Dimensions

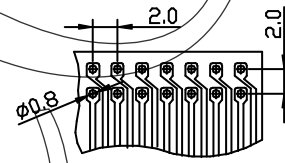
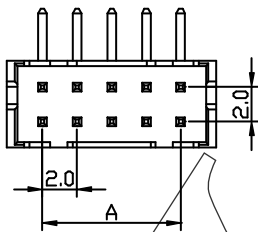
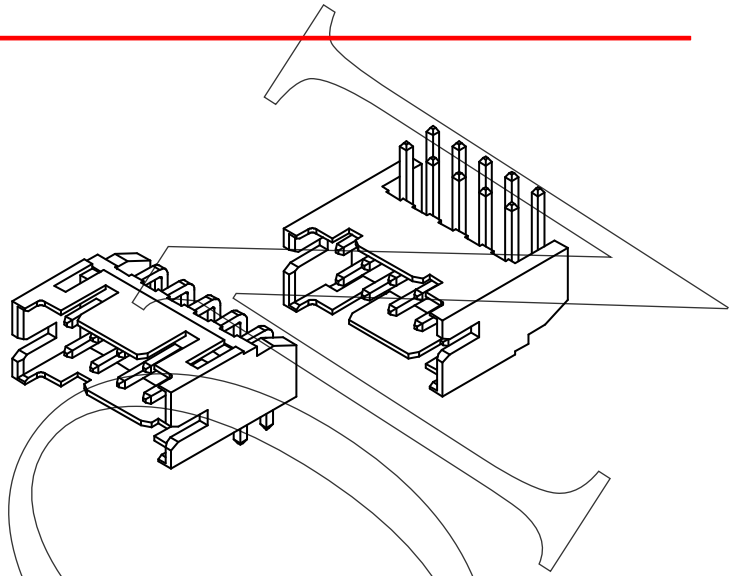
Ordering Information and Dimensions:

Part No.	Circuits	Dim A	Dim B	Part No.	Circuits	Dim A	Dim B
200810WV001	10	8.0	12.0	200822WV001	22	20.0	24.0
200812WV001	12	10.0	14.0	200824WV001	24	22.0	26.0
200814WV001	14	12.0	16.0	200826WV001	26	24.0	28.0
200816WV001	16	14.0	18.0	200828WV001	28	26.0	30.0
200818WV001	18	16.0	20.0	200830WV001	30	28.0	32.0
200820WV001	20	18.0	22.0	200832WV001	32	30.0	34.0

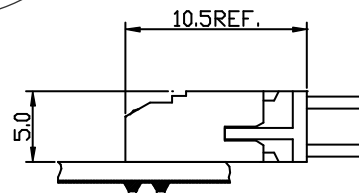
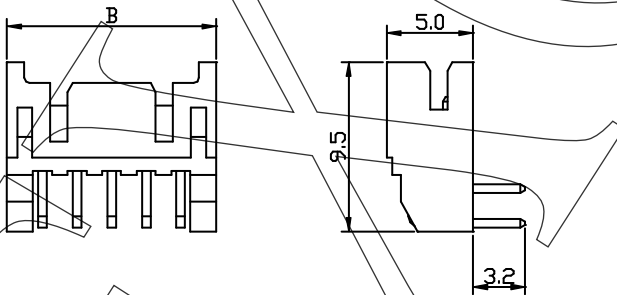
2008 SERIES

Wafer (Right angle type)

1. Part No.: 2008xxWR001
2. Part Name: 2008 Wafer
3. Material: Nylon 66 UL 94V0
Pin: Brass bronze, Tin plated
4. Color: Natural



RECOMMENDED PCB LAYOUT
(PCB T=0.8~1.6mm)



Mating Dimensions

Ordering Information and Dimensions:

Part No.	Circuits	Dim A	Dim B	Part No.	Circuits	Dim A	Dim B
200810WR001	10	8.0	12.0	200822WR001	22	20.0	24.0
200812WR001	12	10.0	14.0	200824WR001	24	22.0	26.0
200814WR001	14	12.0	16.0	200826WR001	26	24.0	28.0
200816WR001	16	14.0	18.0	200828WR001	28	26.0	30.0
200818WR001	18	16.0	20.0	200830WR001	30	28.0	32.0
200820WR001	20	18.0	22.0	200832WR001	32	30.0	34.0