

2502 SERIES

■ Board In System
pitch 2.5 mm(.098")

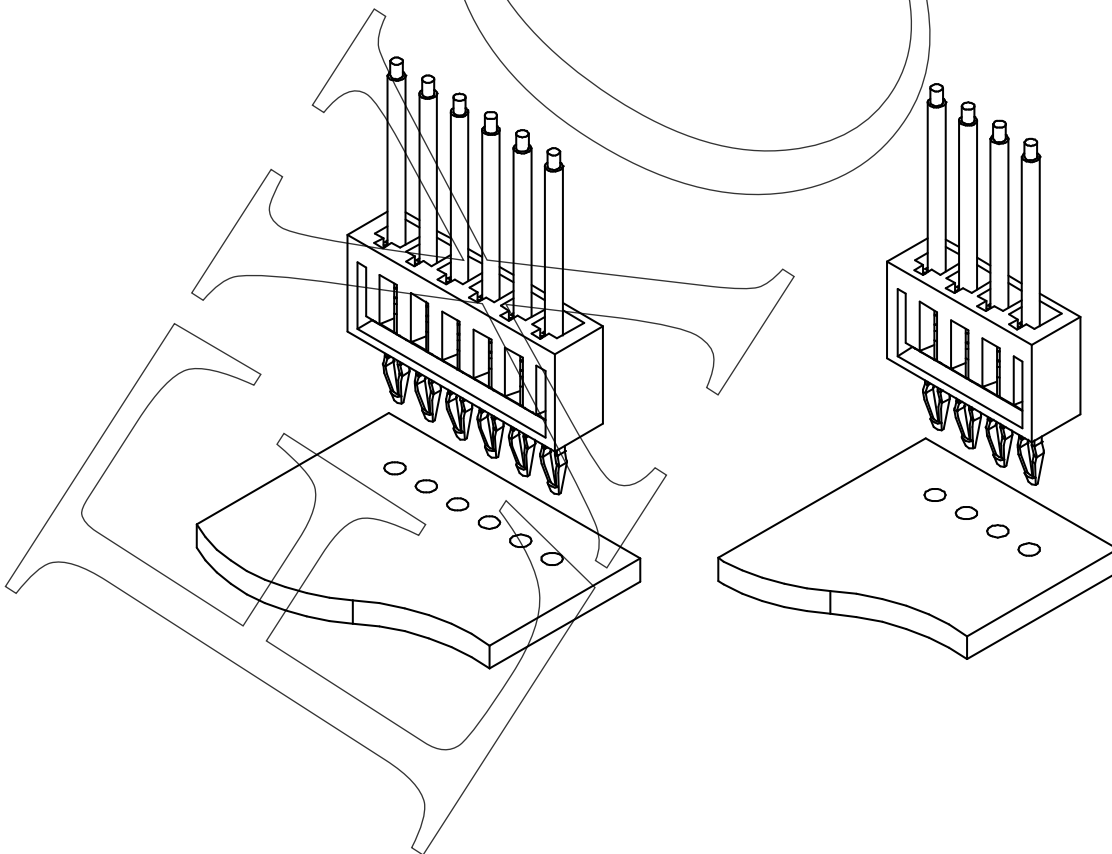
■ Specifications

1. Current rating: 3A AC/DC
2. Voltage rating: 250V AC/DC
3. Withstand voltage: 800V AC/minute
4. Insulation resistance: 1000M ohm min
5. Contact resistance: 10m ohm max
6. Temperature range: -25°C to +85°C

7. Applicable PC board thickness:
1.0~1.6mm(.039"to .063")

8. Applicable wires: AWG#28-#22
Insulation O.D.: 1.2-1.9mm

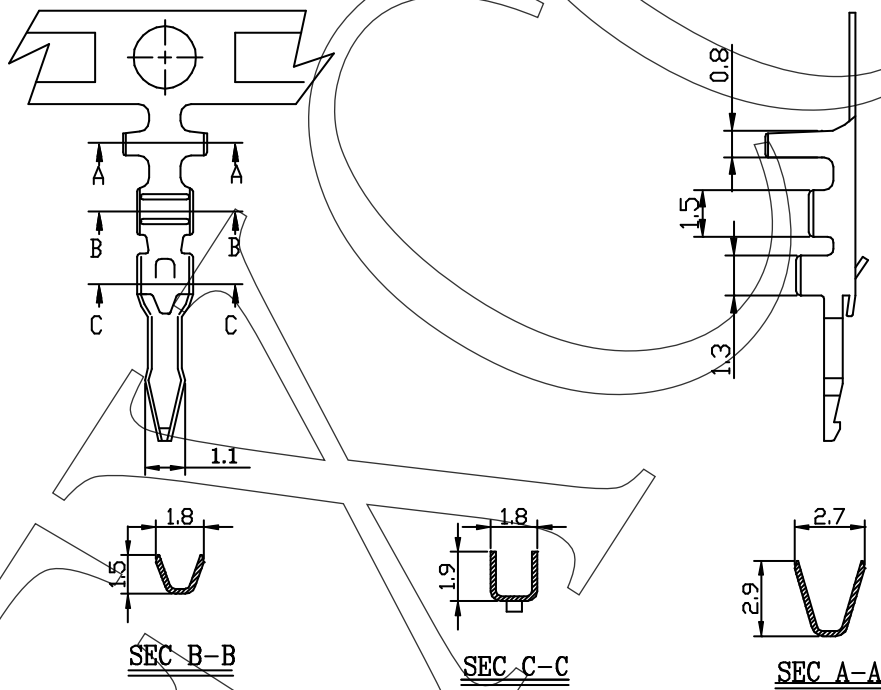
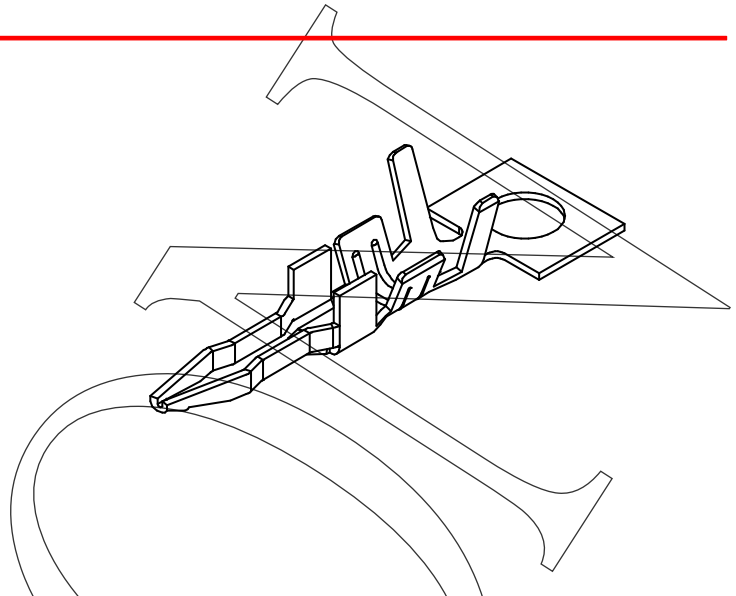
9. Circuits: 2~16 circuits available



2502 SERIES

Crimp Terminal

1. Part No.: 250200TC001
2. Part Name: 2502 Terminal
3. Material: Phosphor or Brass bronze
4. Finishing: Tin plated, Tin pre-plated



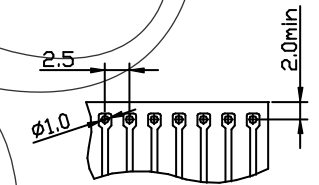
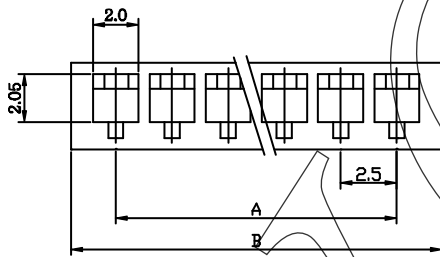
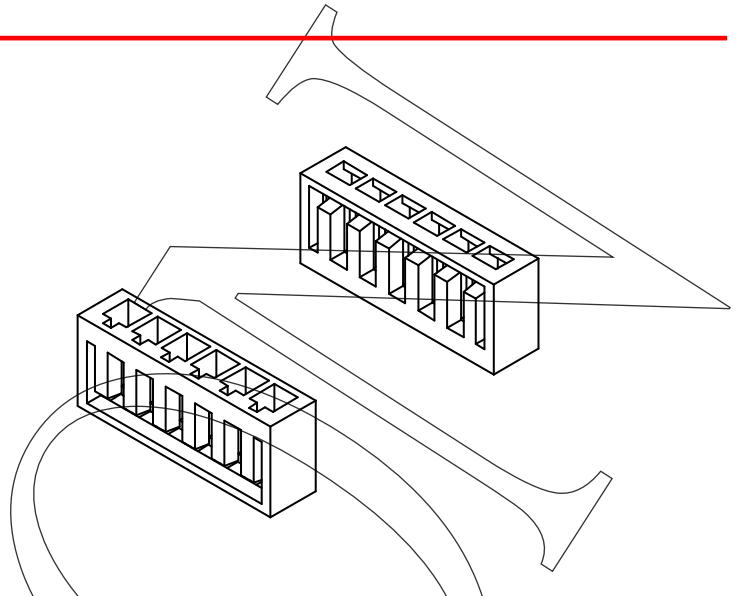
Ordering Information and Dimensions:

Part No.	Wire Range	Insulation O.D.	Material	Finishing	Q'ty/reel
250200TC001	AWG#28~#22	1.2-1.9mm	Brass	Tin plated	10,000pcs
250200TC051				Tin pre-plated	
250200TC301			Phosphor	Tin plated	10,000pcs
250200TC351				Tin pre-plated	

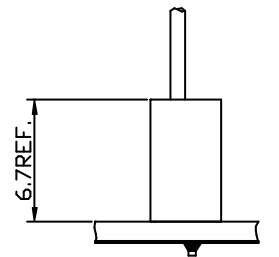
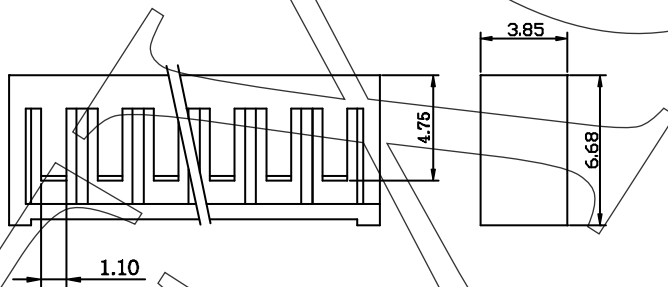
2502 SERIES

Housing

1. Part No.: 2502xxHA001
2. Part Name: 2502 Housing
3. Material: Nylon 66 UL 94V0
4. Color: Natural



RECOMMENDED PCB LAYOUT
(PCB T=1.0~1.6mm)



Mating Dimensions

Ordering Information and Dimensions:

Part No.	Circuits	Dim A	Dim B	Part No.	Circuits	Dim A	Dim B
250202HA001	2	2.5	6.5	250210HA001	10	22.5	26.5
250203HA001	3	5.0	9.0	250211HA001	11	25.0	29.0
250204HA001	4	7.5	11.5	250212HA001	12	27.5	31.5
250205HA001	5	10.0	14.0	250213HA001	13	30.0	34.0
250206HA001	6	12.5	16.5	250214HA001	14	32.5	36.5
250207HA001	7	15.0	19.0	250215HA001	15	35.0	39.0
250208HA001	8	17.5	21.5	250216HA001	16	37.5	41.5
250209HA001	9	20.0	24.0				