

2504 SERIES

■ Wire to Board System
pitch 2.5mm(.098")

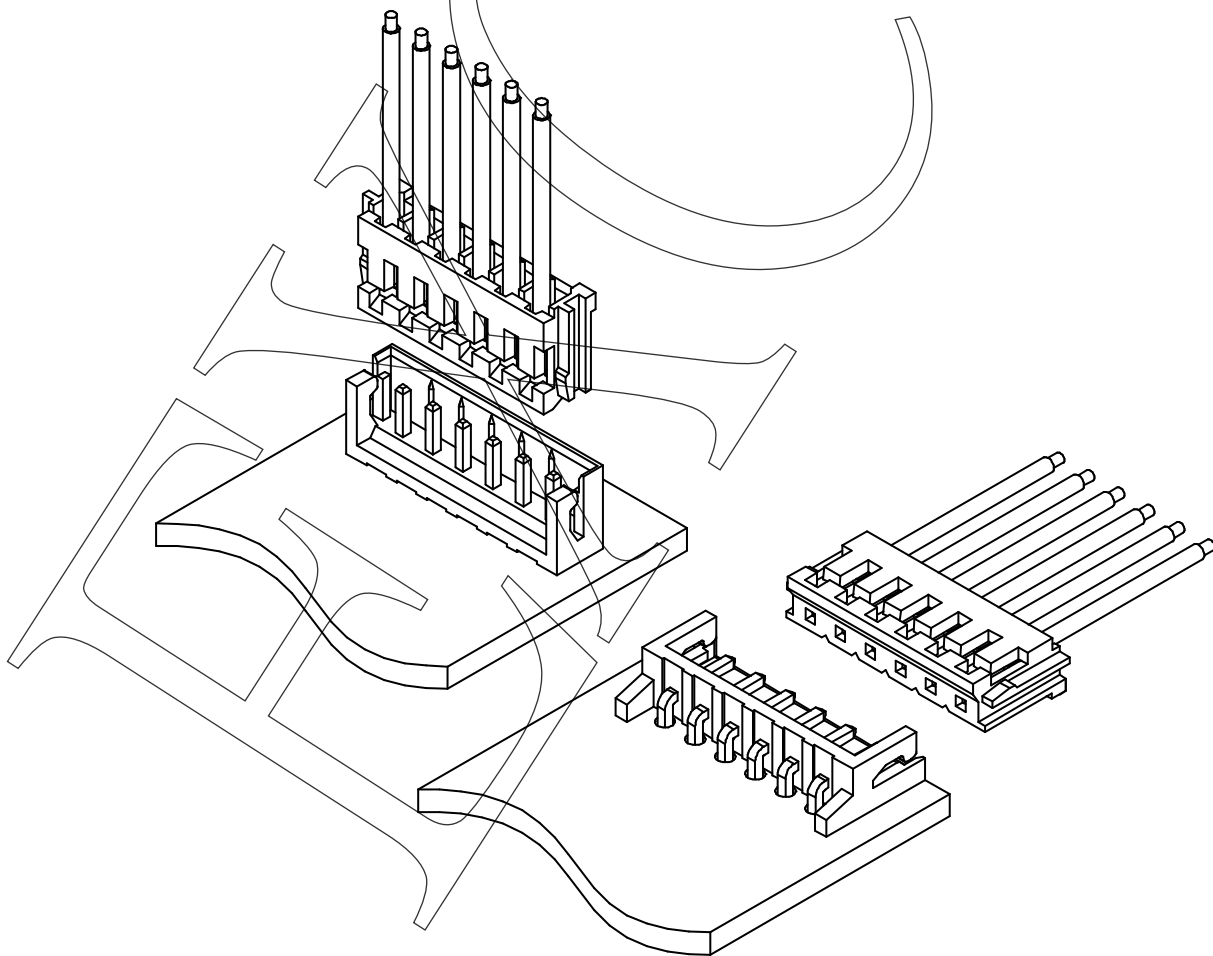
■ Specifications

1. Current rating: 3A AC/DC
2. Voltage rating: 250V AC/DC
3. Withstand voltage: 1000V AC/minute
4. Insulation resistance: 1000M ohm min
5. Contact resistance: 10m ohm max
6. Temperature range: -25°C to +85°C

7. Applicable PC board thickness:
0.8~1.6mm(.032"to .063")

8. Applicable wires: AWG#28-#22
Insulation O.D.: 1.2-1.8mm

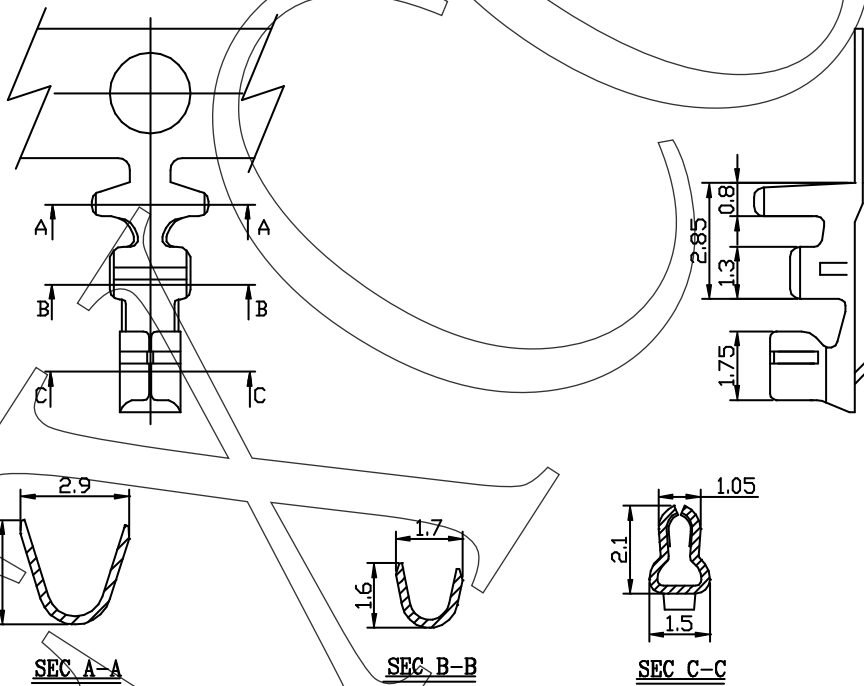
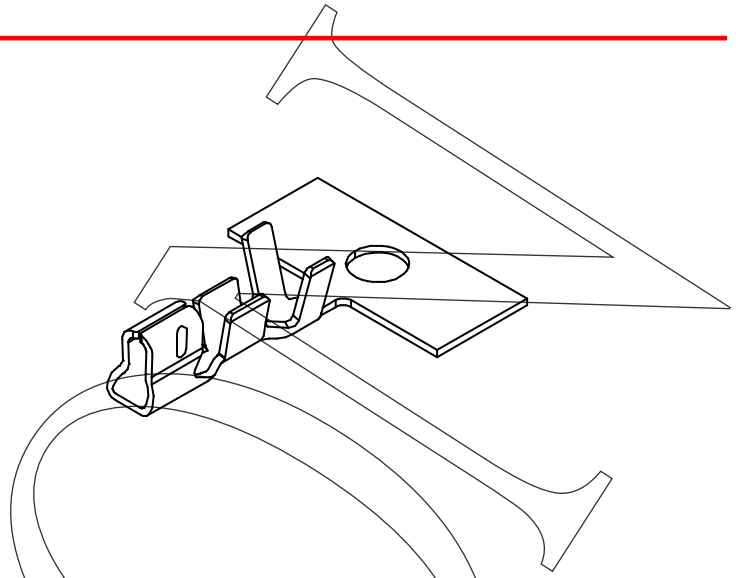
9. Circuits: 2~15 circuits available



2504 SERIES

Crimp Terminal

1. Part No.: 250400TC351
2. Part Name: 2504 Terminal
3. Material: phosphor bronze
4. Finishing: Tin pre-plated



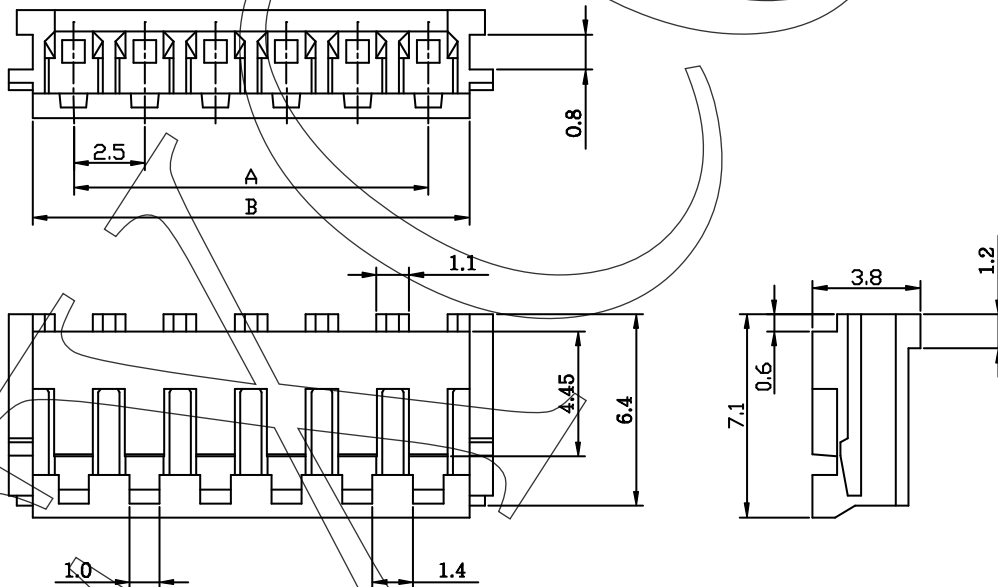
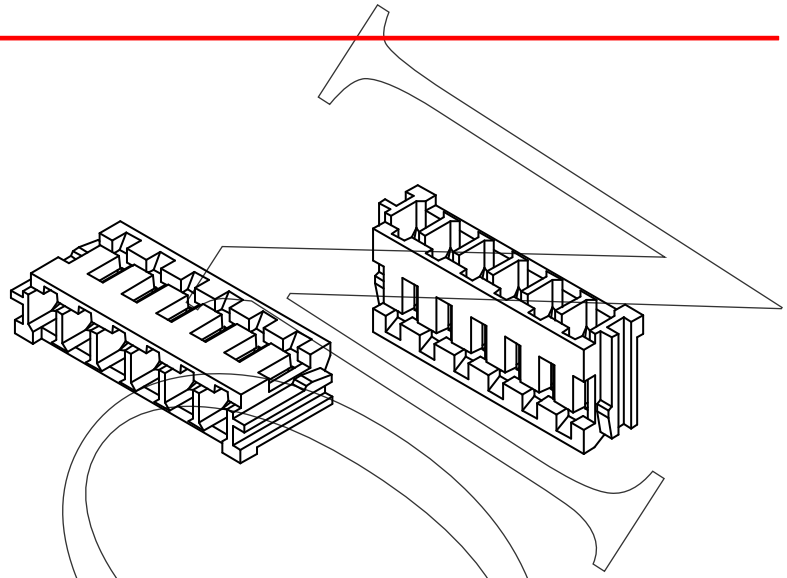
Ordering Information and Dimensions:

Part No.	Wire Range	Insulation O.D.	Material	Finishing	Q'ty/reel
250400TC351	AWG#28~#22	1.2-1.8mm	Phosphor	Tin pre-plated	10,000pcs

2504 SERIES

Housing

1. Part No.: 2504xxHA001
2. Part Name: 2504 Housing
3. Material: Nylon 66 UL 94V0
4. Color: Natural



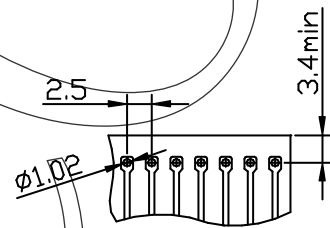
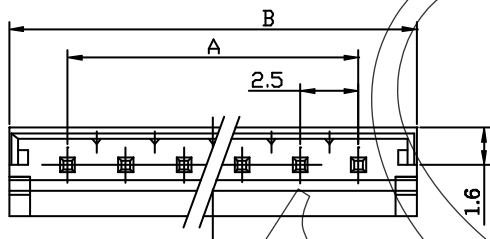
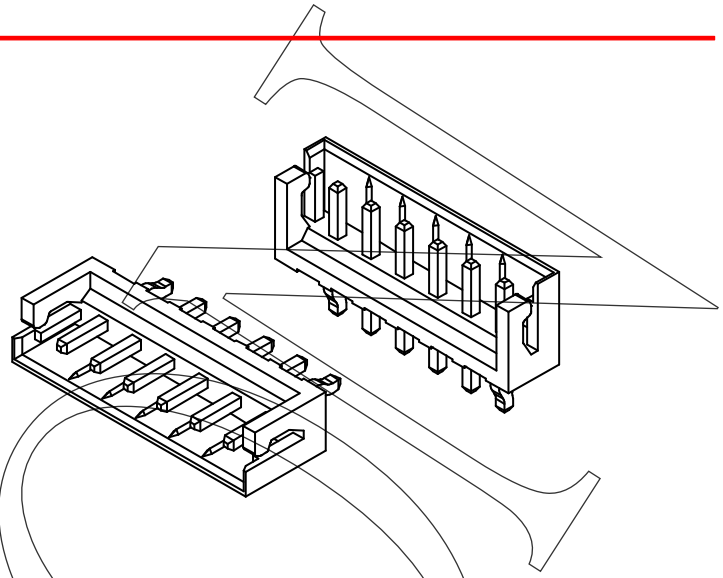
Ordering Information and Dimensions:

Part No.	Circuits	Dim A	Dim B	Part No.	Circuits	Dim A	Dim B
250402HA001	2	2.5	5.4	250410HA001	10	22.5	25.4
250403HA001	3	5.0	7.9	250411HA001	11	25.0	27.9
250404HA001	4	7.5	10.4	250412HA001	12	27.5	30.4
250405HA001	5	10.0	12.9	250413HA001	13	30.0	32.9
250406HA001	6	12.5	15.4	250414HA001	14	32.5	35.4
250407HA001	7	15.0	17.9	250415HA001	15	35.0	37.9
250408HA001	8	17.5	20.4				
250409HA001	9	20.0	22.9				

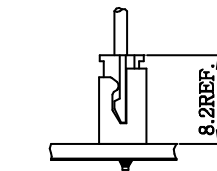
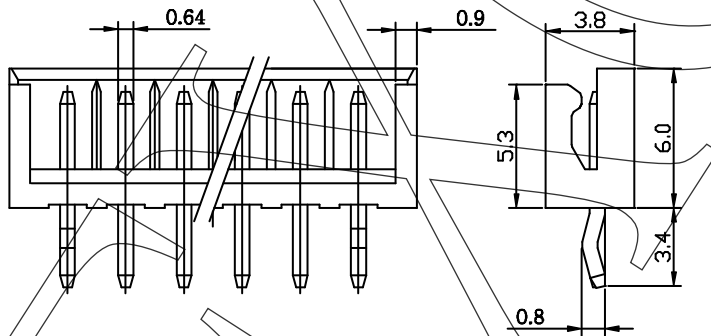
2504 SERIES

Wafer (Vertical type)

1. Part No.: 2504xxWV001
2. Part Name: 2504 Wafer
3. Material: Nylon 66 UL 94V0
Pin: Brass bronze, Tin plated
5. Color: Natural



RECOMMENDED PCB LAYOUT
(PCB T=0.8~1.6mm)



Mating Dimensions

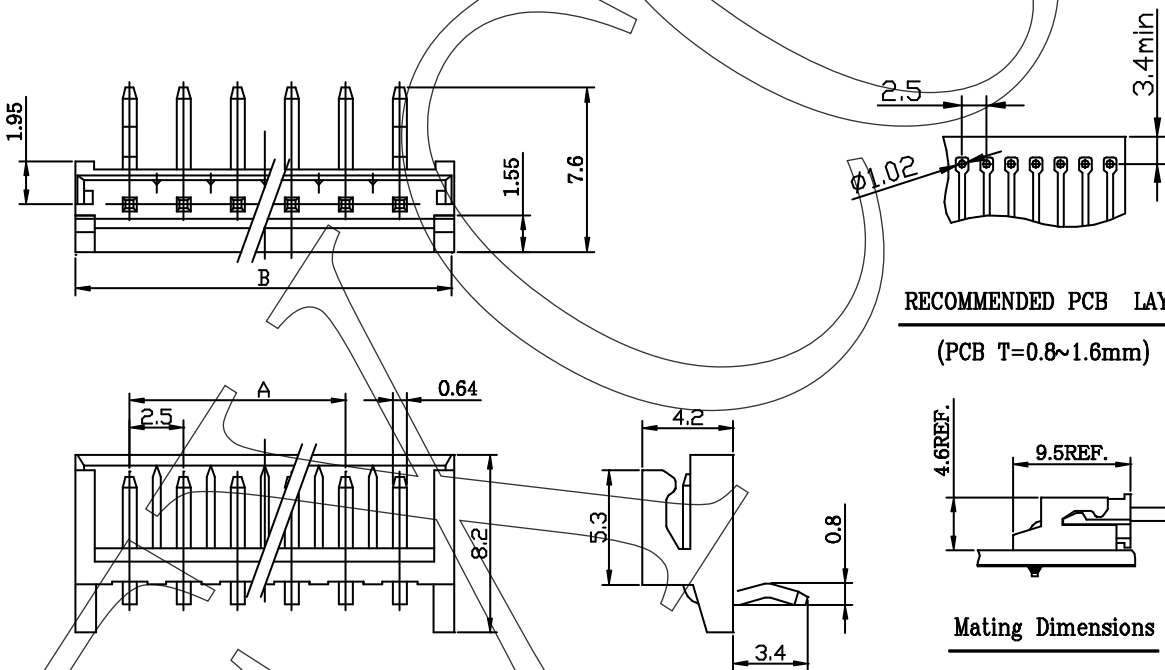
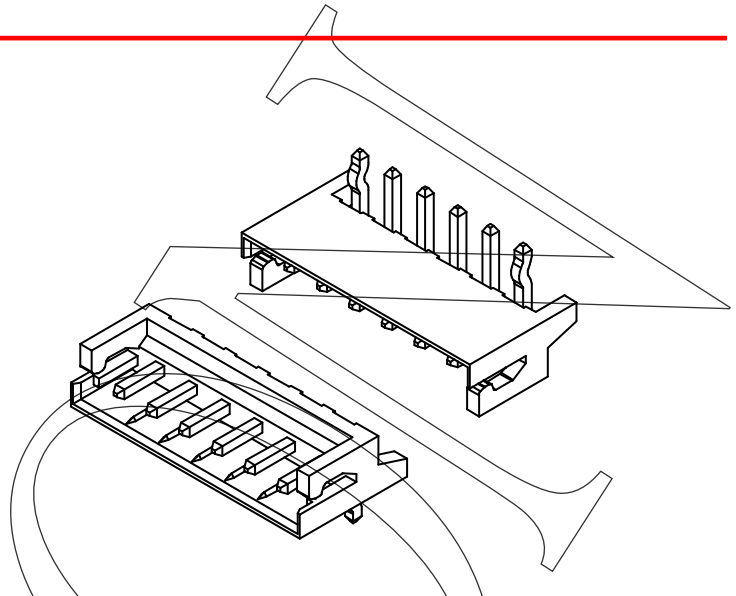
Ordering Information and Dimensions:

Part No.	Circuits	Dim A	Dim B	Part No.	Circuits	Dim A	Dim B
250402WV001	2	2.5	7.5	250410WV001	10	22.5	27.5
250403WV001	3	5.0	10.0	250411WV001	11	25.0	30.0
250404WV001	4	7.5	12.5	250412WV001	12	27.5	32.5
250405WV001	5	10.0	15.0	250413WV001	13	30.0	35.0
250406WV001	6	12.5	17.5	250414WV001	14	32.5	37.5
250407WV001	7	15.0	20.0	250415WV001	15	35.0	40.0
250408WV001	8	17.5	22.5				
250409WV001	9	20.0	25.0				

2504 SERIES

Wafer (Right angle type)

1. Part No.: 2504xxWR001
2. Part Name: 2504 Wafer
3. Material: Nylon 66 UL 94V0
Pin: Brass bronze, Tin plated
4. Color: Natural



Ordering Information and Dimensions:

Part No.	Circuits	Dim A	Dim B	Part No.	Circuits	Dim A	Dim B
250402WR001	2	2.5	7.5	250410WR001	10	22.5	27.5
250403WR001	3	5.0	10.0	250411WR001	11	25.0	30.0
250404WR001	4	7.5	12.5	250412WR001	12	27.5	32.5
250405WR001	5	10.0	15.0	250413WR001	13	30.0	35.0
250406WR001	6	12.5	17.5	250414WR001	14	32.5	37.5
250407WR001	7	15.0	20.0	250415WR001	15	35.0	40.0
250408WR001	8	17.5	22.5				
250409WR001	9	20.0	25.0				