

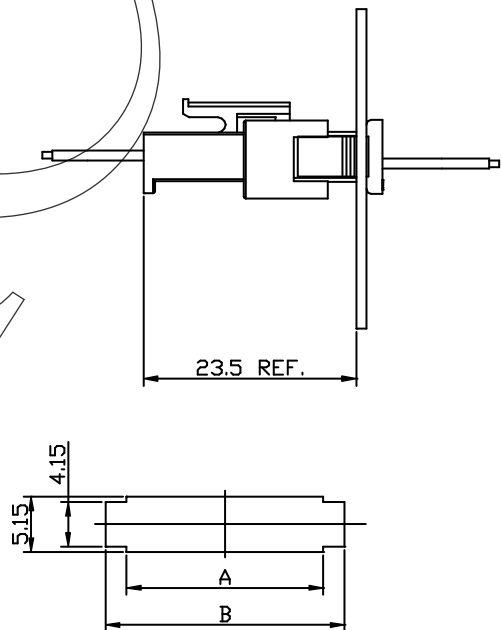
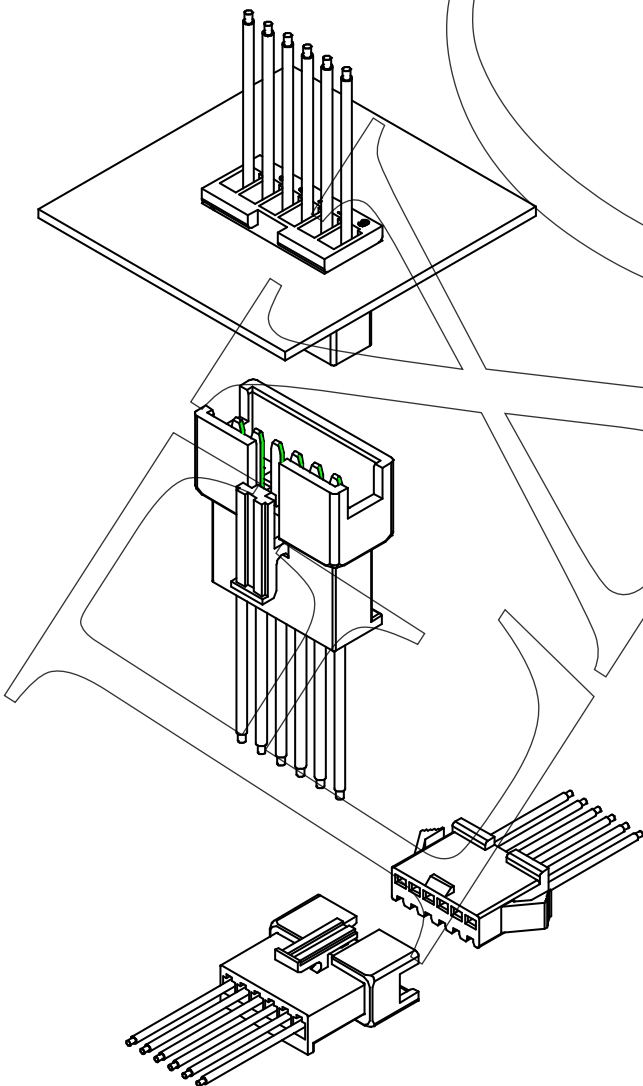
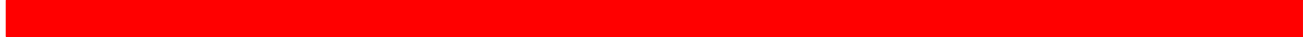
2507 ,2508 SERIES

■ Wire to Wire System
pitch 2.5mm(.098")

■ Specifications

1. Current rating: 2.5A AC/DC
2. Voltage rating: 250V AC/DC
3. Withstand voltage: 800V AC/minute
4. Insulation resistance: 1000M ohm min
5. Contact resistance: 20m ohm max
6. Temperature range: -25°C to +85°C

7. Applicable panel thickness:
0.2~2.0mm (0.20"~.079")
8. Applicable wires: AWG#28-#22
Insulation O.D.: 1.2-1.7mm
9. Circuits: 2~12 circuits available



Panel Hole Layout

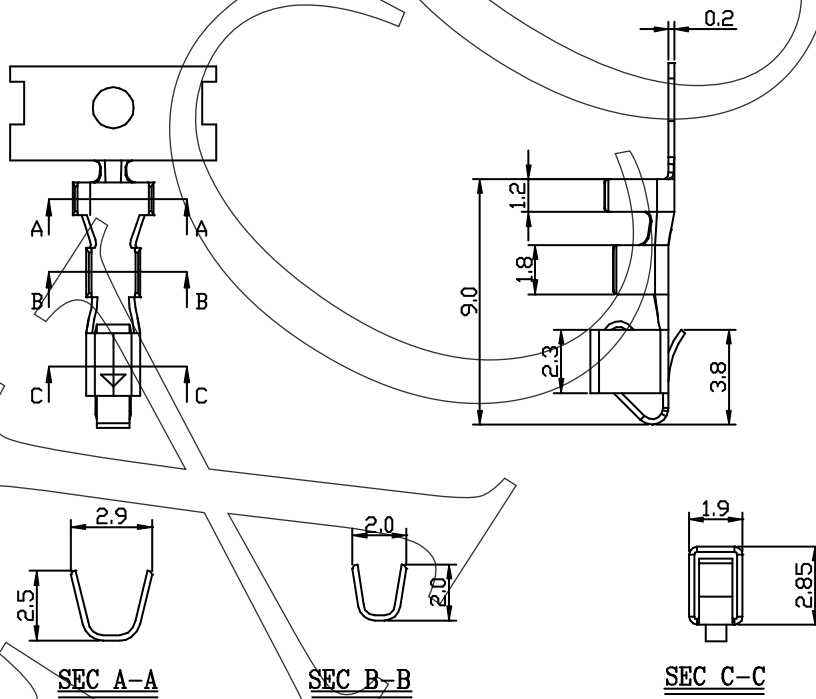
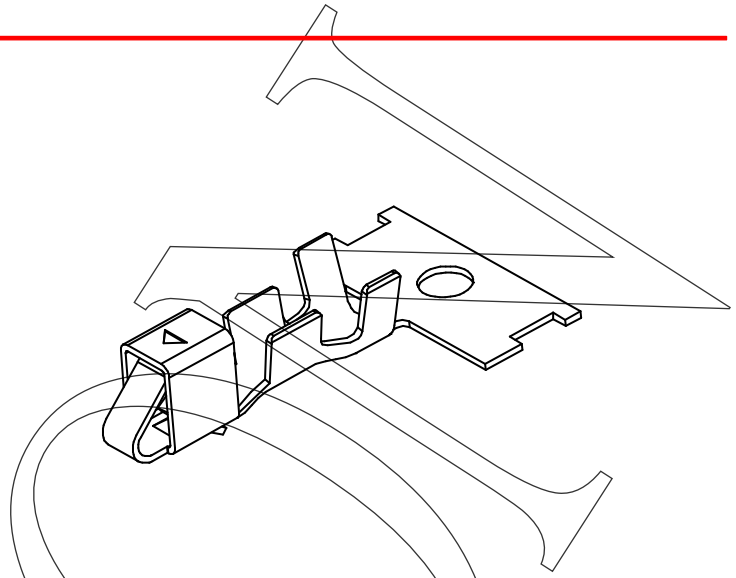
Layout Dimensions:

Circuits	Dim A	Dim B	Circuits	Dim A	Dim B
2	5.7	9.6	8	20.7	24.6
3	8.2	12.1	9	23.2	27.1
4	10.7	14.6	10	25.7	29.6
5	13.2	17.1	11	28.2	32.1
6	15.7	19.6	12	30.7	34.6
7	18.2	22.1			

2507 SERIES

Crimp Terminal

1. Part No.: 250700TA051
2. Part Name: 2507 Terminal
3. Material: Brass bronze
4. Finishing: Tin pre-plated



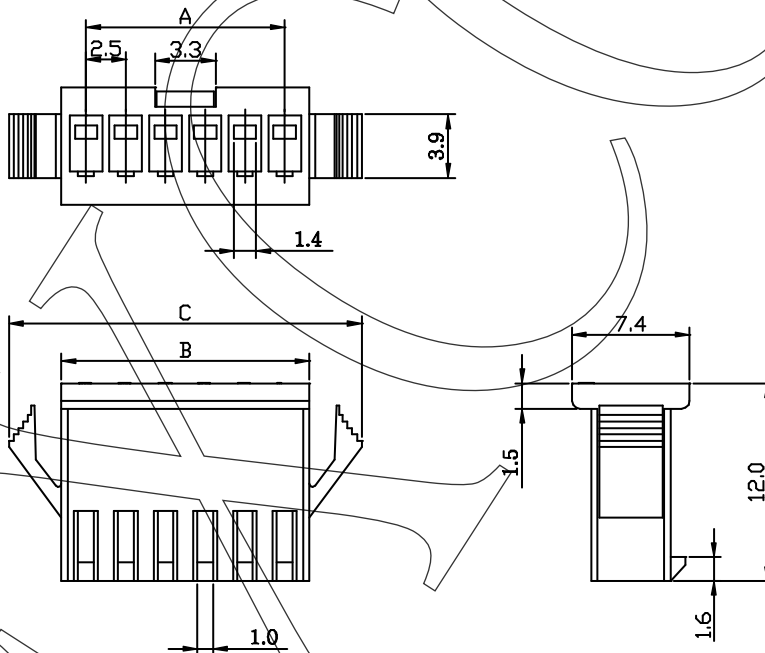
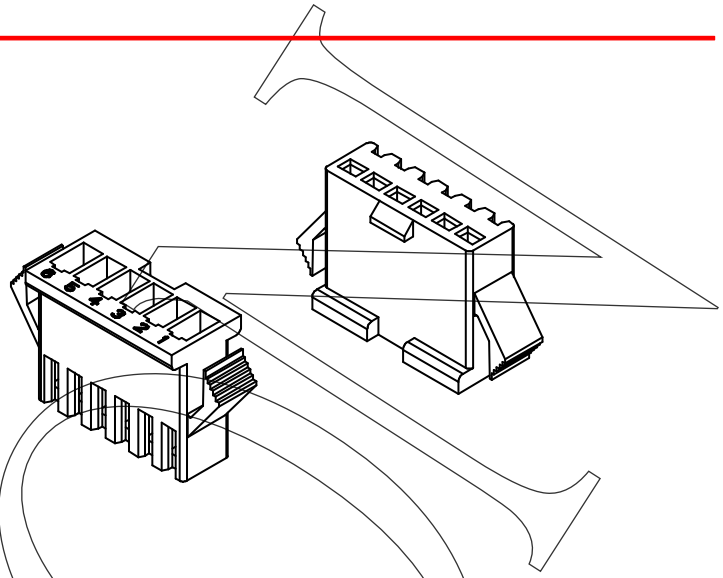
Ordering Information and Dimensions:

Part No.	Wire Range	Insulation O.D.	Material	Finishing	Q'ty/reel
250700TA051	AWG#28~#22	1.2-1.7mm	Brass	Tin pre-plated	7,000pcs

2507 SERIES

Housing

1. Part No.: 2507xxHM003
2. Part Name: 2507 Housing
3. Material: Nylon 66 UL 94V0
4. Color: Black



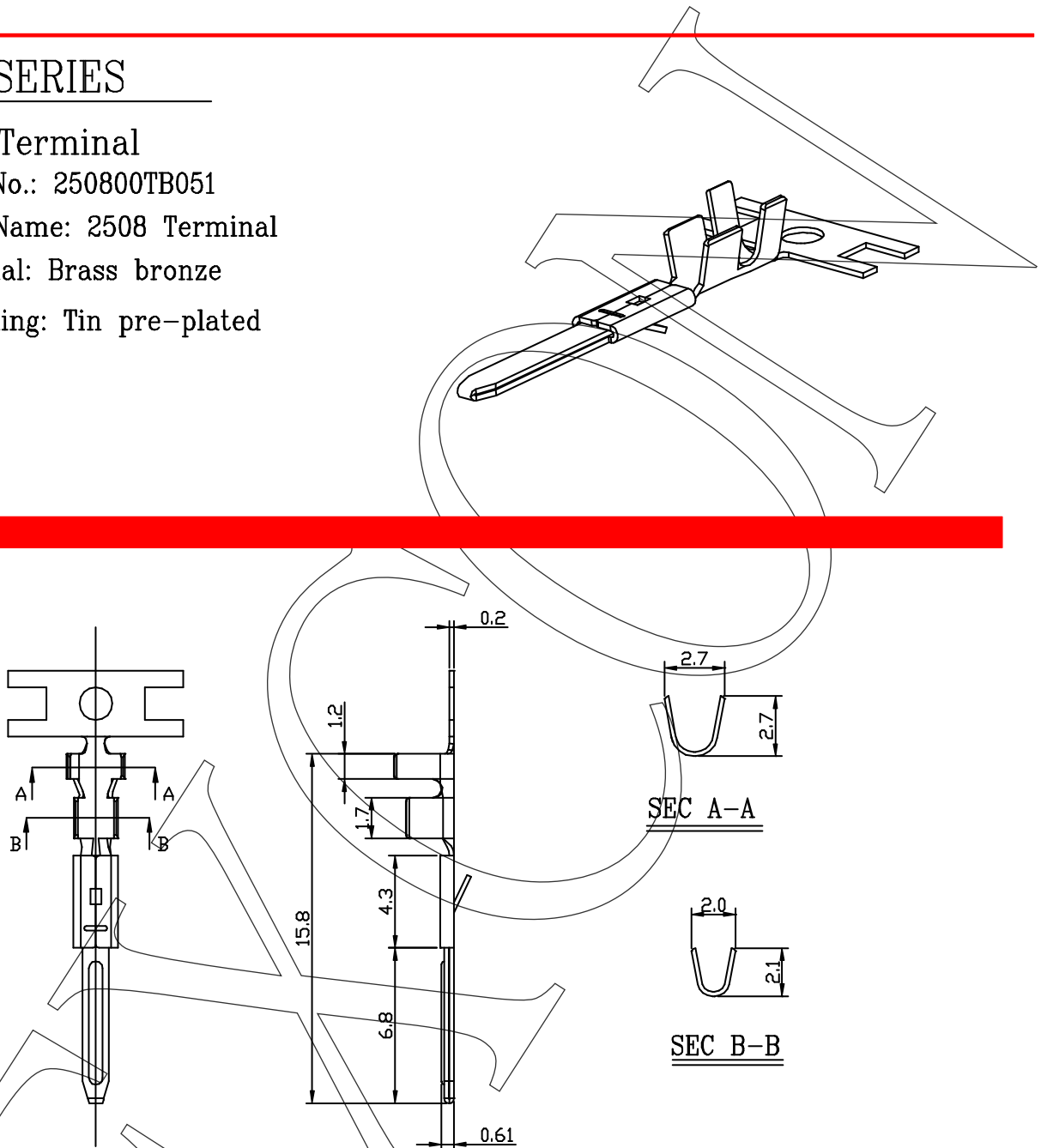
Ordering Information and Dimensions:

Part No.	Circuits	Dim A	Dim B	Dim C	Dim D	Dim E	Part No.	Circuits	Dim A	Dim B	Dim C	Dim D	Dim E
250702HM003	2	2.5	5.5	11.5	5.7	9.6	250708HM003	8	17.5	20.5	26.5	20.7	24.6
250703HM003	3	5.0	8.0	14.0	8.2	12.1	250709HM003	9	20.0	23.0	29.0	23.2	27.1
250704HM003	4	7.5	10.5	16.5	10.7	14.6	250710HM003	10	22.5	25.5	31.5	25.7	29.6
250705HM003	5	10.0	13.0	19.0	13.2	17.1	250711HM003	11	25.0	28.0	34.0	28.2	32.1
250706HM003	6	12.5	15.5	21.5	15.7	19.6	250712HM003	12	27.5	30.5	36.5	30.7	34.6
250707HM003	7	15.0	18.0	24.0	18.2	22.1							

2508 SERIES

Crimp Terminal

1. Part No.: 250800TB051
2. Part Name: 2508 Terminal
3. Material: Brass bronze
4. Finishing: Tin pre-plated



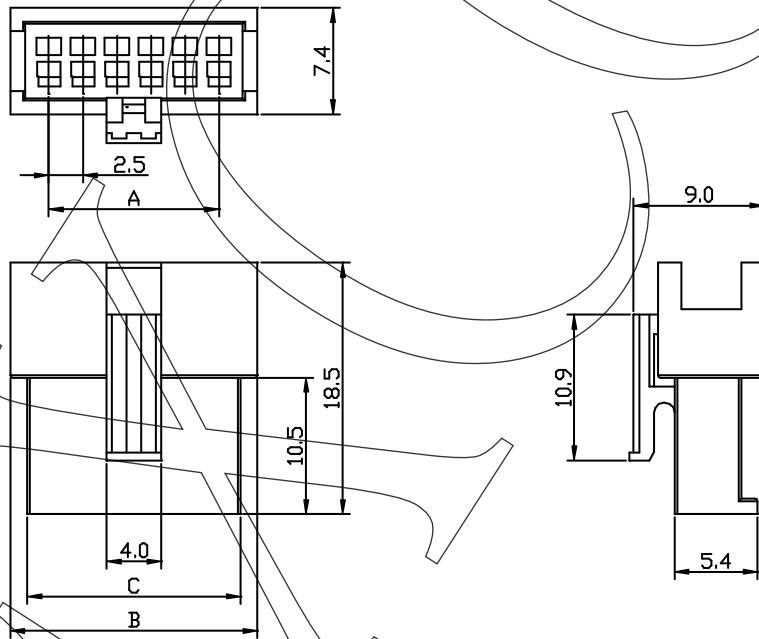
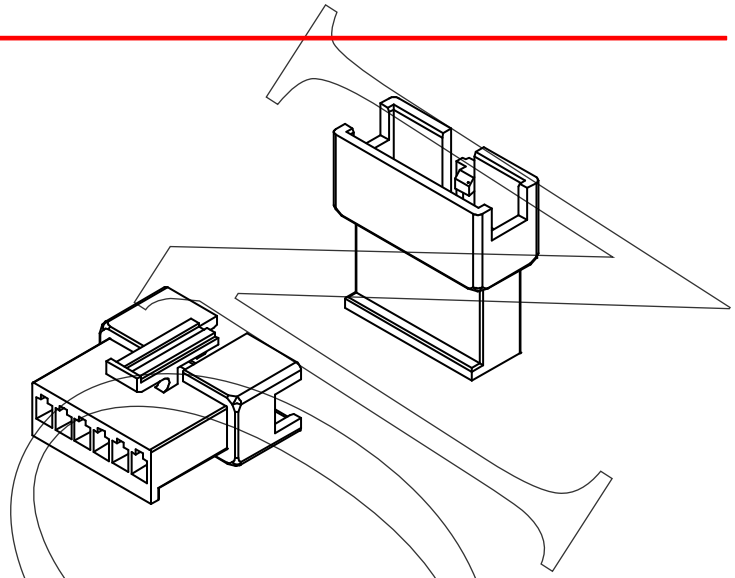
Ordering Information and Dimensions:

Part No.	Wire Range	Insulation O.D.	Material	Finishing	Q'ty/reel
250800TB051	AWG#28~#22	1.2-1.7mm	Brass	Tin pre-plated	10,000pcs

2508 SERIES

Housing

1. Part No.: 2508xxHF003
2. Part Name: 2508 Housing
3. Material: Nylon 66 UL 94V0
4. Color: Black



Ordering Information and Dimensions:

Part No.	Circuits	Dim A	Dim B	Dim C	Part No.	Circuits	Dim A	Dim B	Dim C
250802HF003	2	2.5	8.0	5.6	250808HF003	8	17.5	23.0	20.6
250803HF003	3	5.0	10.5	8.1	250809HF003	9	20.0	25.5	23.1
250804HF003	4	7.5	13.0	10.6	250810HF003	10	22.5	28.0	25.6
250805HF003	5	10.0	15.5	13.1	250811HF003	11	25.0	30.5	28.1
250806HF003	6	12.5	18.0	15.6	250812HF003	12	27.5	33.0	30.6
250807HF003	7	15.0	20.5	18.1					