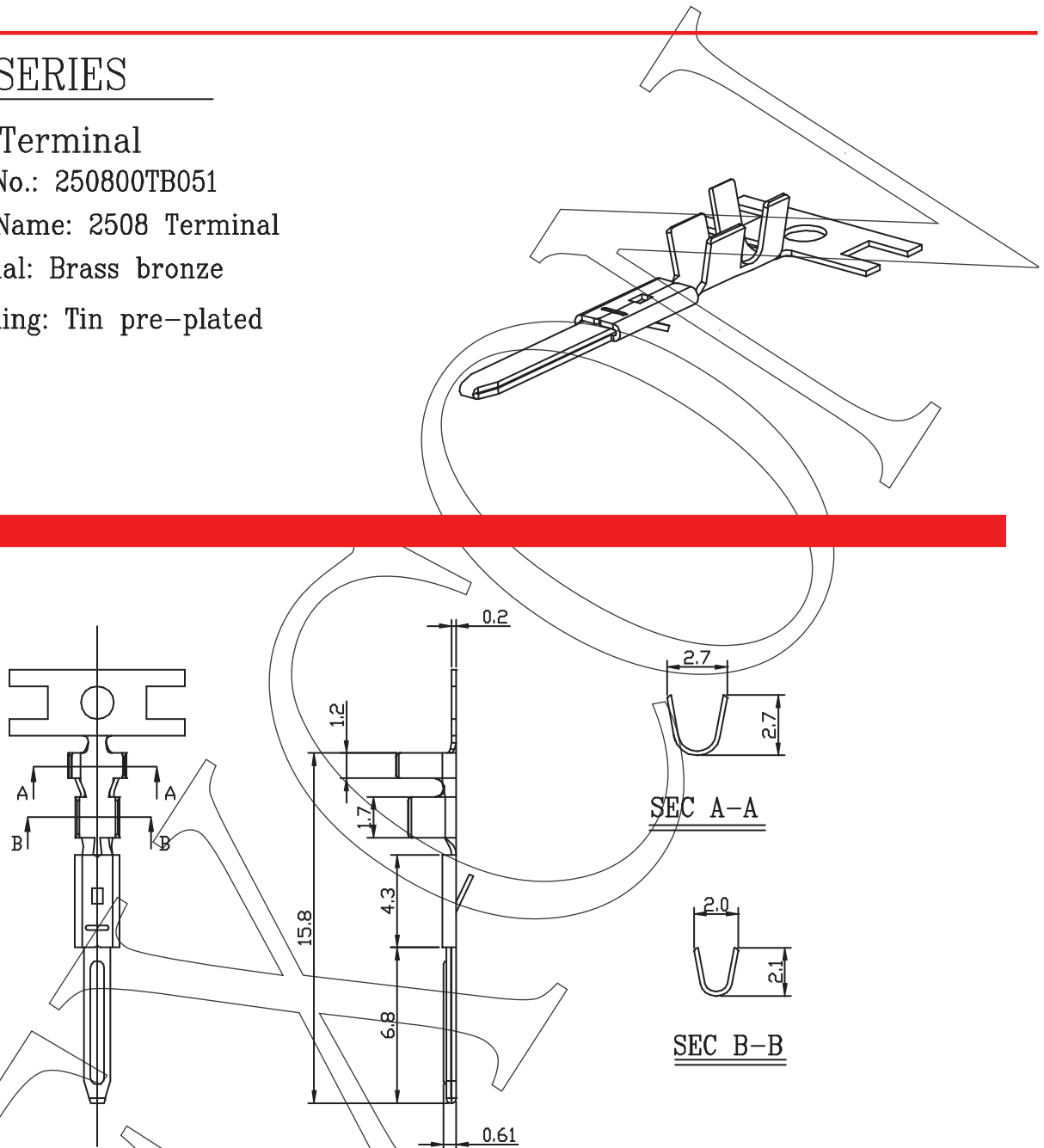


2508 SERIES

Crimp Terminal

1. Part No.: 250800TB051
2. Part Name: 2508 Terminal
3. Material: Brass bronze
4. Finishing: Tin pre-plated



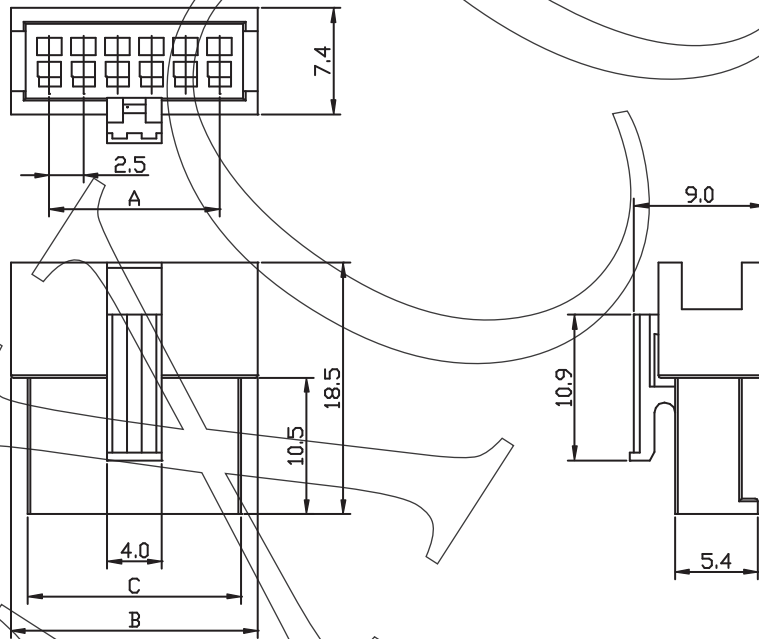
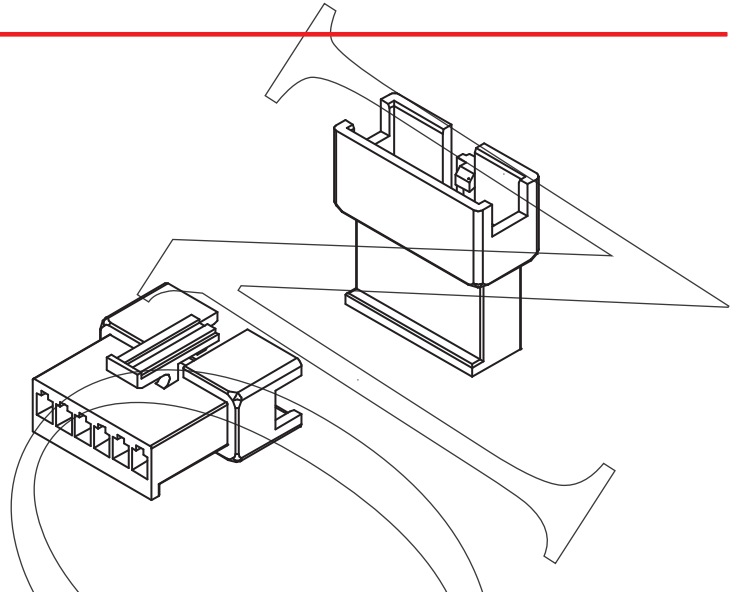
Ordering Information and Dimensions:

Part No.	Wire Range	Insulation O.D.	Material	Finishing	Q'ty/reel
250800TB051	AWG#28~#22	1.2-1.7mm	Brass	Tin pre-plated	10,000pcs

2508 SERIES

Housing

1. Part No.: 2508xxHF003
2. Part Name: 2508 Housing
3. Material: Nylon 66 UL 94V0
4. Color: Black



Ordering Information and Dimensions:

Part No.	Circuits	Dim A	Dim B	Dim C	Part No.	Circuits	Dim A	Dim B	Dim C
250802HF003	2	2.5	8.0	5.6	250808HF003	8	17.5	23.0	20.6
250803HF003	3	5.0	10.5	8.1	250809HF003	9	20.0	25.5	23.1
250804HF003	4	7.5	13.0	10.6	250810HF003	10	22.5	28.0	25.6
250805HF003	5	10.0	15.5	13.1	250811HF003	11	25.0	30.5	28.1
250806HF003	6	12.5	18.0	15.6	250812HF003	12	27.5	33.0	30.6
250807HF003	7	15.0	20.5	18.1					