

## 2512 SERIES

■ Wire to Board System  
pitch 2.5mm(.098")

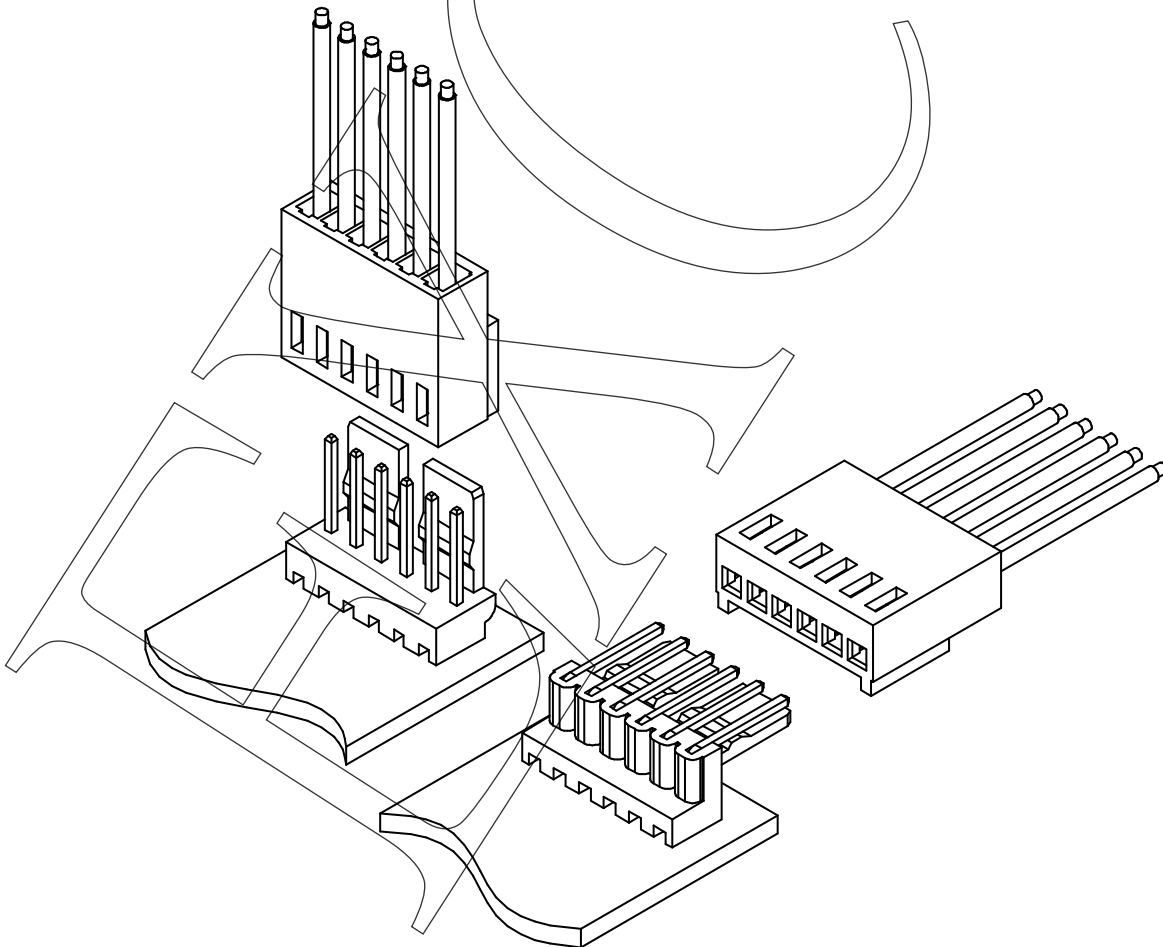
■ Specifications

1. Current rating: 3A AC/DC
2. Voltage rating: 250V AC/DC
3. Withstand voltage: 1000V AC/minute
4. Insulation resistance: 1000M ohm min
5. Contact resistance: 20m ohm max
6. Temperature range: -40°C to +85°C

7. Applicable PC board thickness:  
1.0~1.6mm(.039" to .063")

8. Applicable wires: AWG#28-#22  
Insulation O.D.: 1.2-1.7mm

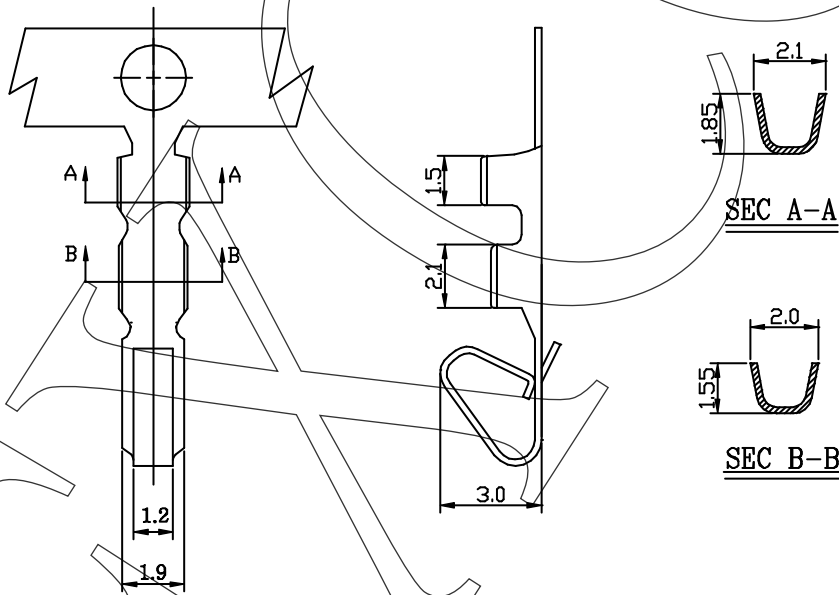
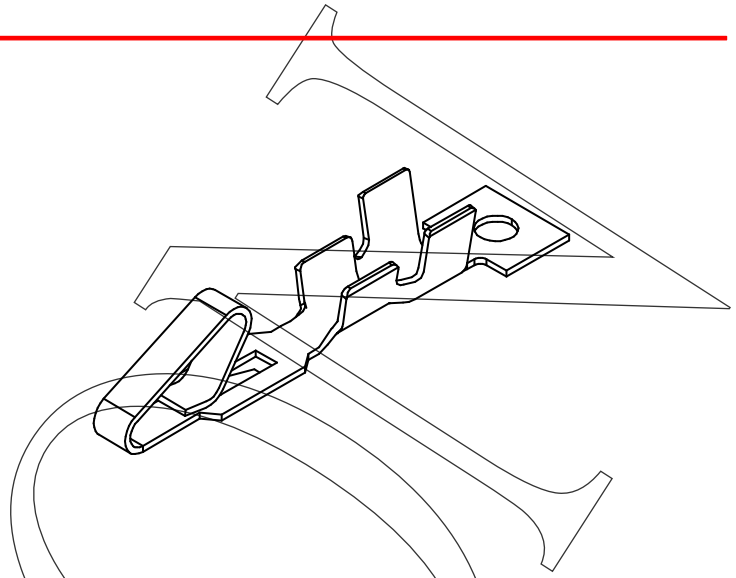
9. Circuits: 2~15 circuits available



## 2512 SERIES

### Crimp Terminal

1. Part No.: 251200TC051, 251200TC351
2. Part Name: 2512 Terminal
3. Material: Brass bronze, phosphor
4. Finishing: Tin pre-plated



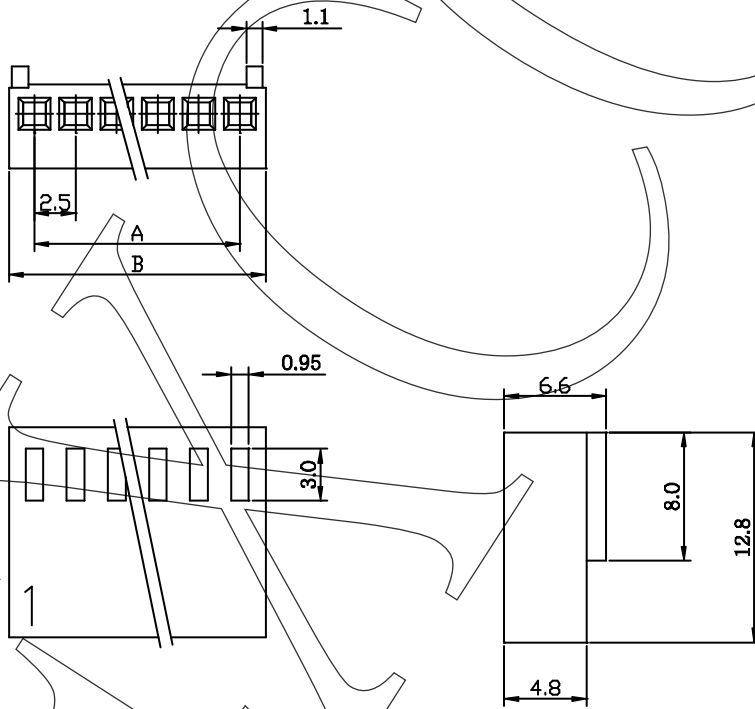
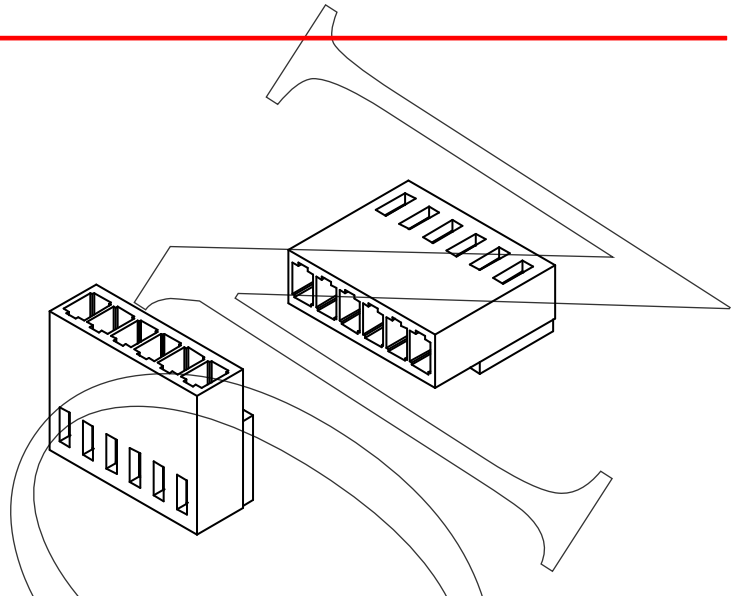
### Ordering Information and Dimensions:

Part No.	Wire Range	Insulation O.D.	Material	Finishing	Q'ty/reel
251200TC351	AWG#28~#22	1.2-1.7mm	Phosphor	Tin pre-plated	10,000pcs
251200TC051	AWG#28~#22	1.2-1.7mm	Brass	Tin pre-plated	10,000pcs

## 2512 SERIES

### Housing

1. Part No.: 2512xxHA054
2. Part Name: 2512 Housing
3. Material: Nylon 66 UL 94V2
4. Color: Beige



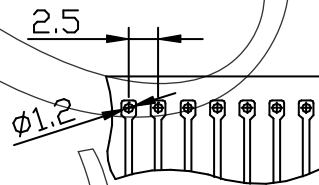
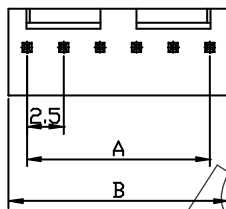
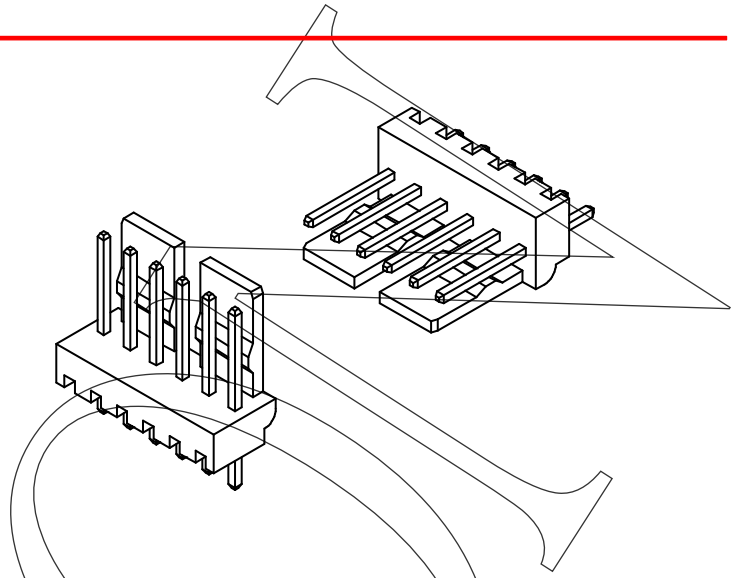
### Ordering Information and Dimensions:

Part No.	Circuits	Dim A	Dim B	Part No.	Circuits	Dim A	Dim B
251202HA054	2	2.50	5.50	251209HA054	9	20.00	23.00
251203HA054	3	5.00	8.00	251210HA054	10	22.50	25.50
251204HA054	4	7.50	10.50	251211HA054	11	25.00	28.00
251205HA054	5	10.00	13.00	251212HA054	12	27.50	30.50
251206HA054	6	12.50	15.50	251213HA054	13	30.00	33.00
251207HA054	7	15.00	18.00	251214HA054	14	32.50	35.50
251208HA054	8	17.50	20.50	251215HA054	15	35.00	38.00

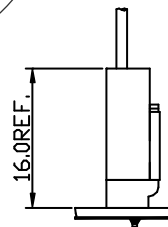
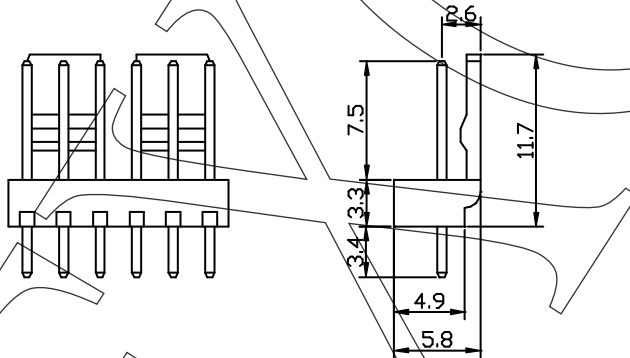
## 2512 SERIES

Wafer (Vertical type)

1. Part No.: 2512xxWV054
2. Part Name: 2512 Wafer
3. Material: Nylon 66 UL 94V2  
Pin: Brass bronze, Tin plated
5. Color: Beige



**RECOMMENDED PCB LAYOUT**  
(PCB T=1.0~1.6mm)



**Mating Dimensions**

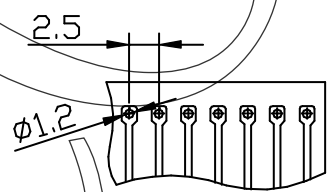
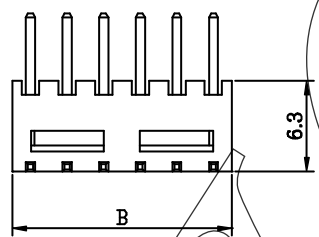
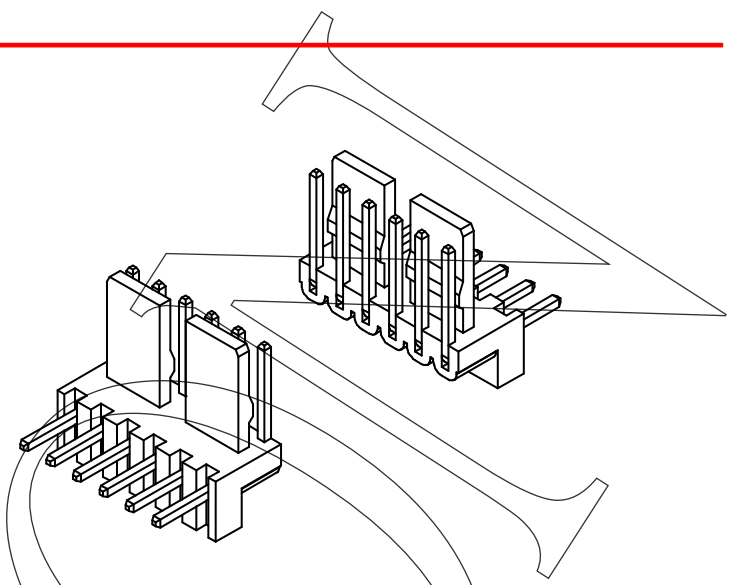
### Ordering Information and Dimensions:

Part No.	Circuits	Dim A	Dim B	Part No.	Circuits	Dim A	Dim B
251202WV054	2	2.50	5.00	251209WV054	9	20.00	22.50
251203WV054	3	5.00	7.50	251210WV054	10	22.50	25.00
251204WV054	4	7.50	10.00	251211WV054	11	25.00	27.50
251205WV054	5	10.00	12.50	251212WV054	12	27.50	30.00
251206WV054	6	12.50	15.00	251213WV054	13	30.00	32.50
251207WV054	7	15.00	17.50	251214WV054	14	32.50	35.00
251208WV054	8	17.50	20.00	251215WV054	15	35.00	37.50

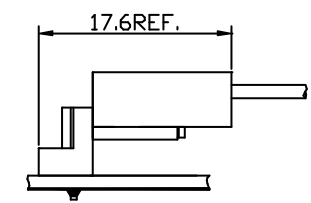
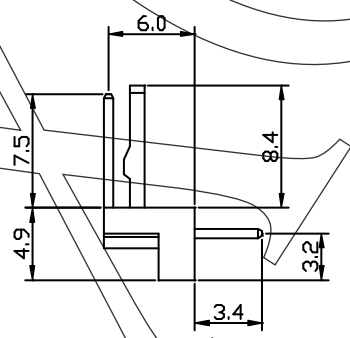
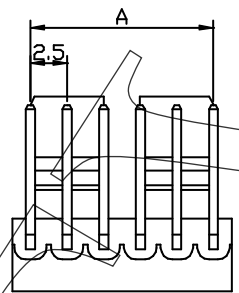
## 2512 SERIES

Wafer (Right angle type)

1. Part No.: 2512xxWR054
2. Part Name: 2512 Wafer
3. Material: Nylon 66 UL 94V2  
Pin: Brass bronze, Tin plated
4. Color: Beige



**RECOMMENDED PCB LAYOUT**  
(PCB T=1.0~1.6mm)



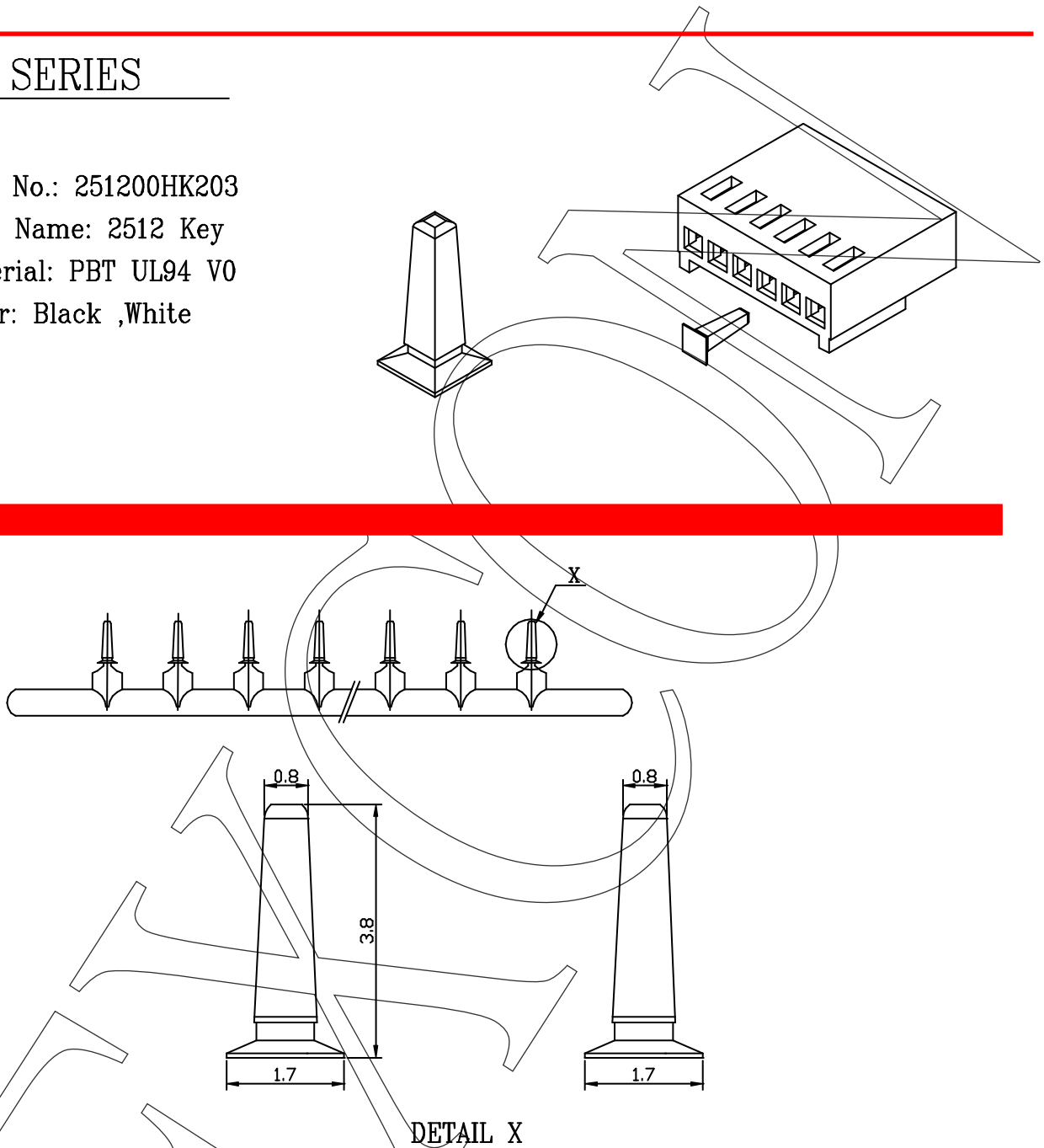
**Mating Dimensions**

### Ordering Information and Dimensions:

Part No.	Circuits	Dim A	Dim B	Part No.	Circuits	Dim A	Dim B
251202WR054	2	2.50	5.00	251209WR054	9	20.00	22.50
251203WR054	3	5.00	7.50	251210WR054	10	22.50	25.00
251204WR054	4	7.50	10.00	251211WR054	11	25.00	27.50
251205WR054	5	10.00	12.50	251212WR054	12	27.50	30.00
251206WR054	6	12.50	15.00	251213WR054	13	30.00	32.50
251207WR054	7	15.00	17.50	251214WR054	14	32.50	35.00
251208WR054	8	17.50	20.00	251215WR054	15	35.00	37.50

**2512 SERIES****Key**

1. Part No.: 251200HK203
2. Part Name: 2512 Key
3. Material: PBT UL94 V0
4. Color: Black ,White

**Ordering Information and Dimensions:**

Part No.	Color
251200HK202	White
251200HK203	Black