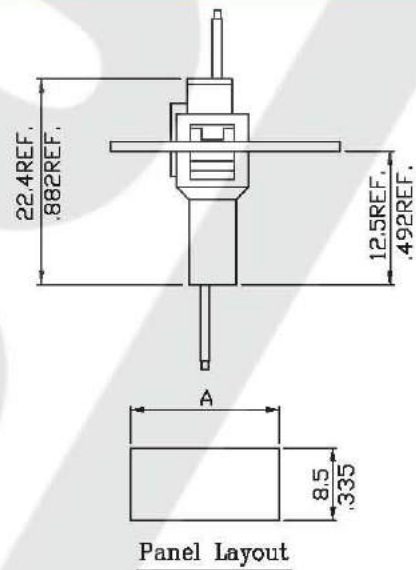
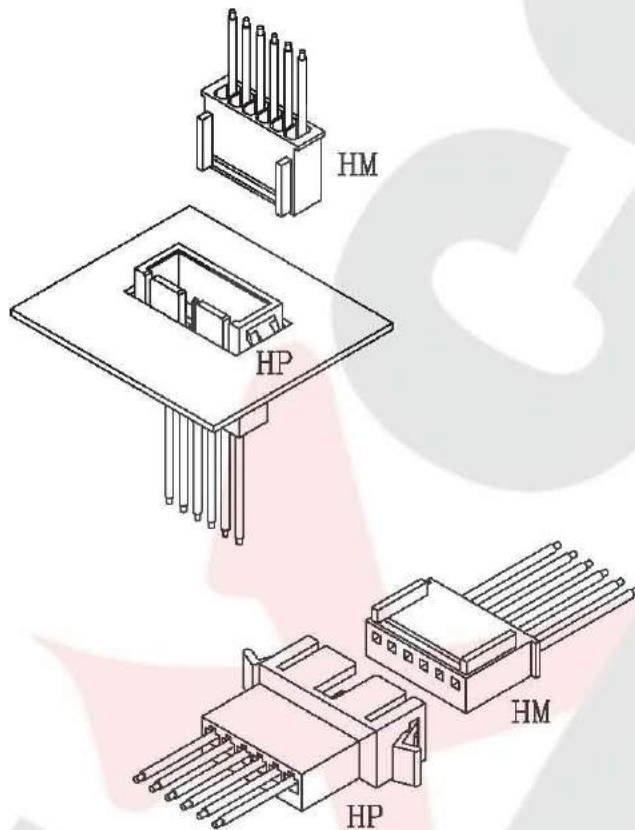


■ Specifications

1. Current rating: 3A AC/DC
2. Voltage rating: 250V AC/DC
3. Withstand voltage: 1000V AC/minute
4. Insulation resistance: 1000M Ω min
5. Contact resistance: 20m Ω max
6. Temperature range: -25°C to +105°C
7. Applicable panel thickness: 1.6 mm (0.062")
8. Applicable wires: AWG#28-#22
Insulation O.D.: 1.2-1.9mm
9. Circuits: 2~16 circuits available



Layout Dimensions:

Circuits	Dim A	Circuits	Dim A
2	12.40(.488)	10	32.40(1.278)
3	14.90(.587)	11	34.90(1.374)
4	17.40(.685)	12	37.40(1.472)
5	19.90(.783)	13	39.90(1.571)
6	22.40(.882)	14	42.40(1.669)
7	24.90(.980)	15	44.90(1.768)
8	27.40(1.079)	16	47.40(1.866)
9	29.90(1.177)		

Part Code Information:

2513-WW XX YY

① ② ③ ④

① Series Name

② Circuits Number

02~16

00 For Terminal

③ Product Type

HF=Housing,Female,Free hanging

HP=Housing,Female,Panel mount

HM=Housing,Male

TA=Terminal,male type

TB=Terminal,female type

④ Material/Finishing/Color

001=Brass,Tin Plated

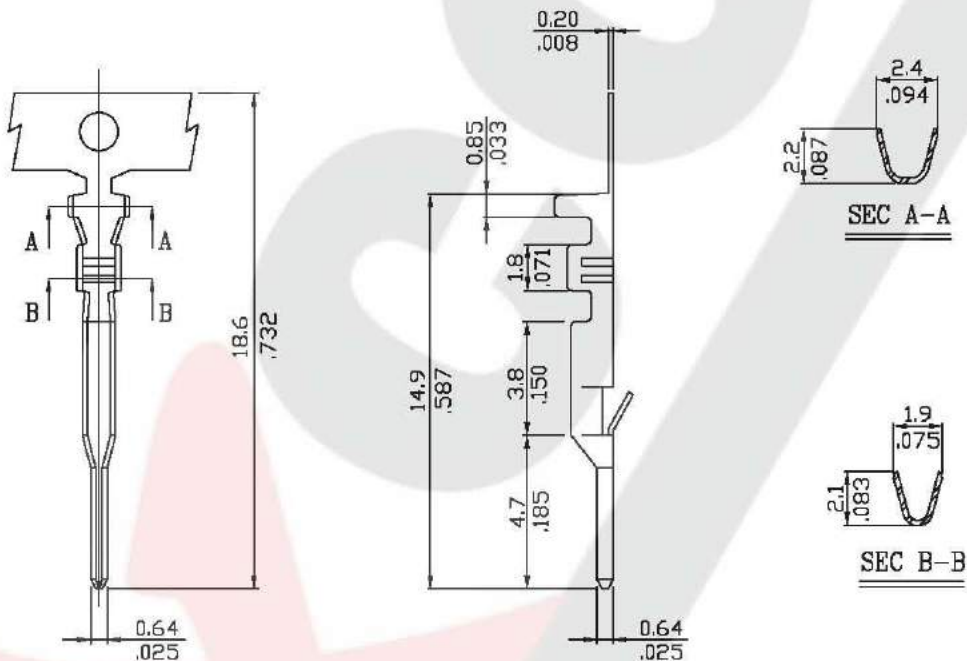
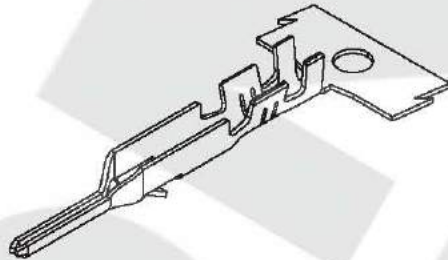
051=Brass,Tin Pre-Plated

351=Phosphor,Tin Pre-Plated

001=NY 66 94V0,Natural Color

Crimp Terminal(Male)

1. Part No.: 251300TA051 ,251300TA001
2. Part Name: 2513 Terminal
3. Material: Brass bronze
4. Finishing: Tin pre-plated ,Tin plated
5. Use for 2513xxHF , 2513xxHP



Ordering Information and Dimensions:

Part No.	Wire Range	Insulation O.D.	Material	Finishing	Q'ty/reel
251300TA051	AWG#28~#22	1.2-1.9mm	Brass	Tin pre-plated	10,000pcs
251300TA001	AWG#28~#22	1.2-1.9mm	Brass	Tin plated	10,000pcs

Part Code Information:

2513-WW XX YYY

① ② ③ ④

① Series Name

② Circuits Number

00 For Terminal

③ Product Type

TA=Terminal,male type

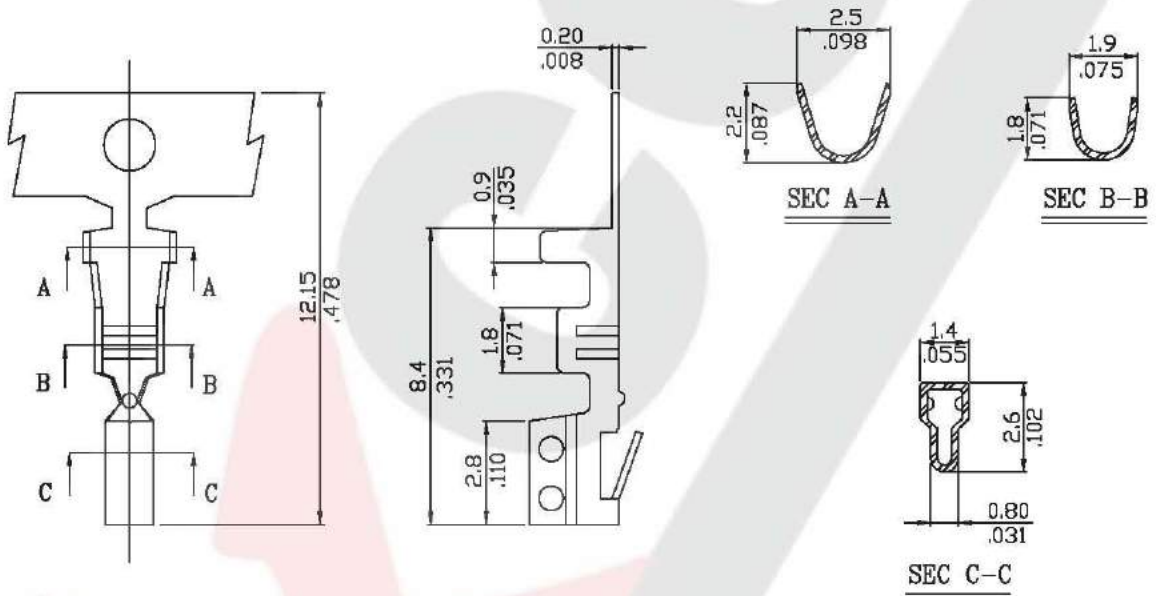
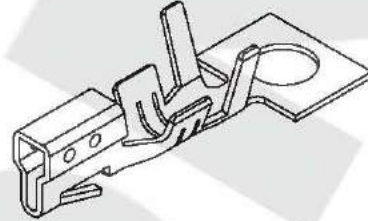
④ Material/Finishing/Color

001=Brass,Tin Plated

051=Brass,Tin Pre-Plated

Crimp Terminal(Female)

1. Part No.: 251300TB051 ,251300TB351
2. Part Name: 2513 Terminal
3. Material: Brass Phosphor
4. Finishing: Tin pre-plated
5. Use for 2513xxHM



Ordering Information and Dimensions:

Part No.	Wire Range	Insulation O.D.	Material	Finishing	Q'ty/reel
251300TB051	AWG#28~#22	1.2-1.9mm	Brass	Tin pre-plated	10,000pcs
251300TB351	AWG#28~#22	1.2-1.9mm	Phosphor	Tin pre-plated	10,000pcs

Part Code Information:

2513-WW XX YYY

① ② ③ ④

- ① Series Name
- ② Circuits Number
- 00 For Terminal

③ Product Type

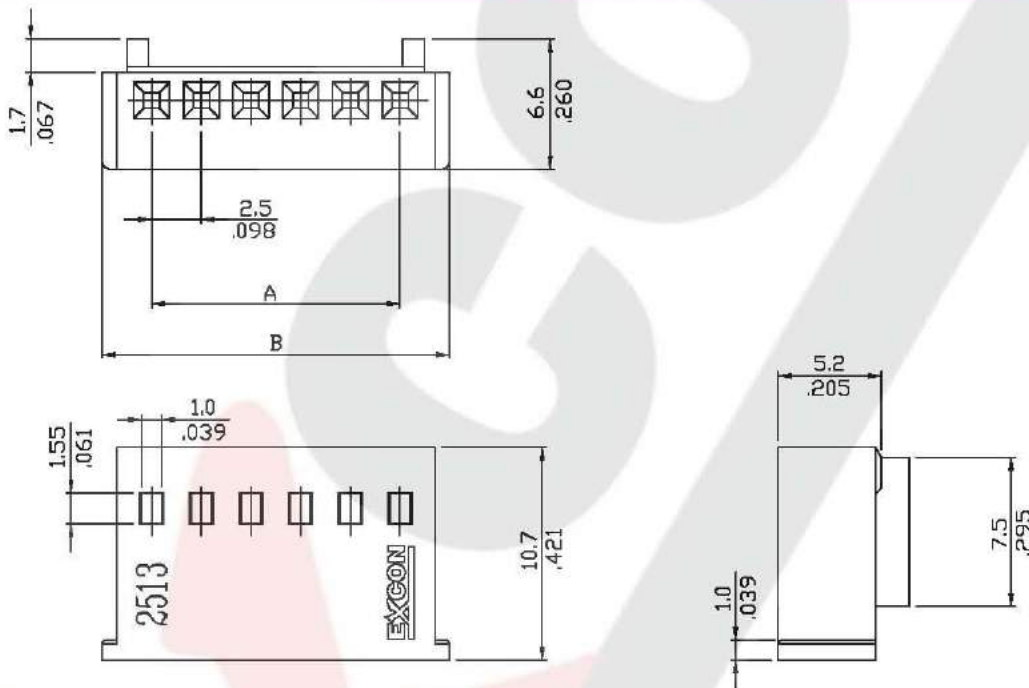
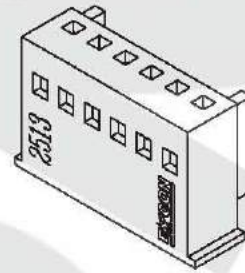
TB=Terminal,female type

④ Material/Finishing/Color

051=Brass,Tin Pre-Plated
351=Phosphor,Tin Pre-Plated

Housing(Male type)

1. Part No.: 2513xxHM001
2. Part Name: 2513 Housing
3. Material: Nylon 66 UL 94V0
4. Color: Natural



Ordering Information and Dimensions:

Part No.	Circuits	Dim A	Dim B	Part No.	Circuits	Dim A	Dim B
251302HM001	2	2.5(.098)	6.00(.236)	251310HM001	10	22.5(.886)	26.00(1.024)
251303HM001	3	5.0(.197)	8.50(.335)	251311HM001	11	25.0(.984)	28.50(1.122)
251304HM001	4	7.5(.295)	11.00(.433)	251312HM001	12	27.5(1.083)	31.00(1.220)
251305HM001	5	10.0(.394)	13.50(.531)	251313HM001	13	30.0(1.181)	33.50(1.319)
251306HM001	6	12.5(.492)	16.00(.630)	251314HM001	14	32.5(1.280)	36.00(1.417)
251307HM001	7	15.0(.591)	18.50(.728)	251315HM001	15	35.0(1.378)	38.50(1.516)
251308HM001	8	17.5(.689)	21.00(.827)	251316HM001	16	37.5(1.476)	41.00(1.614)
251309HM001	9	20.0(.787)	23.50(.925)				

Part Code Information:

2513-WW XX YYY

① ② ③ ④

① Series Name

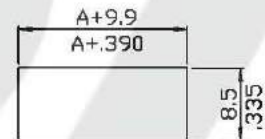
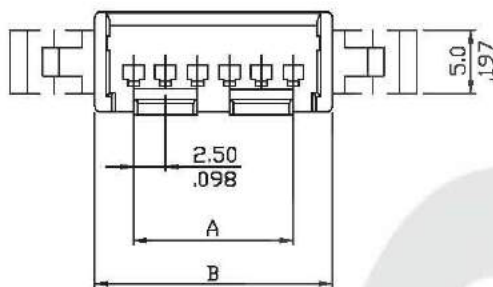
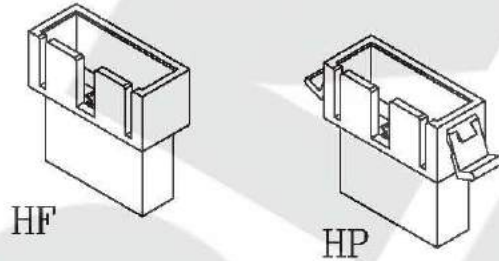
② Circuits Number
02~16

③ Product Type
HM=Housing,Male

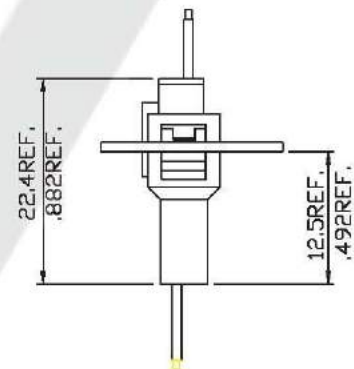
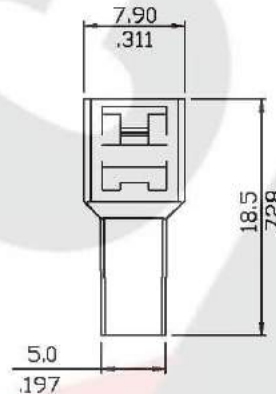
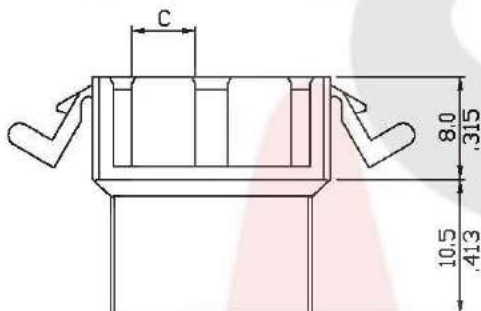
④ Material/Finishing/Color
001=NY 66 94V0,Natural Color

Housing(Female type)

- Part No.: 2513xxHP001
2513xxHF001
- Part Name: 2513 Housing
- Material: Nylon 66 UL 94V0
- Color: Natural



Panel Layout



Ordering Information and Dimensions:

Part No.		Circuits	Dim A	Dim B	Dim C	Part No.		Circuits	Dim A	Dim B	Dim C
Free Hanging	Panel Mount					Free Hanging	Panel Mount				
251302HF001	251302HP001	2	2.5(.098)	8.6(.339)	2.50(.098)	251310HF001	251310HP001	10	22.5(.886)	28.6(1.126)	5.00(.197)
251303HF001	251303HP001	3	5.0(.197)	11.1(.437)	5.00(.197)	251311HF001	251311HP001	11	25.0(.984)	31.1(1.224)	5.00(.197)
251304HF001	251304HP001	4	7.5(.295)	13.6(.535)	7.50(.295)	251312HF001	251312HP001	12	27.5(1.083)	33.6(1.323)	5.00(.197)
251305HF001	251305HP001	5	10.0(.394)	16.1(.634)	3.75(.148)	251313HF001	251313HP001	13	30.0(1.181)	36.1(1.421)	5.00(.197)
251306HF001	251306HP001	6	12.5(.492)	18.6(.732)	5.00(.197)	251314HF001	251314HP001	14	32.5(1.280)	38.6(1.520)	5.00(.197)
251307HF001	251307HP001	7	15.0(.591)	21.1(.831)	5.00(.197)	251315HF001	251315HP001	15	35.0(1.378)	41.1(1.618)	5.00(.197)
251308HF001	251308HP001	8	17.5(.689)	23.6(.929)	5.00(.197)	251316HF001	251316HP001	16	37.5(1.476)	43.6(1.717)	5.00(.197)
251309HF001	251309HP001	9	20.0(.787)	26.1(1.028)	5.00(.197)						

Part Code Information:

2513-WW XX YYY

① ② ③ ④

① Series Name

② Circuits Number

02~16

③ Product Type

HF=Housing,Female,Free Hanging

HP=Housing,Female,Panel Mount

④ Material/Finishing/Color

001=NY 66 94V0,Natural Color