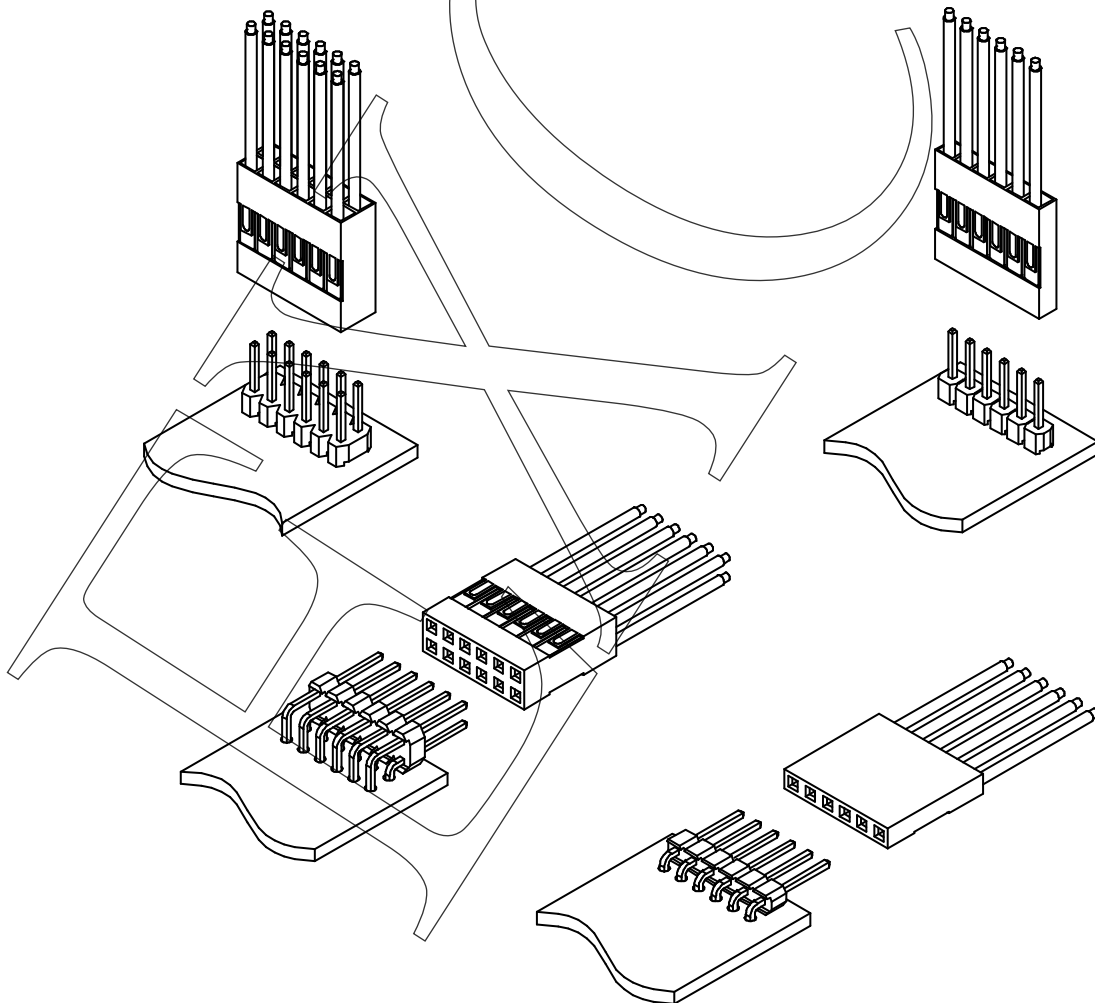


## 2542 2543 SERIES

■ Wire to Board System  
pitch 2.54mm(.100")

■ Specifications

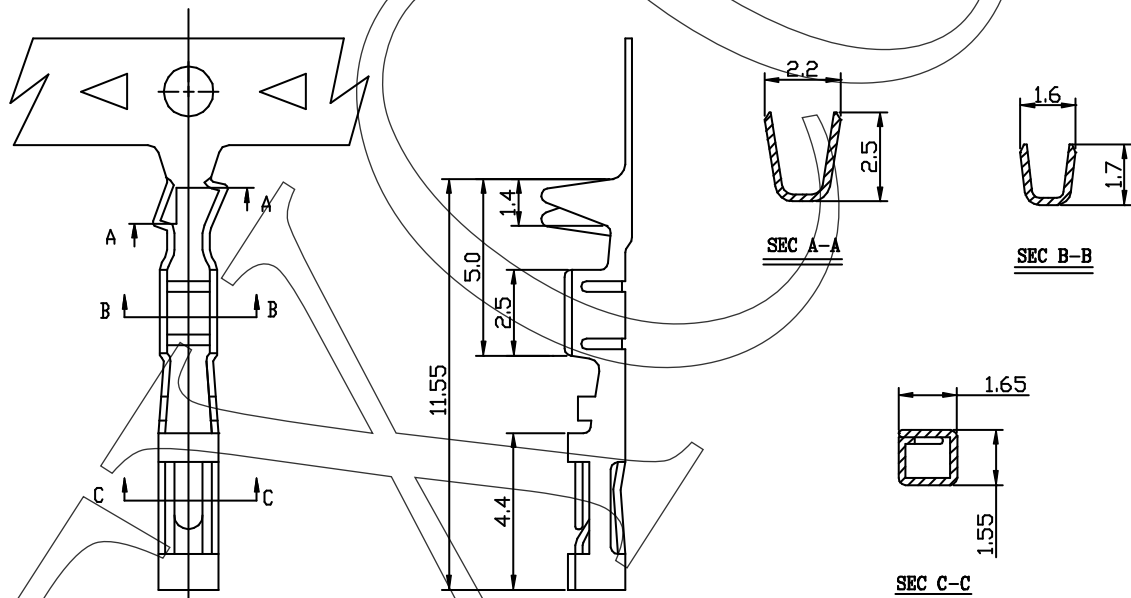
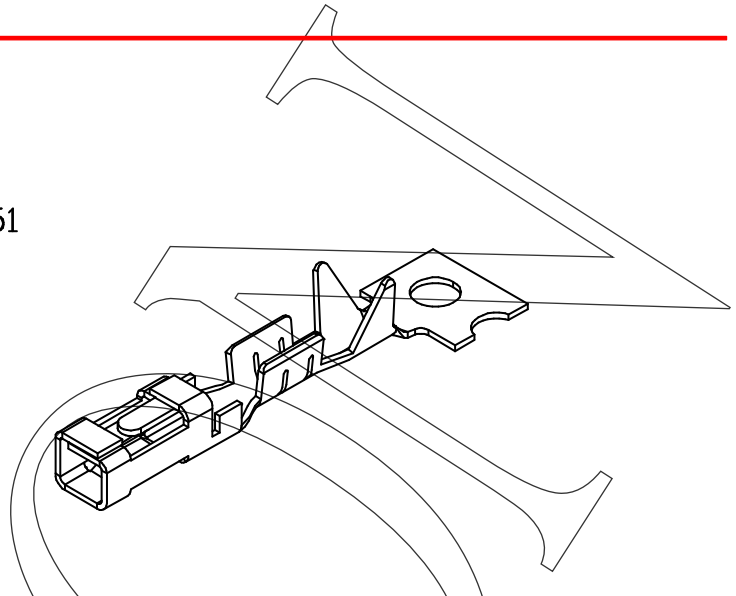
1. Current rating: 3A AC/DC
2. Voltage rating: 250V AC/DC
3. Withstand voltage: 1000V AC/minute
4. Insulation resistance: 1000M ohm min
5. Contact resistance: 10m ohm max
6. Temperature range: -25°C to +85°C
7. Applicable PC board thickness:  
1.0~1.6mm(.039" to .063")
8. Applicable wires: AWG#28-#22  
Insulation O.D.: 1.2-1.7mm
9. Circuits: 1~30 circuits available



## 2542 SERIES

### Crimp Terminal

1. Part No.: 254200TC201 , 254200TC051
2. Part Name: 2542 Terminal
3. Material: Brass bronze
4. Finishing: Tin pre-plated, gold flash



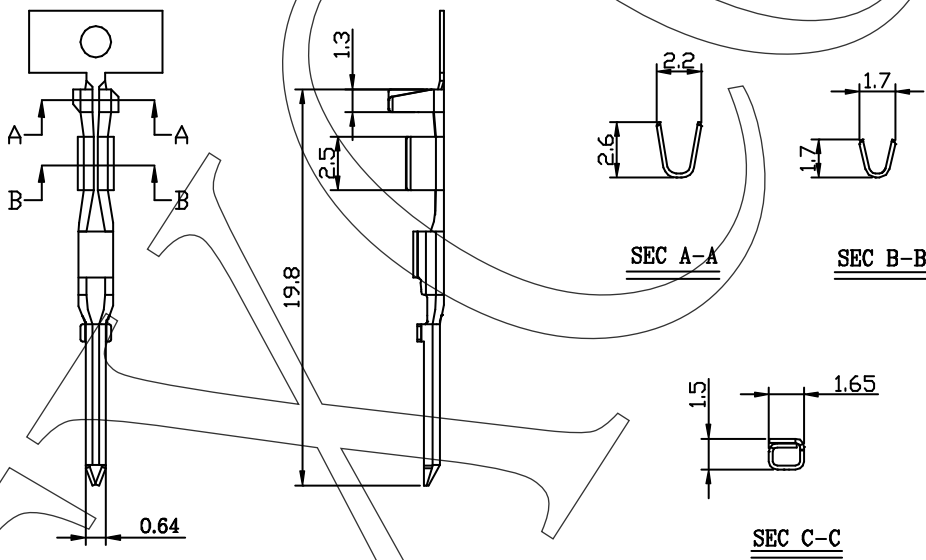
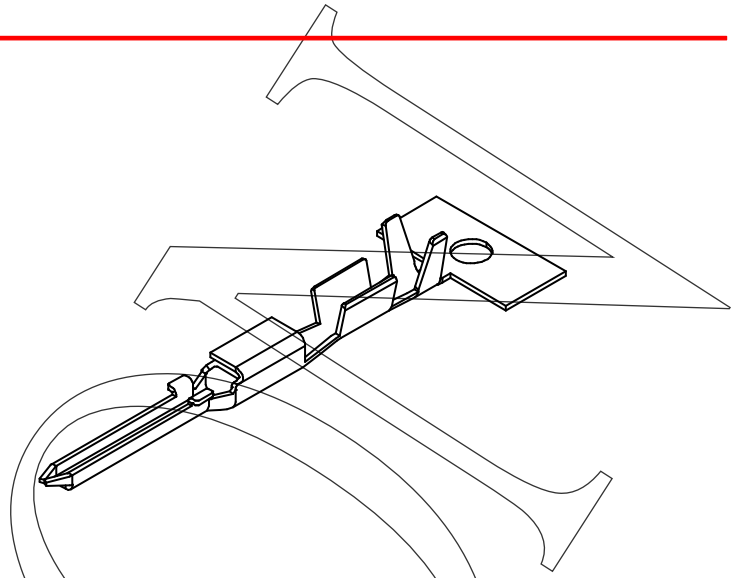
### Ordering Information and Dimensions:

Part No.	Wire Range	Insulation O.D.	Material	Finishing	Q'ty/reel
254200TC201	AWG#28~#22	1.2-1.7mm	Brass	Gold flash	10,000pcs
254200TC051	AWG#28~#22	1.2-1.7mm	Brass	Tin pre-plated	10,000pcs

## 2542 SERIES

### Crimp Terminal

1. Part No.: 254200TA001
2. Part Name: 2542 Terminal
3. Material: Brass bronze
4. Finishing: Tin plated



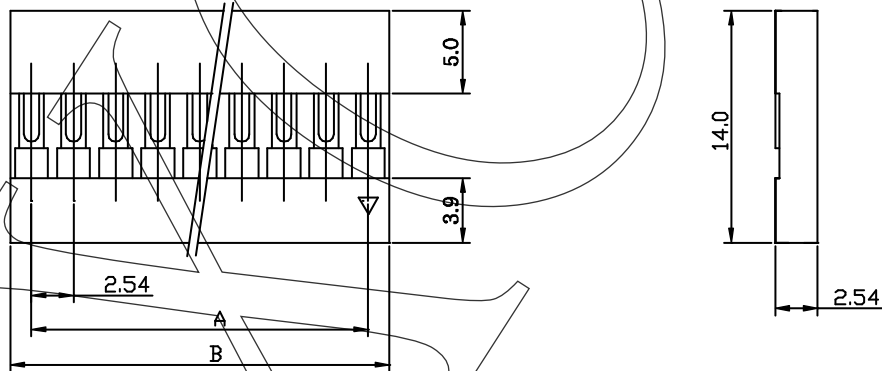
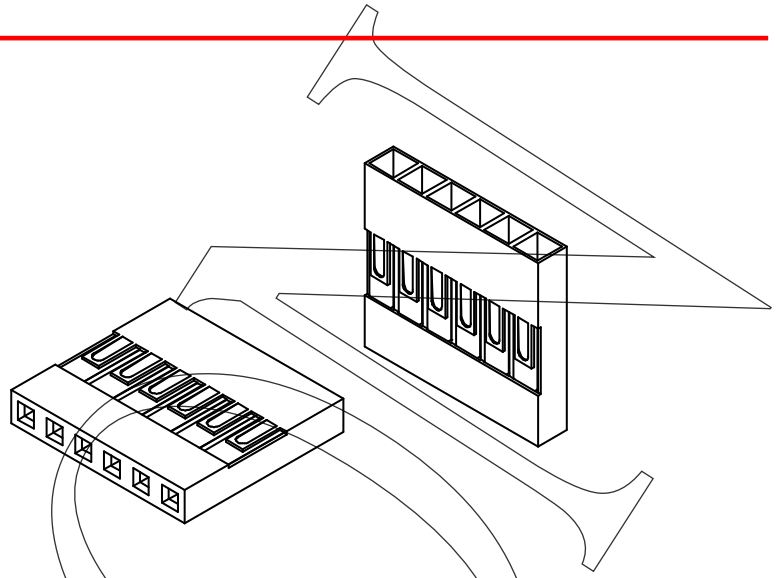
### Ordering Information and Dimensions:

Part No.	Wire Range	Insulation O.D.	Material	Finishing	Q'ty/reel
254200TA201	AWG#28~#22	1.2-1.7mm	Brass	Tin plated	10,000pcs

## 2542 SERIES

### Housing(Single Row)

1. Part No.: 2542xxHA298
2. Part Name: 2542 Housing
3. Material: PPO UL94V1
4. Color: Black



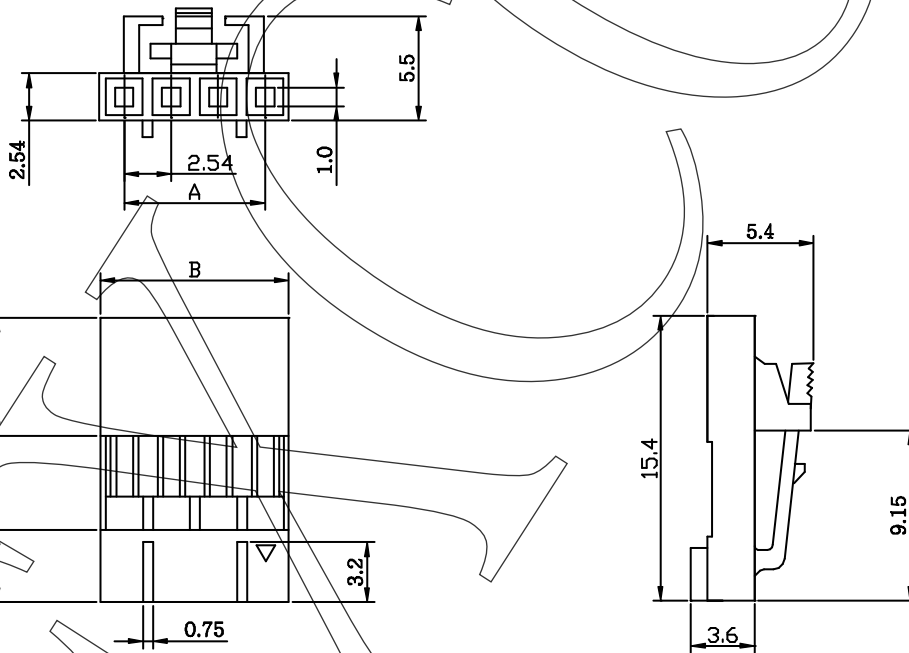
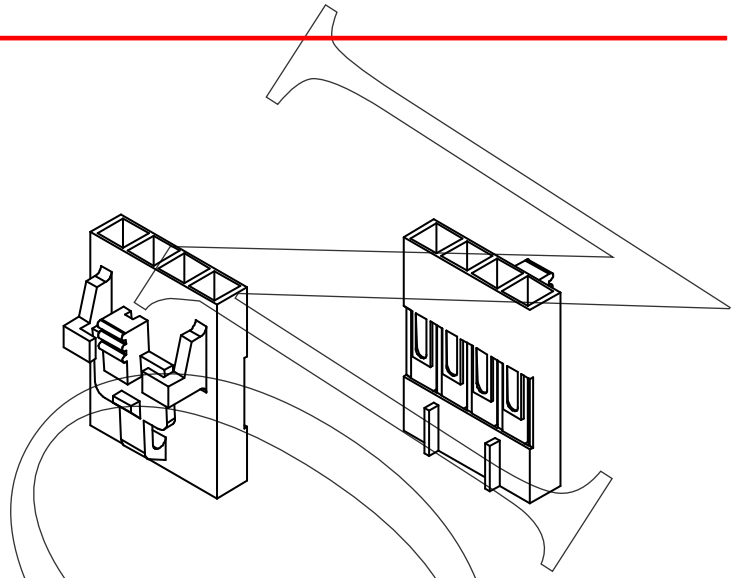
### Ordering Information and Dimensions:

Part No.	Circuits	Dim A	Dim B	Part No.	Circuits	Dim A	Dim B
254201HA298	1	--	2.54	254209HA298	9	20.32	22.86
254202HA298	2	2.54	5.08	254210HA298	10	22.86	25.40
254203HA298	3	5.08	7.62	254211HA298	11	25.40	27.94
254204HA298	4	7.62	10.16	254212HA298	12	27.94	30.48
254205HA298	5	10.16	12.70	254213HA298	13	30.48	33.02
254206HA298	6	12.70	15.24	254214HA298	14	33.02	35.56
254207HA298	7	15.24	17.78	254215HA298	15	35.56	38.10
254208HA298	8	17.78	20.32				

## 2542 SERIES

Housing(With lock)

1. Part No.: 254204HH298
2. Part Name: 2542 Housing
3. Material: PPO UL94V1
4. Color: Black
9. Circuits: 4 circuits



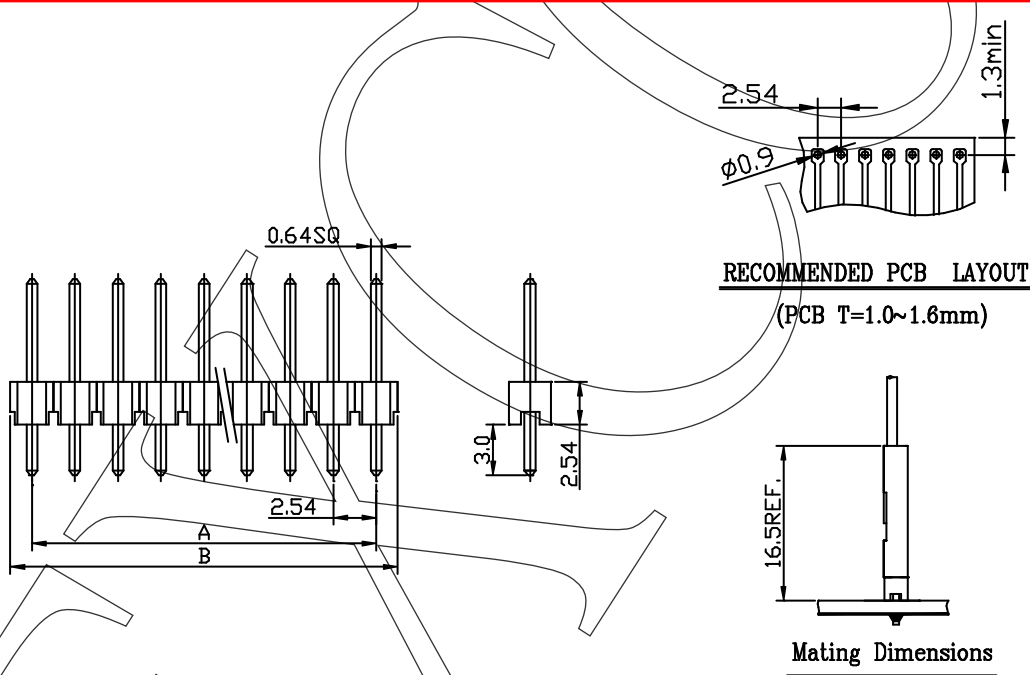
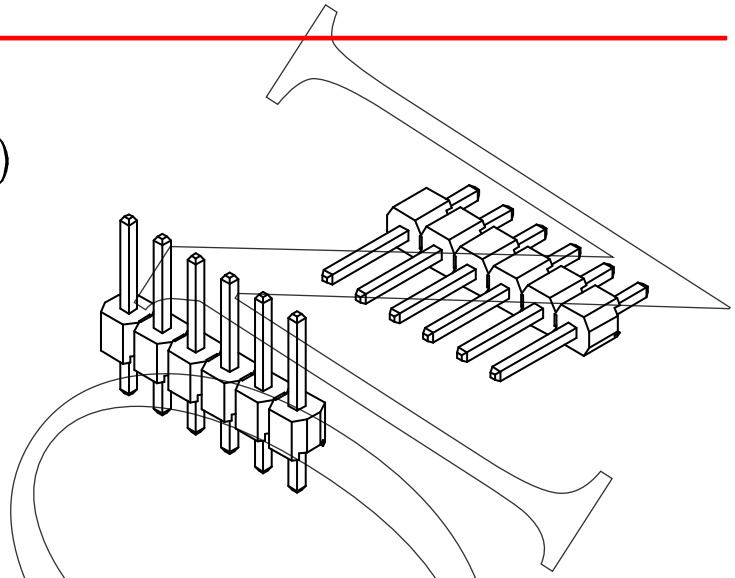
Ordering Information and Dimensions:

Part No.	Circuits	Dim A	Dim B
254204HH298	4	7.62	10.2

## 2542 SERIES

Wafer (Vertical type, Single row)

1. Part No.: 2542xxWV203
2. Part Name: 2542 Wafer
3. Material: PBT 94V0  
Pin: Brass bronze, Gold plated
5. Color: Black



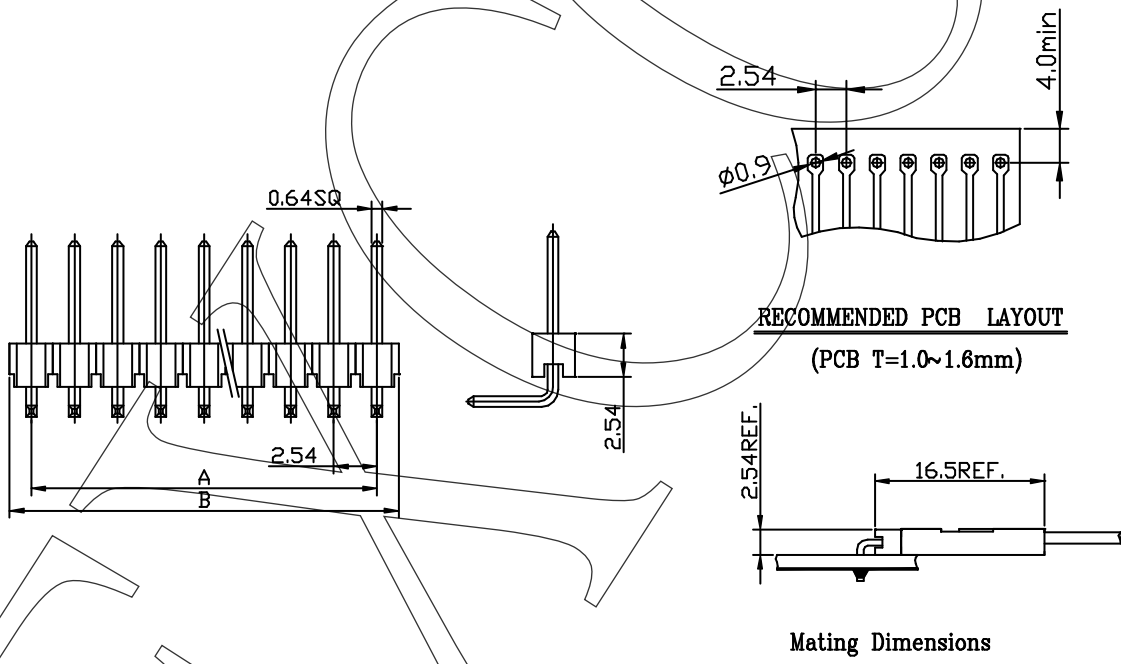
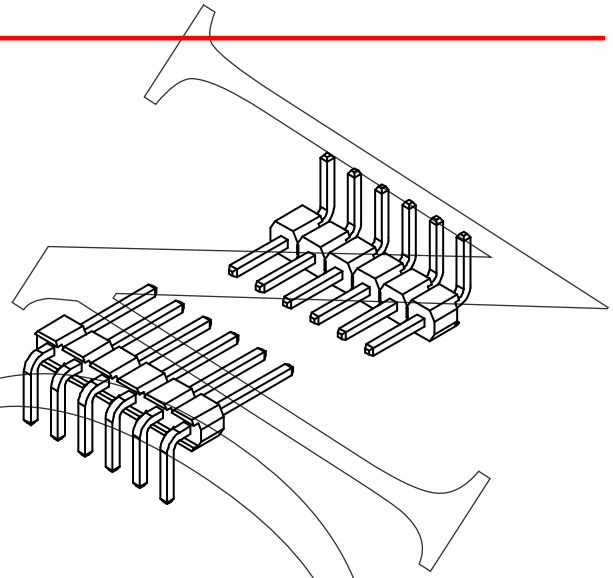
### Ordering Information and Dimensions:

Part No.	Circuits	Dim A	Dim B	Part No.	Circuits	Dim A	Dim B
254201WV203	1	--	2.54	254209WV203	9	20.32	22.86
254202WV203	2	2.54	5.08	254210WV203	10	22.86	25.40
254203WV203	3	5.08	7.62	254211WV203	11	25.40	27.94
254204WV203	4	7.62	10.16	254212WV203	12	27.94	30.48
254205WV203	5	10.16	12.70	254213WV203	13	30.48	33.02
254206WV203	6	12.70	15.24	254214WV203	14	33.02	35.56
254207WV203	7	15.24	17.78	254215WV203	15	35.56	38.10
254208WV203	8	17.78	20.32				

## 2542 SERIES

Wafer (Right Angle type, Single row)

1. Part No.: 2542xxWR203
2. Part Name: 2542 Wafer
3. Material: PBT 94V0  
Pin: Brass bronze, Gold plated
5. Color: Black



### Ordering Information and Dimensions:

Part No.	Circuits	Dim A	Dim B	Part No.	Circuits	Dim A	Dim B
254201WV203	1	--	2.54	254209WV203	9	20.32	22.86
254202WV203	2	2.54	5.08	254210WV203	10	22.86	25.40
254203WV203	3	5.08	7.62	254211WV203	11	25.40	27.94
254204WV203	4	7.62	10.16	254212WV203	12	27.94	30.48
254205WV203	5	10.16	12.70	254213WV203	13	30.48	33.02
254206WV203	6	12.70	15.24	254214WV203	14	33.02	35.56
254207WV203	7	15.24	17.78	254215WV203	15	35.56	38.10
254208WV203	8	17.78	20.32				

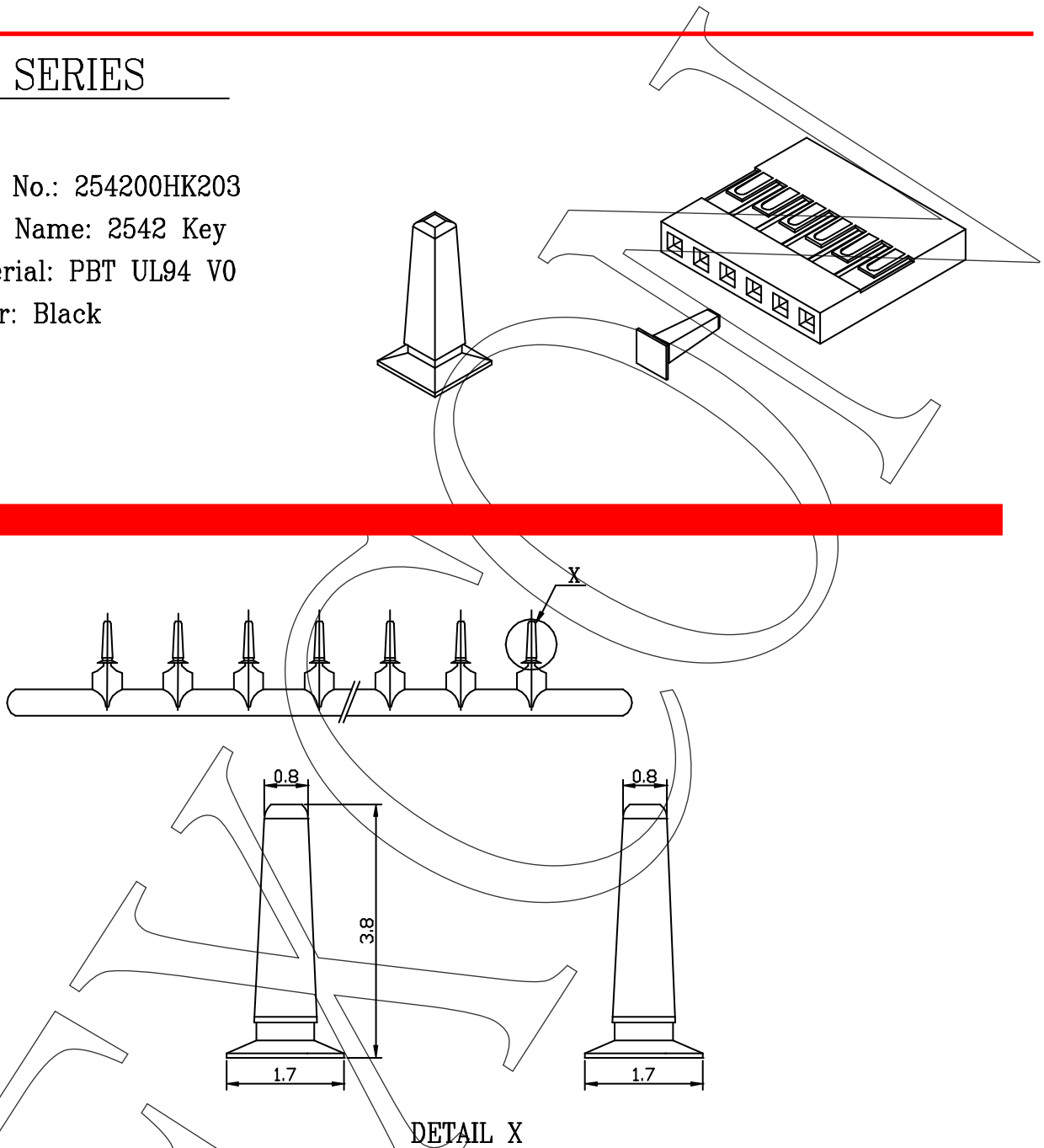
---

**2542 SERIES**

---

**Key**

1. Part No.: 254200HK203
2. Part Name: 2542 Key
3. Material: PBT UL94 V0
4. Color: Black



---

**Ordering Information and Dimensions:**

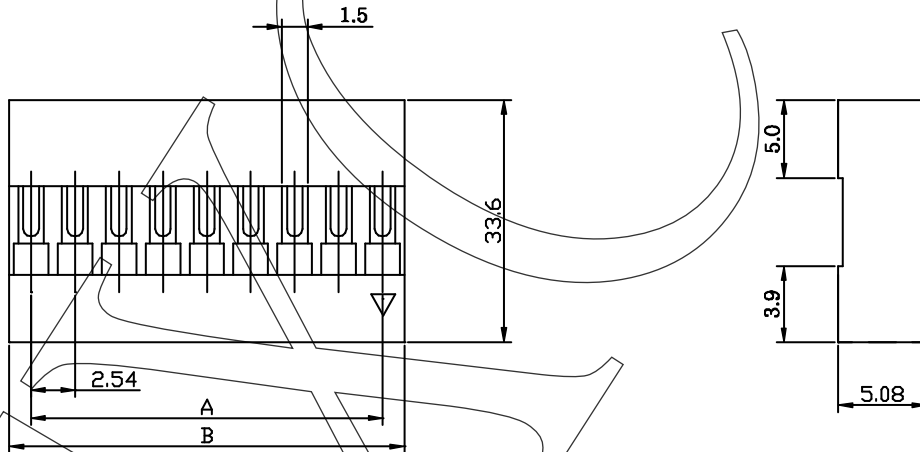
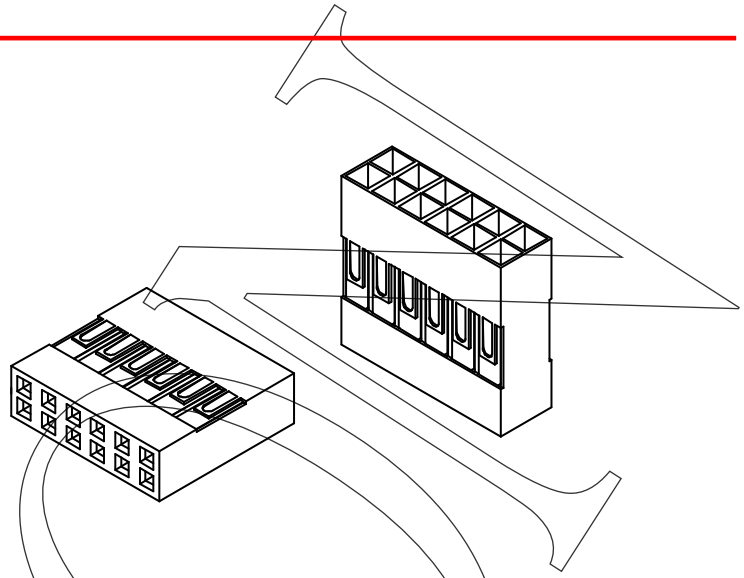
Part No.	Color
254200HK202	White
254200HK203	Black



## 2543 SERIES

Housing(Double Row)

1. Part No.: 2543xxHA298
2. Part Name: 2543 Housing
3. Material: PPO UL94V1
4. Color: Black



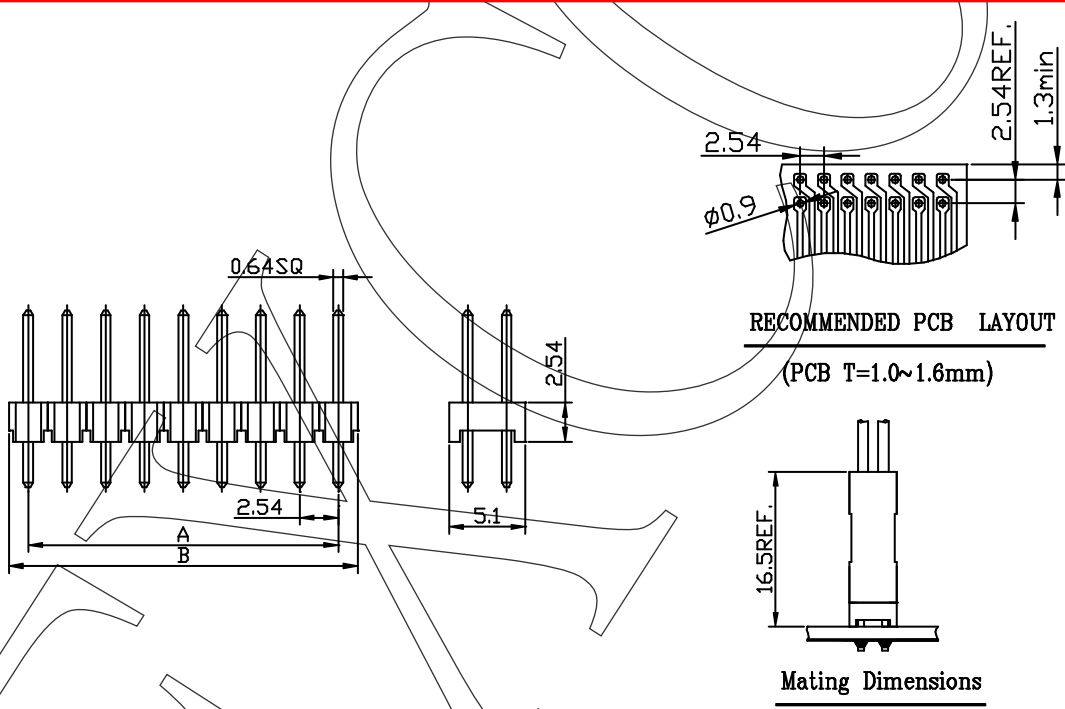
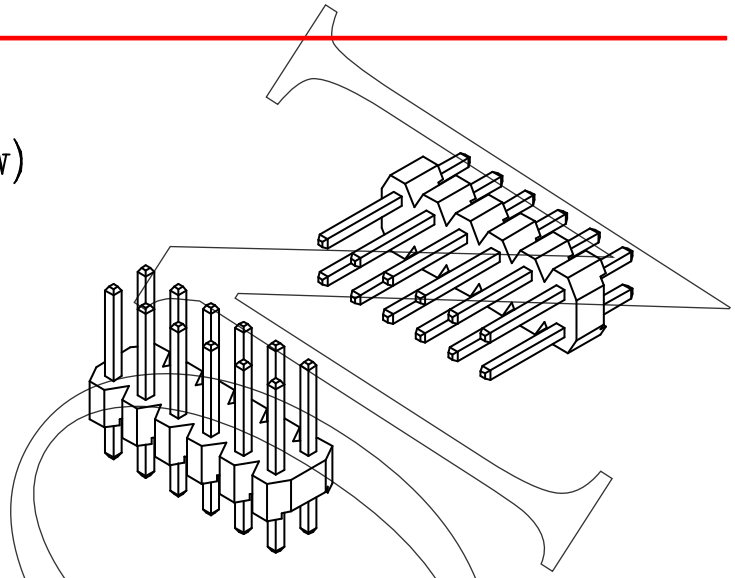
### Ordering Information and Dimensions:

Part No.	Circuits	Dim A	Dim B	Part No.	Circuits	Dim A	Dim B
254304HA298	4	2.54	5.08	254318HA298	18	20.32	22.86
254306HA298	6	5.08	7.62	254320HA298	20	22.86	25.40
254308HA298	8	7.62	10.16	254322HA298	22	25.40	27.94
254310HA298	10	10.16	12.70	254324HA298	24	27.94	30.48
254312HA298	12	12.70	15.24	254326HA298	26	30.48	33.02
254314HA298	14	15.24	17.78	254328HA298	28	33.02	35.56
254316HA298	16	17.78	20.32	254330HA298	30	35.56	38.10

## 2543 SERIES

Wafer (Vertical type, Double row)

1. Part No.: 2543xxWV203
2. Part Name: 2543 Wafer
3. Material: PBT 94V0  
Pin: Brass bronze, Gold plated
5. Color: Black



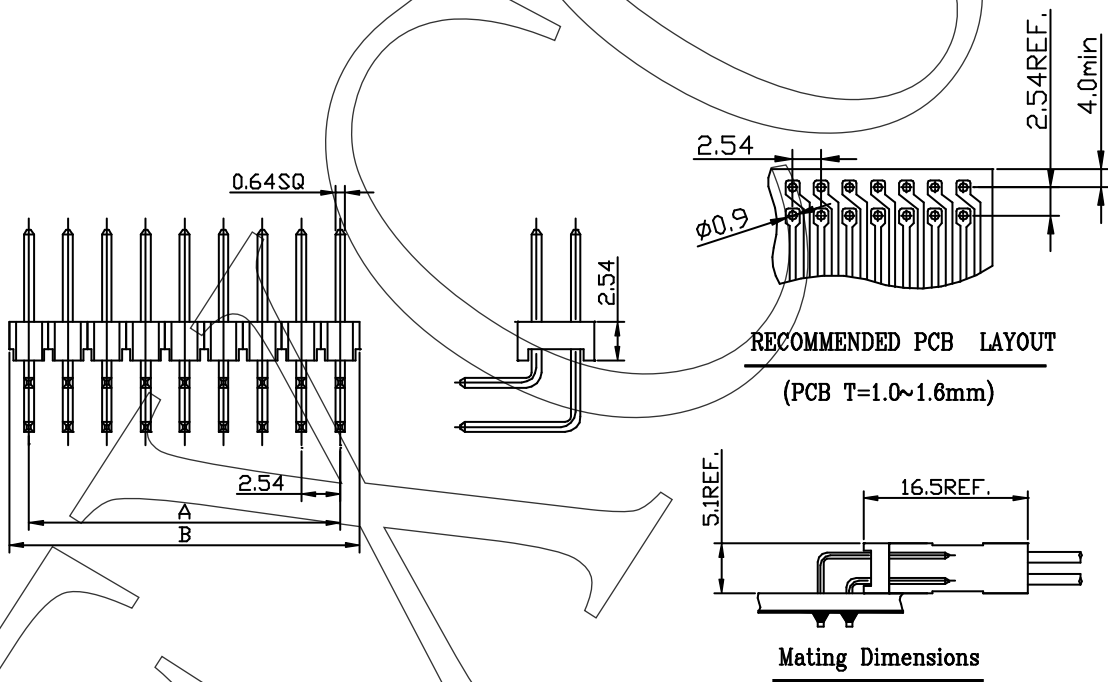
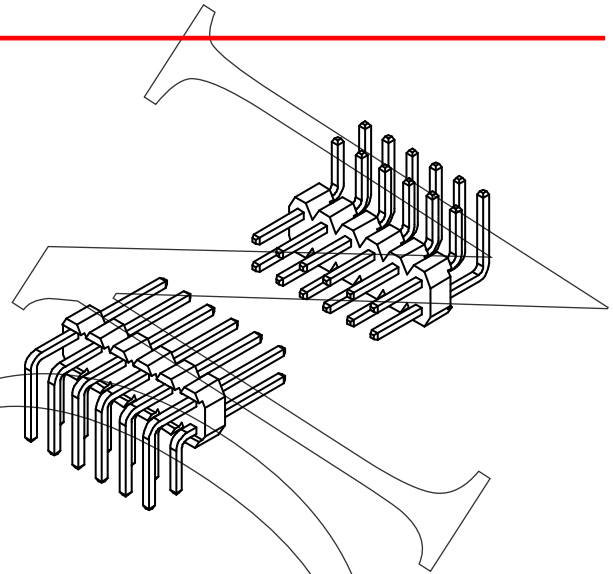
### Ordering Information and Dimensions:

Part No.	Circuits	Dim A	Dim B	Part No.	Circuits	Dim A	Dim B
254304WV203	4	2.54	5.06	254318WV203	18	20.32	22.86
254306WV203	6	5.08	7.62	254320WV203	20	22.86	25.40
254308WV203	8	7.62	10.16	254322WV203	22	25.40	27.94
254310WV203	10	10.16	12.70	254324WV203	24	27.94	30.48
254312WV203	12	12.70	15.24	254326WV203	26	30.48	33.02
254314WV203	14	15.24	17.78	254328WV203	28	33.02	35.56
254316WV203	16	17.78	20.32	254330WV203	30	35.56	38.10

## 2543 SERIES

Wafer (Right Angle type, Double row)

1. Part No.: 2543xxWR203
2. Part Name: 2543 Wafer
3. Material: PBT 94V0  
Pin: Brass bronze, Gold plated
5. Color: Black



### Ordering Information and Dimensions:

Part No.	Circuits	Dim A	Dim B	Part No.	Circuits	Dim A	Dim B
254304WR203	4	2.54	5.06	254318WR203	18	20.32	22.86
254306WR203	6	5.08	7.62	254320WR203	20	22.86	25.40
254308WR203	8	7.62	10.16	254322WR203	22	25.40	27.94
254310WR203	10	10.16	12.70	254324WR203	24	27.94	30.48
254312WR203	12	12.70	15.24	254326WR203	26	30.48	33.02
254314WR203	14	15.24	17.78	254328WR203	28	33.02	35.56
254316WR203	16	17.78	20.32	254330WR203	30	35.56	38.10