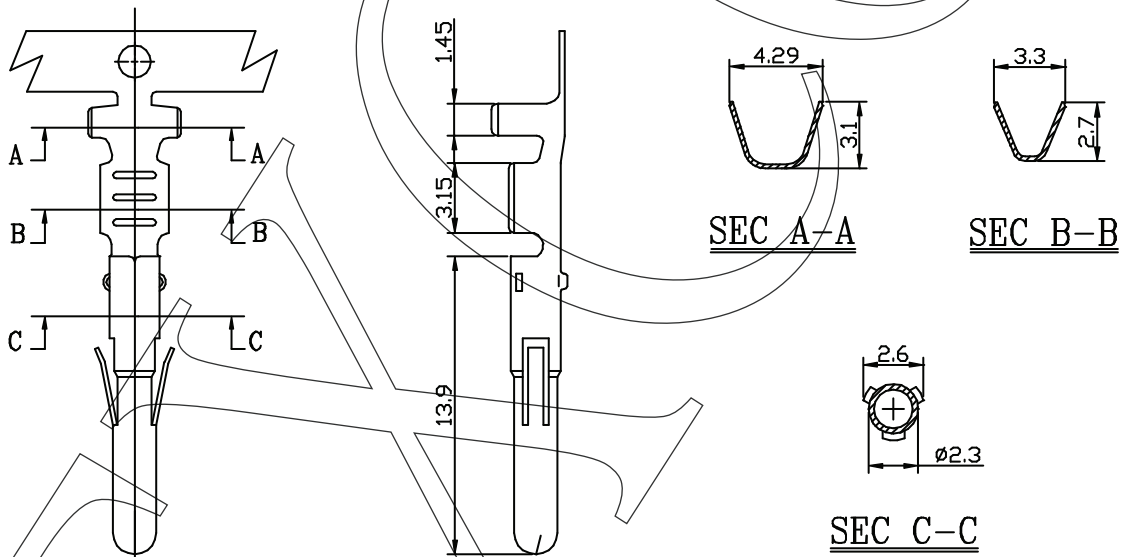
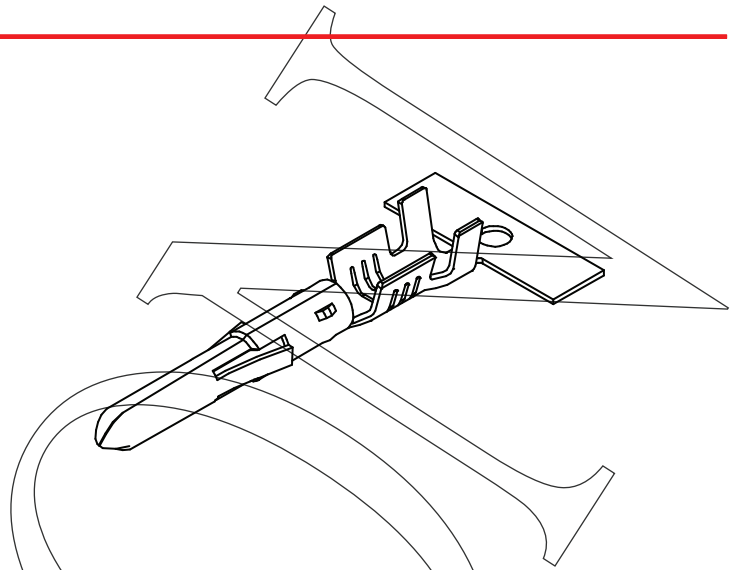


## 5082 SERIES

### Crimp Terminal

1. Part No.: 508200TC051
2. Part Name: 5082 Terminal
3. Material: Brass bronze
4. Finishing: Tin pre-plated



### Ordering Information and Dimensions:

Part No.	Wire Range	Insulation O.D.	Material	Finishing
508200TC051	AWG#24~#18	1.3~2.5mm	Brass	Tin pre-plated