

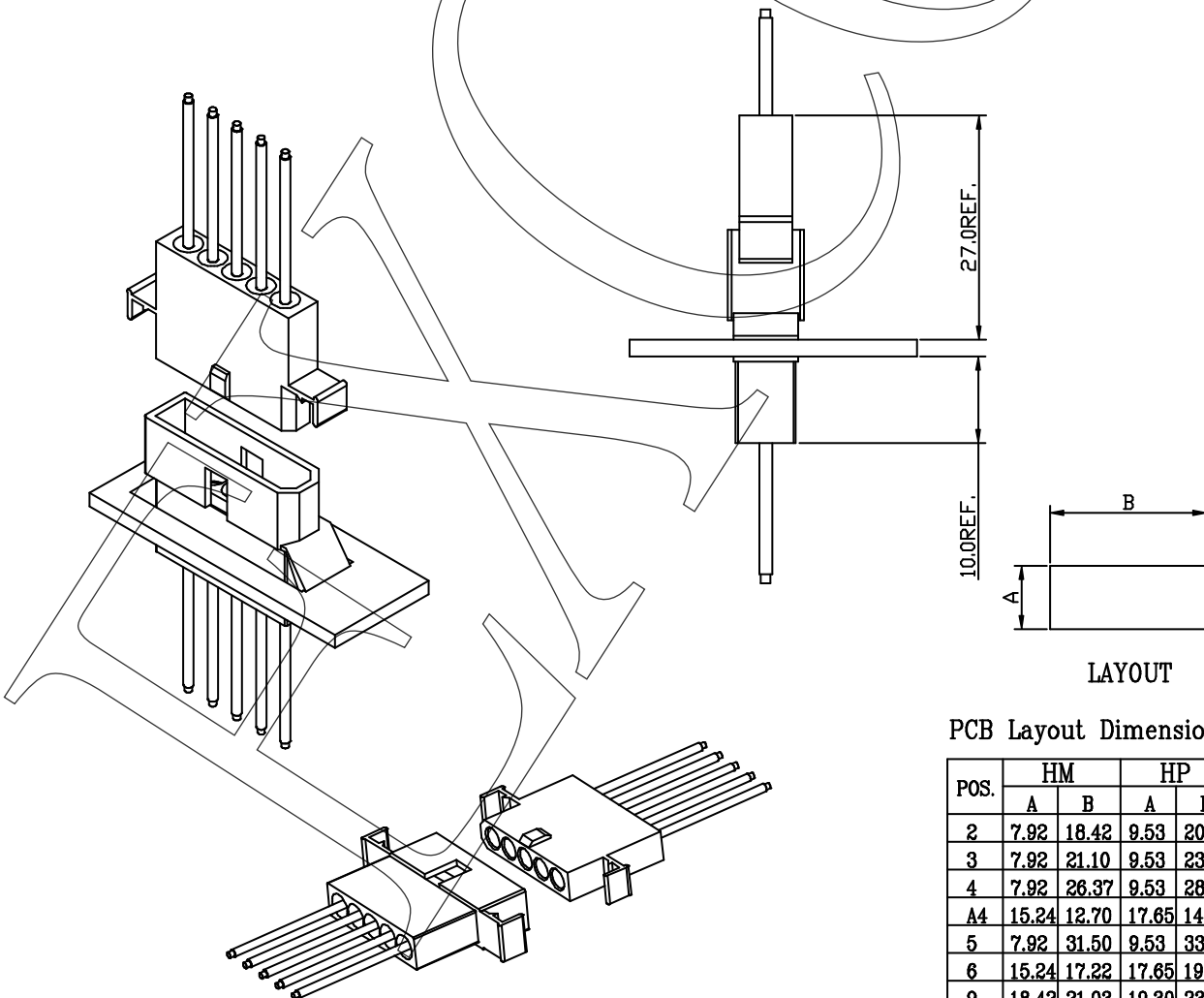
6607 SERIES

■ Wire to Wire System
pitch 5.03mm(.198")

■ Specifications

1. Current rating: 5A AC/DC
2. Voltage rating: 600V
3. Withstand voltage: 1500V AC/minute
4. Insulation resistance: 1000M ohm min
5. Contact resistance: 10m ohm max

6. Temperature range: -25°C to +85°C
7. Applicable panel thickness: 0.8-2.0mm
8. Applicable wires: AWG#24-#18
Insulation O.D.: 1.5-2.1mm
9. Circuits: 1,2,3,4,6,9,12,15



LAYOUT

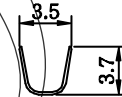
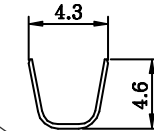
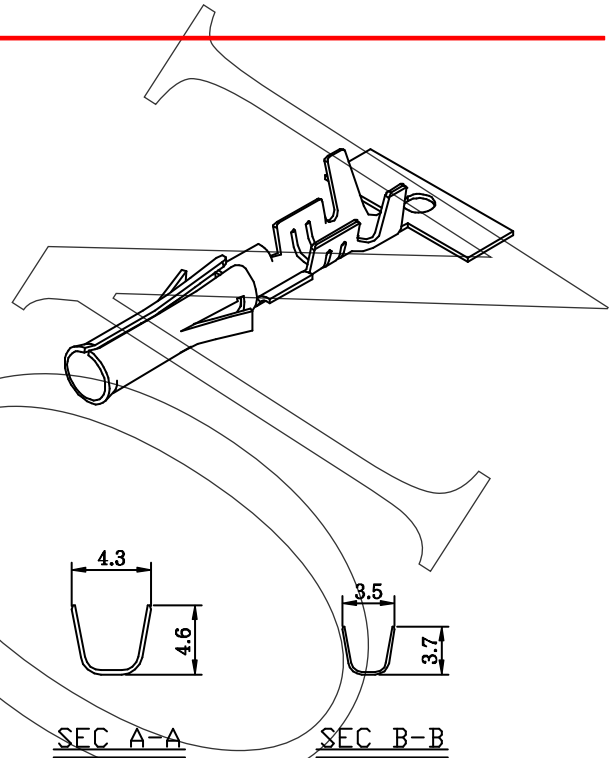
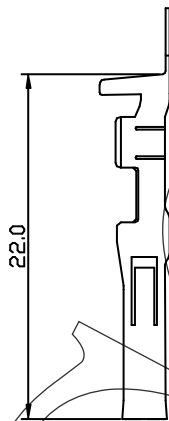
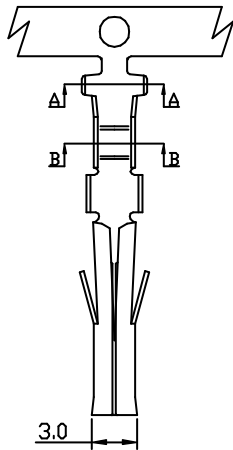
PCB Layout Dimensions:

POS.	HM		HP	
	A	B	A	B
2	7.92	18.42	9.53	20.32
3	7.92	21.10	9.53	23.70
4	7.92	26.37	9.53	28.73
A4	15.24	12.70	17.65	14.50
5	7.92	31.50	9.53	33.80
6	15.24	17.22	17.65	19.05
9	18.42	21.03	19.30	23.80
12	18.42	26.67	19.30	29.34
15	18.42	31.50	19.30	34.11

6607 SERIES

Crimp Terminal

Used for 6607xxHM series Housing



SEC A-A

SEC B-B

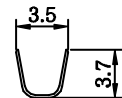
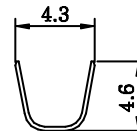
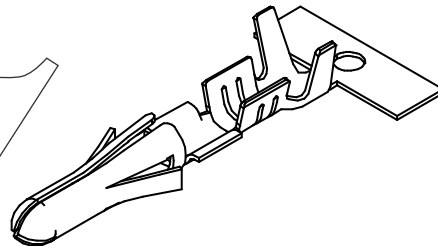
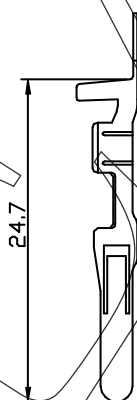
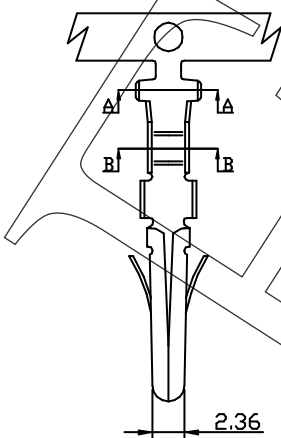
Ordering Information and Dimensions:

Part No.	Wire Range	Insulation O.D.	Material	Finishing	Q'ty/reel
660700TB051	AWG#20~#14	1.9-3.5mm	Brass	Tin pre-plated	4,000pcs
660700TM051	AWG#20~#24	1.5-2.7mm	Brass	Tin pre-plated	5,000pcs

6607 SERIES

Crimp Terminal

Used for 6607xxHF,HP series Housing



SEC A-A

SEC B-B

Ordering Information and Dimensions:

Part No.	Wire Range	Insulation O.D.	Material	Finishing	Q'ty/reel
660700TA051	AWG#20~#14	1.9-3.5mm	Brass	Tin pre-plated	4,000pcs
660700TP051	AWG#20~#24	1.5-2.7mm	Brass	Tin pre-plated	5,000pcs

6607 SERIES

Housing

1. Part No.: 6607xxHF051–Free Hanging
 6607xxHP051–Panel Mount
 6607xxHM051–Free Hanging
 6607xxHD051–Panel Mount
2. Part Name: 6607 Housing
3. Material: Nylon 66 UL 94V2
4. Color: Natural

Circuits	Dimensional Information	
	Female	Male
1	<p>660701HF051</p>	<p>660701HM051</p>
2	<p>660702HF051–Free Hanging 660702HP051–Panel Mount</p>	<p>660702HM051–Free Hanging 660702HD051–Panel Mount</p>

6607 SERIES

Circuits	Dimensional Information	
	Female	Male
3	<p>660703HF051—Free Hanging 660703HP051—Panel Mount</p>	<p>660703HM051—Free Hanging 660703HD051—Panel Mount</p>
4	<p>660704HF051—Free Hanging 660704HP051—Panel Mount</p>	<p>660704HM051—Free Hanging 660704HD051—Panel Mount</p>
A4	<p>6607A4HF051—Free Hanging 6607A4HP051—Panel Mount</p>	<p>6607A4HM051—Free Hanging 6607A4HD051—Panel Mount</p>
5	<p>660705HF051—Free Hanging 660705HP051—Panel Mount</p>	<p>660705HM051—Free Hanging 660705HD051—Panel Mount</p>

6607 SERIES

Circuits	Dimensional Information	
	Female	Male
6	<p>660706HF051-Free Hanging 660706HP051-Panel Mount</p>	<p>660706HM051-Free Hanging 660706HD051-Panel Mount</p>
9	<p>660709HF051-Free Hanging 660709HP051-Panel Mount</p>	<p>660709HM051-Free Hanging 660709HD051-Panel Mount</p>
12	<p>660712HF051-Free Hanging 660712HP051-Panel Mount</p>	<p>660712HM051-Free Hanging 660712HD051-Panel Mount</p>
15	<p>660715HF051-Free Hanging 660715HP051-Panel Mount</p>	<p>660715HM051-Free Hanging 660715HD051-Panel Mount</p>