

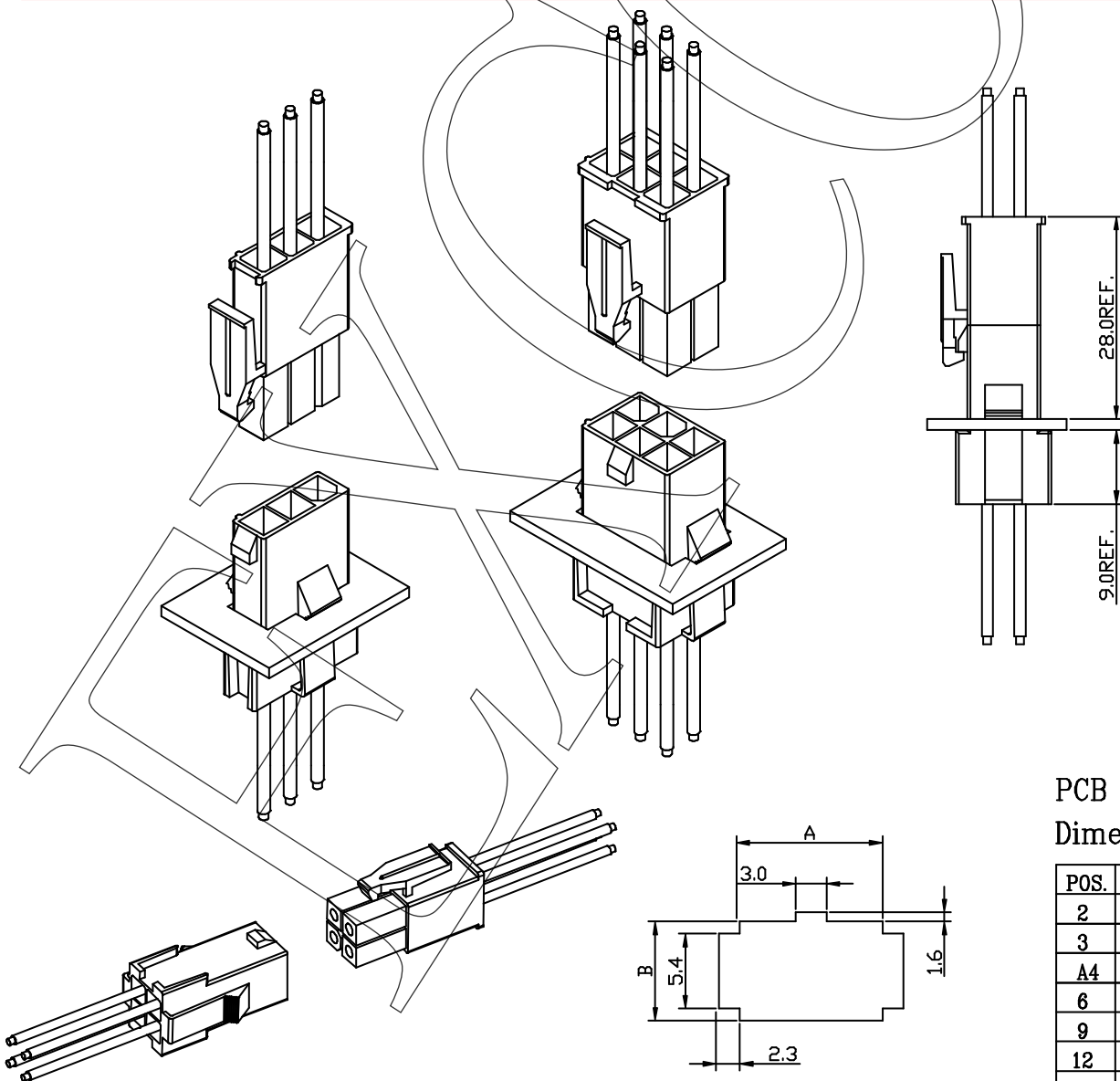
6608 SERIES

■ Wire to Wire System
pitch 4.14mm(.163")

■ Specification

1. Current rating: 5A AC/DC
2. Voltage rating: 600 AC/DC
3. Withstand voltage: 1500V AC/minute
4. Insulation resistance: 1000M ohm min
5. Contact resistance: 10m ohm max

6. Temperature range: -25°C to +85°C
7. Applicable panel thickness: 0.8~2.0mm
8. Applicable wires: AWG#24-#18
Insulation O.D.: 1.6-2.7mm
9. Circuits:1,2,3,4,6,9,12,15



PCB Layout
Dimensions:

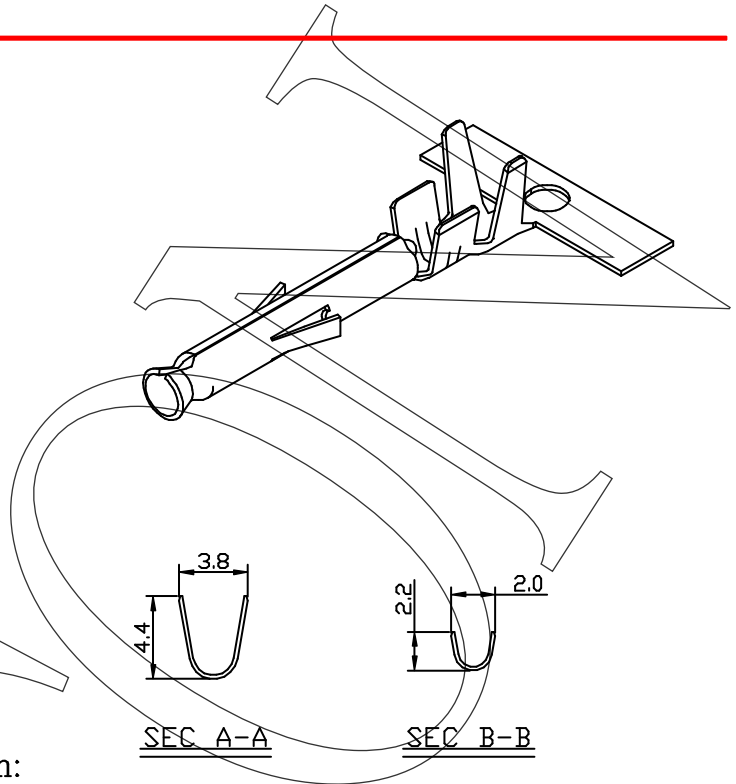
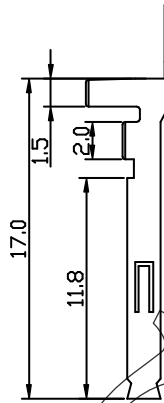
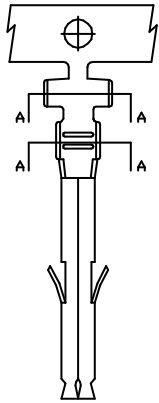
POS.	A	B
2	6.4	10.6
3	6.4	14.8
A4	10.6	10.6
6	14.8	10.6
9	14.8	14.8
12	19.0	14.8
15	23.2	14.8

LAYOUT

6608 SERIES

Crimp Terminal

Used for 6608xxHM series Housing



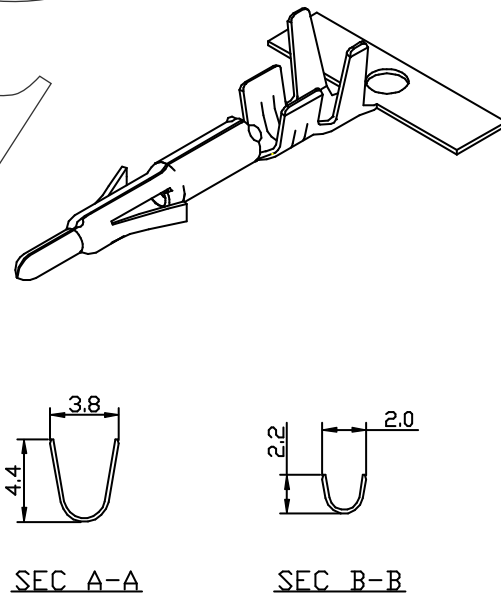
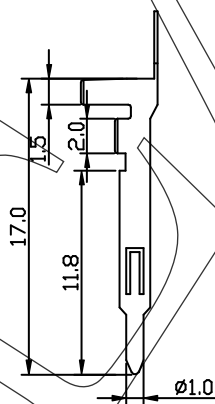
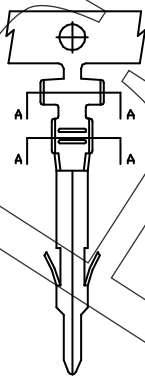
Ordering Information and Dimension:

Part No.	Wire Range	Insulation O.D.	Material	Finishing	Q'ty/reel
660800TB051	AWG#24~#18	1.6-2.7mm	Brass	Tin pre-plated	4,000pcs

6608 SERIES

Crimp Terminal

Used for 6608xxHF series Housing



Ordering Information and Dimension:

Part No.	Wire Range	Insulation O.D.	Material	Finishing	Q'ty/reel
660800TA051	AWG#24~#18	1.6-2.7mm	Brass	Tin pre-plated	4,000pcs

6608 SERIES

Housing

- Part No.: 6608xxHF051, 6608xxHP051 and 6608xxHM051
- Part Name: 6608 Housing

- Material: Nylon 66 UL 94V2
- Color: Natural

Circuits	Max. Rated		Dimensional Information	
	Amps	Voltage	Female	Male
1	5A	250V	660801HF051-Free Hanging 	660801HM051
2	5A	250V	660802HF051-Free Hanging 660802HP051-Panel Mount 	660802HM051
3	5A	250V	660803HF051-Free Hanging 660803HP051-Panel Mount 	660803HM051
4	5A	250V	660804HF051-Free Hanging 660804HP051-Panel Mount 	660804HM051

6608 SERIES

Circuits	Max. Rated		Dimensional Information	
	Amps	Voltage	Female	Male
6	5A	250V	<p>660806HF051-Free Hanging 660806HP051-Panel Mount</p>	<p>660806HM051</p>
9	5A	250V	<p>660809HF051-Free Hanging 660809HP051-Panel Mount</p>	<p>660809HM051</p>
12	5A	250V	<p>660812HF051-Free Hanging 660812HP051-Panel Mount</p>	<p>660812HM051</p>
15	5A	250V	<p>660815HF051-Free Hanging 660815HP051-Panel Mount</p>	<p>660815HM051</p>