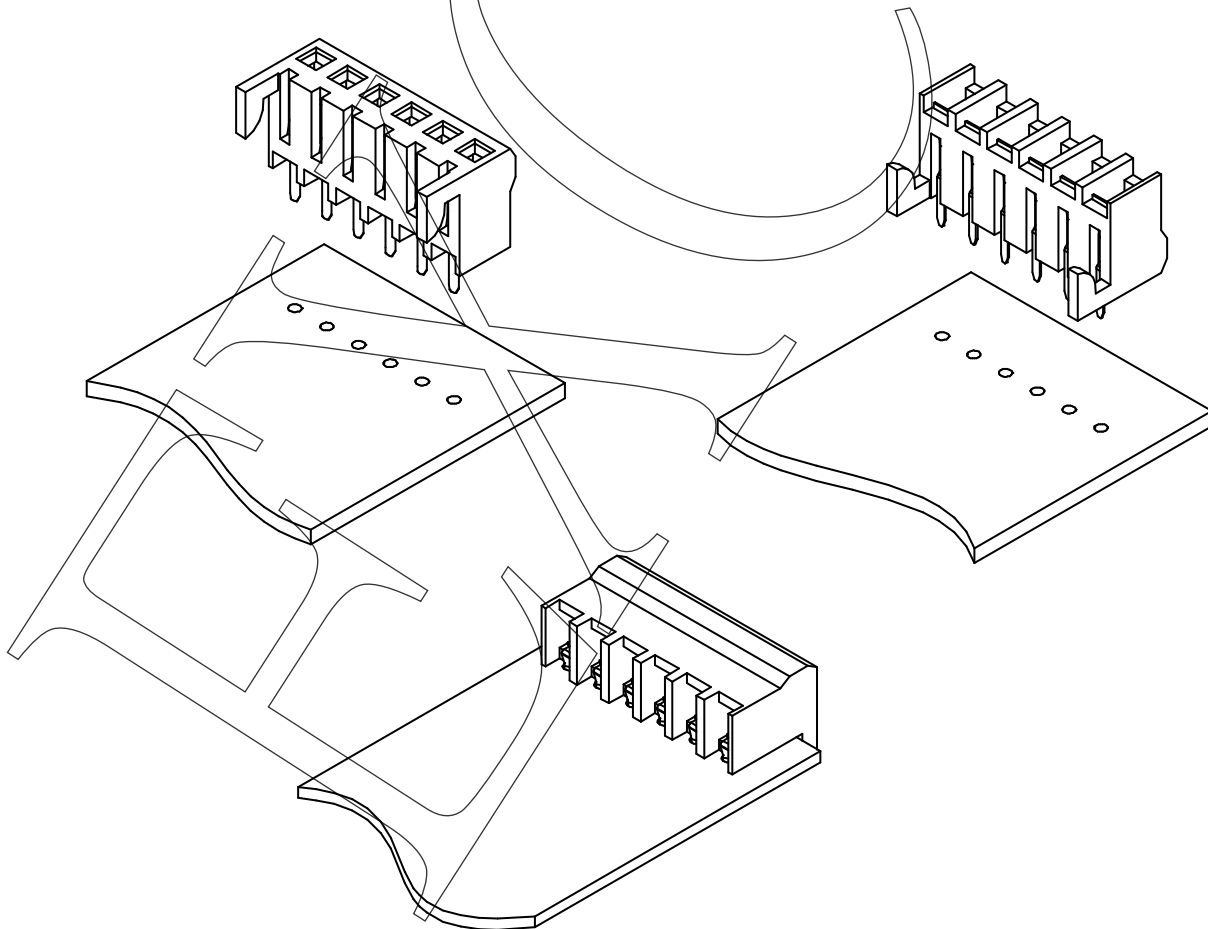


7702 SERIES

■ Board to Board System
pitch 3.96mm(.156")

■ Specifications

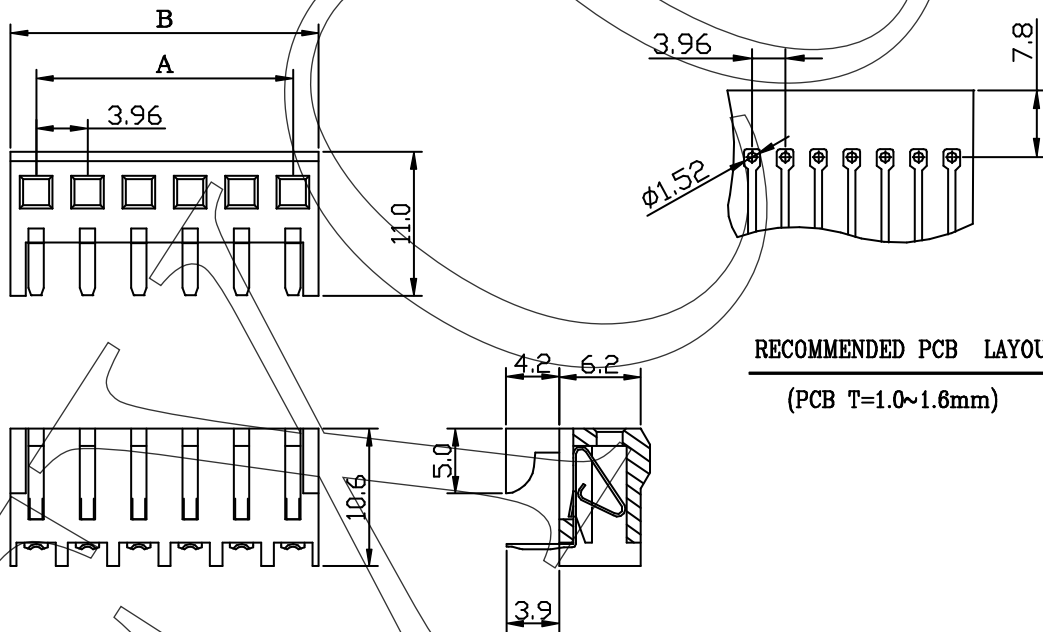
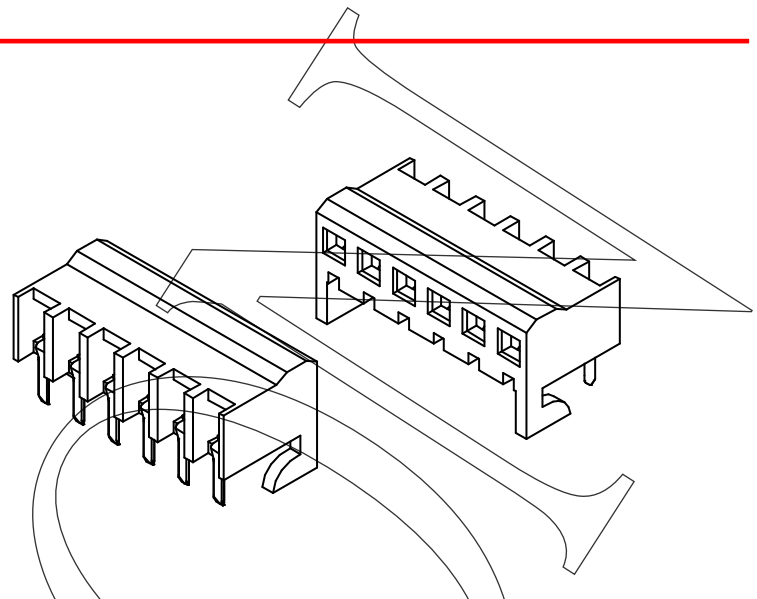
1. Current rating: 5A AC/DC
2. Voltage rating: 250V AC/DC
3. Withstand voltage: 1500V AC/minute
4. Insulation resistance: 1000M ohm min
5. Contact resistance: 20m ohm max
6. Temperature range: -25°C to +125°C
(including temperature rise)
7. Applicable PC board thickness:
1.0~1.6mm(.039" to .063")
8. Circuits: 2~25 circuits available



7702 SERIES

Wafer (Right Angle Type)

1. Part No.: 7702xxWR051
2. Part Name: 7702 Wafer
3. Material: Nylon 66 UL 94V2
4. Color: Natural



RECOMMENDED PCB LAYOUT

(PCB T=1.0~1.6mm)

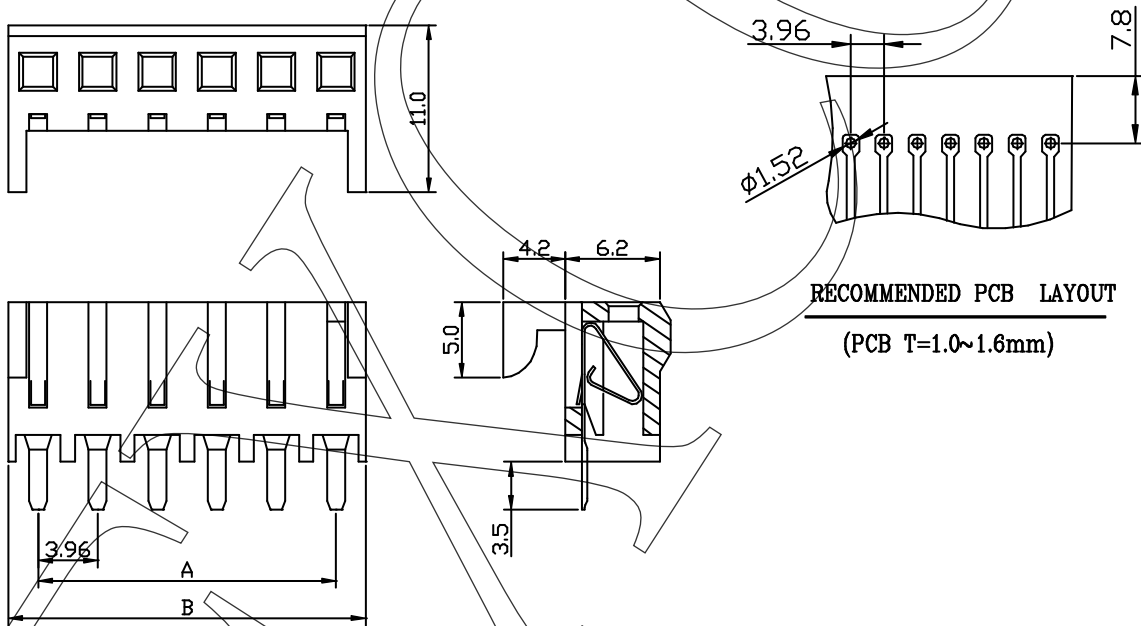
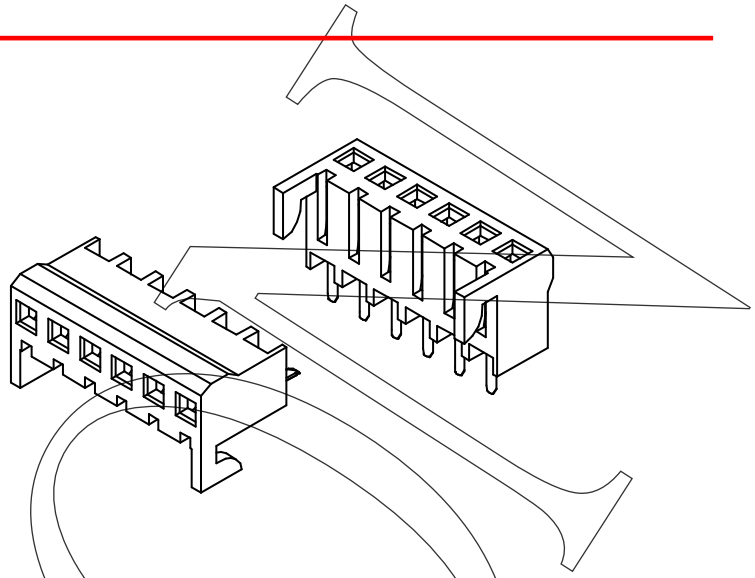
Ordering Information and Dimensions:

Part No.	Circuits	Dim A	Dim B	Part No.	Circuits	Dim A	Dim B	Part No.	Circuits	Dim A	Dim B
770202WR051	2	3.96	7.98	770210WR051	10	35.64	39.66	770218WR051	18	67.32	71.34
770203WR051	3	7.92	11.94	770211WR051	11	39.60	43.62	770219WR051	19	71.28	75.30
770204WR051	4	11.88	15.90	770212WR051	12	43.56	47.58	770220WR051	20	75.24	79.26
770205WR051	5	15.84	19.86	770213WR051	13	47.52	51.54	770221WR051	21	79.20	83.22
770206WR051	6	19.80	23.82	770214WR051	14	51.48	55.50	770222WR051	22	83.16	87.18
770207WR051	7	23.76	27.78	770215WR051	15	55.44	59.46	770223WR051	23	87.12	91.14
770208WR051	8	27.72	31.74	770216WR051	16	59.40	63.42	770224WR051	24	91.08	95.10
770209WR051	9	31.68	35.70	770217WR051	17	63.36	67.38	770225WR051	25	95.04	99.06

7702 SERIES

Wafer (Vertical Type)

1. Part No.: 7702xxWV051
2. Part Name: 7702 Wafer
3. Material: Nylon 66 UL 94V2
4. Color: Natural



RECOMMENDED PCB LAYOUT
(PCB T=1.0~1.6mm)

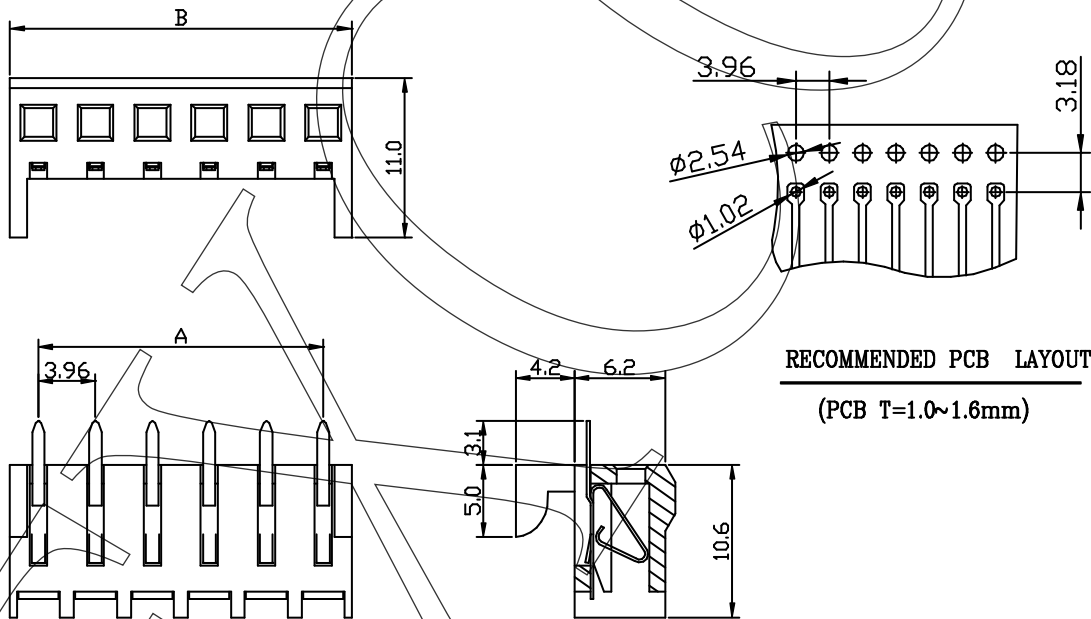
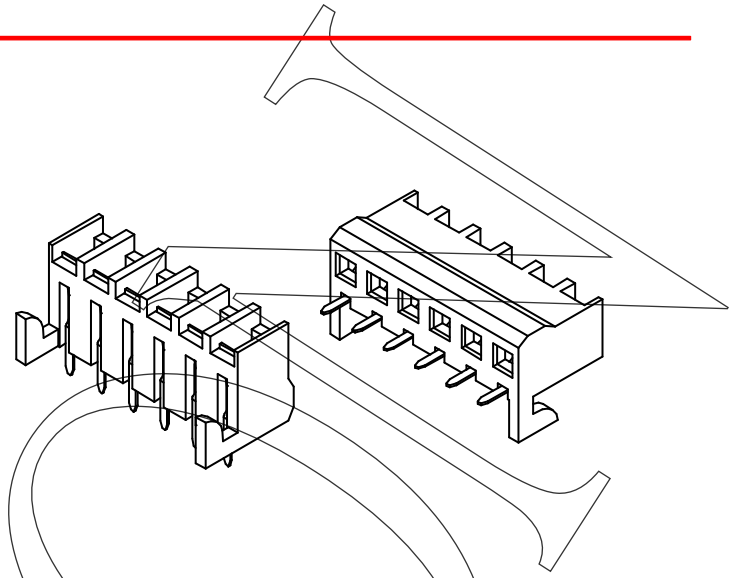
Ordering Information and Dimensions:

Part No.	Circuits	Dim A	Dim B	Part No.	Circuits	Dim A	Dim B	Part No.	Circuits	Dim A	Dim B
770202WV051	2	3.96	7.98	770210WV051	10	35.64	39.66	770218WV051	18	67.32	71.34
770203WV051	3	7.92	11.94	770211WV051	11	39.60	43.62	770219WV051	19	71.28	75.30
770204WV051	4	11.88	15.90	770212WV051	12	43.56	47.58	770220WV051	20	75.24	79.26
770205WV051	5	15.84	19.86	770213WV051	13	47.52	51.54	770221WV051	21	79.20	83.22
770206WV051	6	19.80	23.82	770214WV051	14	51.48	55.50	770222WV051	22	83.16	87.18
770207WV051	7	23.76	27.78	770215WV051	15	55.44	59.46	770223WV051	23	87.12	91.14
770208WV051	8	27.72	31.74	770216WV051	16	59.40	63.42	770224WV051	24	91.08	95.10
770209WV051	9	31.68	35.70	770217WV051	17	63.36	67.38	770225WV051	25	95.04	99.06

7702 SERIES

Wafer (Vertical Type)

1. Part No.: 7702xxWK051
2. Part Name: 7702 Wafer
3. Material: Nylon 66 UL 94V2
Pin: Brass bronze, plated tin
4. Color: Natural



RECOMMENDED PCB LAYOUT
(PCB T=1.0~1.6mm)

Ordering Information and Dimensions:

Part No.	Circuits	Dim A	Dim B	Part No.	Circuits	Dim A	Dim B	Part No.	Circuits	Dim A	Dim B
770202WK051	2	3.96	7.98	770210WK051	10	35.64	39.66	770218WK051	18	67.32	71.34
770203WK051	3	7.92	11.94	770211WK051	11	39.60	43.62	770219WK051	19	71.28	75.30
770204WK051	4	11.88	15.90	770212WK051	12	43.56	47.58	770220WK051	20	75.24	79.26
770205WK051	5	15.84	19.86	770213WK051	13	47.52	51.54	770221WK051	21	79.20	83.22
770206WK051	6	19.80	23.82	770214WK051	14	51.48	55.50	770222WK051	22	83.16	87.18
770207WK051	7	23.76	27.78	770215WK051	15	55.44	59.46	770223WK051	23	87.12	91.14
770208WK051	8	27.72	31.74	770216WK051	16	59.40	63.42	770224WK051	24	91.08	95.10
770209WK051	9	31.68	35.70	770217WK051	17	63.36	67.38	770225WK051	25	95.04	99.06