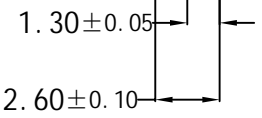
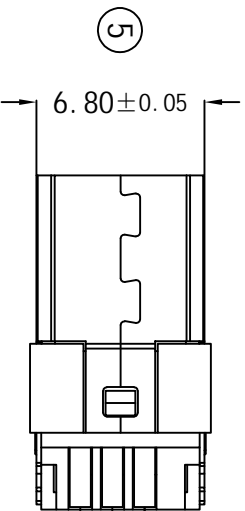
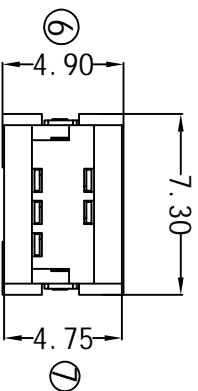
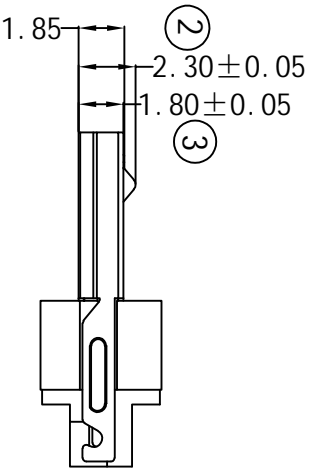
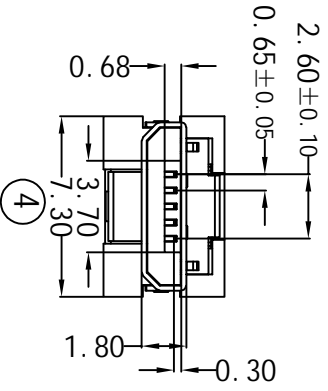


NOTES:

- 1.1 INSULATOR RESISTANCE: 100MΩ Min. AT 100V DC.
- 1.2 CURRENT RATING: 1A FOR PIN1 AND PINS.
- 1.3 DIELECTRIC STRENGTH: AC 100V FOR 1 Minute.
- 1.4 HOUSING: THERMOPLASTIC (UL 94-0).
- 1.5 CONTACT: COPPER ALLOY
- 1.6 SHELL: STEEL.
- 1.7 HOOK: STEEL.



**BRGONN**

MICRO USB 5P MALE

PN: BR03161