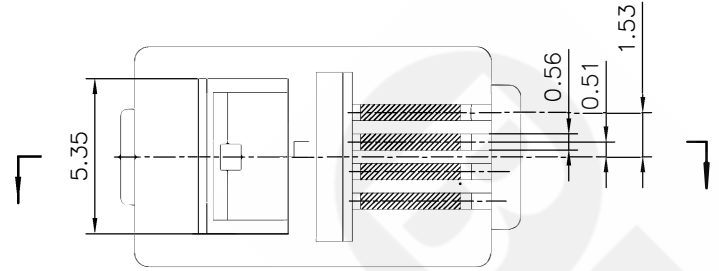


| REV. | DESCRIPTION | DRAWN        | CHECKED | APPROVED |
|------|-------------|--------------|---------|----------|
| A    | NEW RELEASE | LL 06/28/06' |         |          |
|      |             |              |         |          |
|      |             |              |         |          |

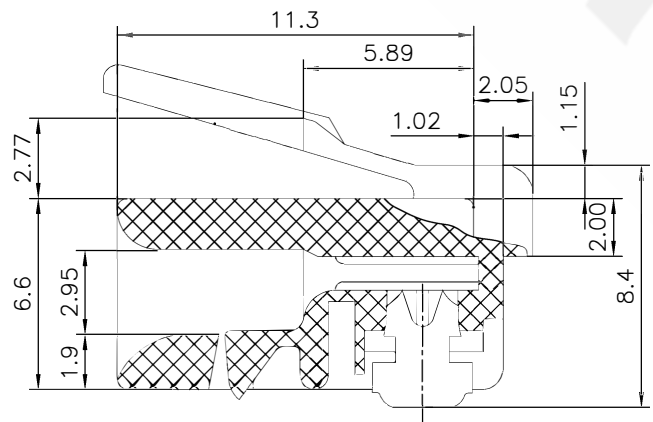


SPECIFICATION

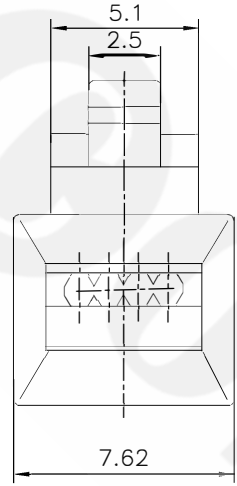
1. Insulation Resistance:1000MΩ Min.
2. Withstand Voltage:500V AC/Minute.
3. Durability:600 Cycles Min.
4. Contact resistance:50mΩ max.
5. Product Number Code:

BR 25001 -X X X X

-X X X X  
 Housing Color  
 T:Transparent  
 Contact Plating  
 0:Gold Flash 15:15u''Au  
 3:3u''Au 30:30u''Au  
 6:6u''Au  
 No.Of Contacts  
 4:4p4c  
 Connector Type  
 P:Plug  
 Series No.



SECTION A-A



| No. | PART NAME | Q'TY | MATERIAL     | REMARK             |
|-----|-----------|------|--------------|--------------------|
| (2) | BLADE     | 4    | Copper alloy | GOLD PLATING       |
| (1) | HOUSING   | 1    | PC           | UL94 V-0 OR 94 V-2 |

| GENERAL TOLERANCE |       | ANGLE TOLERANCE |     |
|-------------------|-------|-----------------|-----|
| X.                | ±0.60 | X.              | ±5' |
| .X                | ±0.38 | .X              | ±3' |
| .XX               | ±0.25 | .XX             | ±2' |

| DRAWING TYPE | CUSTOMER     |
|--------------|--------------|
| SCALE        | 1:1          |
| DRAWING NO.  | SHEET 1 OF 1 |

| PROJECTION | TITLE           |
|------------|-----------------|
| UNITS      | RJ 11 4P Plug   |
| SHEET SIZE | SERIES BR 25001 |

