

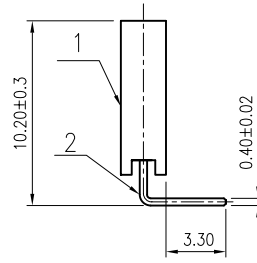
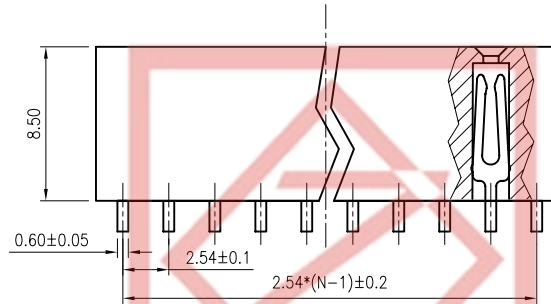
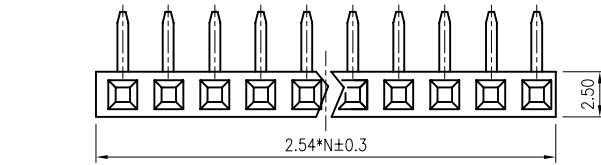
REV.	DESCRIPTION	DRAWN	CHECKED	APPROVED
A	NEW RELEASE	LJH 09/25/05'		LJC 09/25/05'
B	长端子非针尾宽度0.6更改为0.8	LL 11/29/06'		

NOTES:

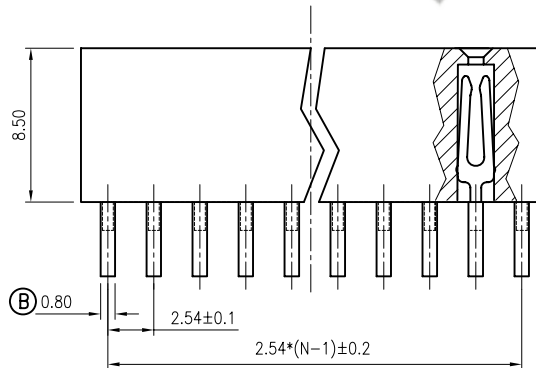
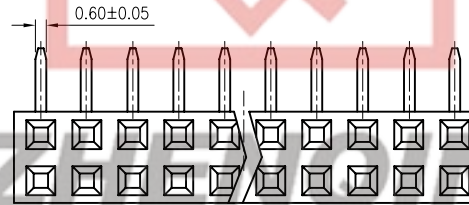
- ELECTRICAL CHARACTERISTICS:
  - CONTACT RESISTANCE: 30mΩ Max. INITIAL.
  - DIELECTRIC WITHSTANDING VOLTAGE: 500V AC(rms) FOR 1 MINUTE.
  - INSULATION RESISTANCE: 1000MΩ Min.
- ENVIRONMENT CHARACTERISTICS:
  - OPERATING TEMPERATURE: 0°C~+85°C.
  - STORAGE TEMPERATURE: -20°C~+70°C.
- PRODUCT NUMBER CODE:

DS1024- X X X

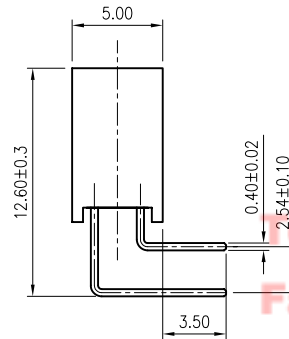
- CONTACT PLATING  
F1: FULL GOLD FLASH  
0: SELECTIVE GOLD FLASH
- MOUNTIING TYPE  
R: R/A TYPE
- No.OF CONTACTS  
1\*1-1\*40  
2\*2-2\*40



SINGLE ROW  
N:NUMBER OF CONTACTS



DUAL ROWS  
N:NUMBER OF CONTACTS/2



GENERAL TOLERANCE	
X.	±0.60
.X	±0.38
.XX	±0.25

ANGLE TOLERANCE	
X.	±5°
.X	±3°
.XX	±2°

PROJECTION



TITLE

FEMALE HEADER PITCH 2.54MM R/A TYPE

UNITS

mm

SHEET SIZE

A4

SERIES

DS1024 SERIES

2	CONTACT		COPPER ALLOY	GOLD PLATED	DRAWING TYPE	CUSTOMER		
1	HOUSING		THERMOPLASTIC	UL 94 V-0	SCALE	1:1	SHEET	1 OF 1
ITEM	PART NAME	PART NO.	MATERILAS	FINISHED	DRAWING NO.	C-DS1024-XXXX		



宁波正青电子有限公司

ZHENQIN

NINGBO ZHENQIN ELECTRONIC CO. LTD

Tel: 86-574-63508787  
Fax: 86-574-63510817  
E-mail: sale@zhenqin.com.cn

Http://www.zhenqin.com.cn  
Add: West Zhenqin Town, Cixi, Ningbo, China