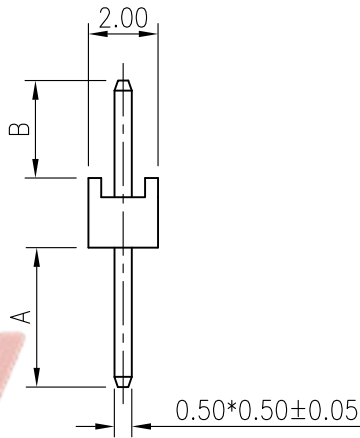
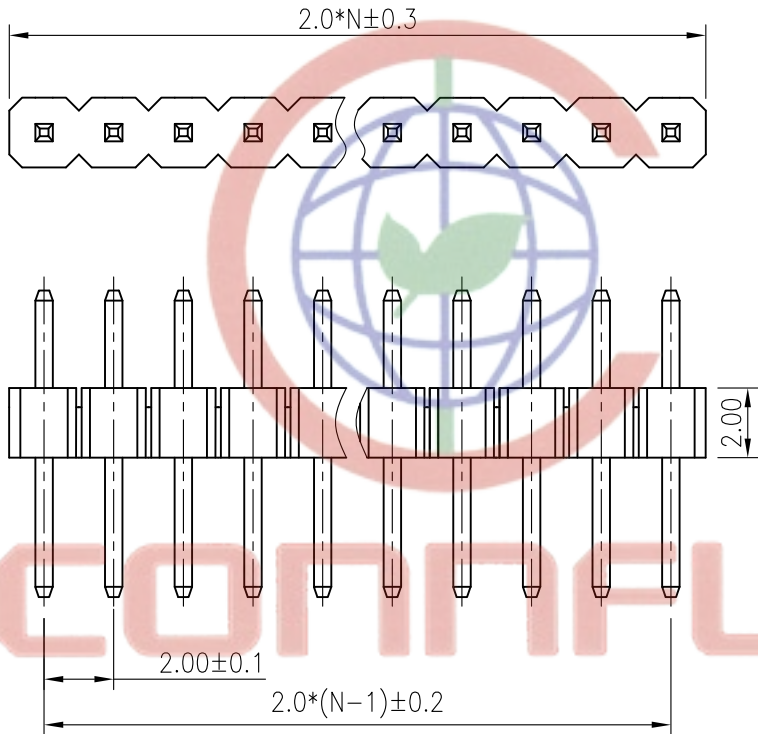


REV.	DESCRIPTION	DRAWN	CHECKED	APPROVED
A	NEW RELEASE	LJH 04/27/05'	~	LJC 04/27/05'
B	增加尺寸规格表格	YCH 07/04/07'	~	



NOTES:

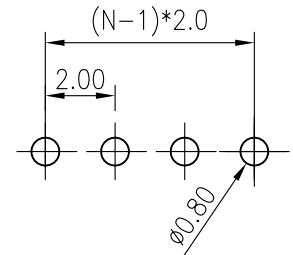
- MATERIAL&FINISHES
 - INSULATOR:THERMOPLASTIC(UL 94V-0).
 - CONTACT MATERIAL: COPPER ALLOY.
- SPECIFICATION
 - CURRENT RATING:1.5 Amp.
 - INSULATION RESISTANCE:1000MΩ Min.
 - DIELECTRIC WITHSTANDING:600VAC.
 - CONTACT RESISTANCE:20mΩ Max.
 - OPERATING TEMPERATURE:-40°C TO +105°C.
- PART NUMBER: DS1025-01
- PRODUCT NUMBER CODE:

DS1025-01 - X X X X X X X

- DIM.A B TYPE
 - 1: TYPE 1
 - 2: TYPE 2
- CONTACTS TYPE
 - V:VERTICAL TYPE
 - HOUSING COLOR
 - B:BLACK
 - CONTACT PLATING
 - 8:FULL GOLD FLASH
 - 6:TIN
 - CONNECTOR TYPE
 - P:PLUG
 - No.OF CONTACTS
 - 1*2-1*X
 - SERIES No.
 - DS1025-01

N:NUMBER OF CONTACTS

TYPE	DIM A	DIM B
1	4.00	2.80
2	6.00	3.00
3	2.80	10.20
4	2.80	15.20
5	7.00	3.00
6	10.20	2.80
7	3.70	3.00
8		



RECOMMEND PCB LAYOUT
(TOLERANCE=±0.05)

GENERAL TOLERANCE		ANGLE TOLERANCE		PROJECTION	TITLE
X.	±0.60	X.	±5°		SINGLE ROW STRAIGHT
.X	±0.38	.X	±3°	mm	
.XX	±0.25	.XX	±2°	A4	SERIES DS1025-01 SERIES
DRAWING TYPE	CUSTOMER		晨翔电子有限公司 CONNFLY CONNFLY ELECTRONIC CO. LTD		
SCALE	1:1	SHEET	1 OF 1		
DRAWING NO.	C-DS1025-01-XXXXXX				