

REV.	DESCRIPTION	DRAWN	CHECKED	APPROVED
A	NEW RELEASE	YCH 02/01/07	~	LJC 02/01/07
B	整理圖	YCH 08/15/07	~	LJC 08/15/07
C	Arrangement drawings	JLZ 03/19/15'	~	

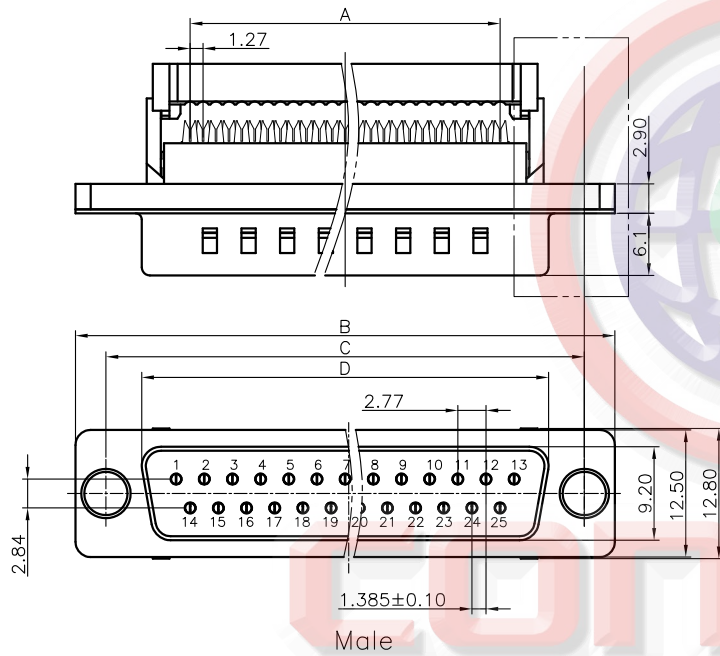
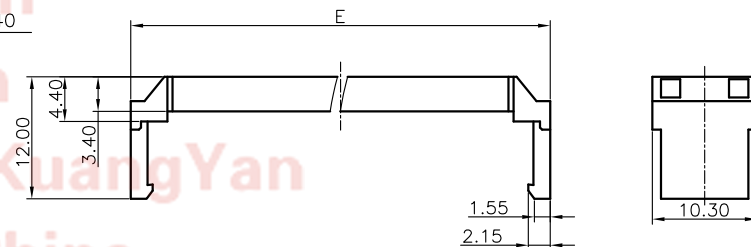
NOTES:

- ELECTRICAL CHARACTERISTICS:
 - CONTACT RESISTANCE: 30mΩ Max.INITIAL.
 - DIELECTRIC WITHSTANDING VOLTAGE:500V AC(rms) FOR 1 MINUTE.
 - INSULATION RESISTANCE:1000MΩ Min.
- MECHANICAL CHARACTERISTICS:
 - DURABILITY: 300 CYCLES.
- ENVIRONMENT CHARACTERISTICS:
 - TEMPERATURE RANGE: -40°C~+105°C.
- PRODUCT NUMBER CODE:
DS1036 - XX X X X X X X

- SCREW TYPE
- X:W/O SCREW
- 1:CC TYPE
- 2:CS TYPE
- RIVET TYPE
- P:W/ THREAD(UNC #4-40)
- N:W/O THREAD
- CONTACT PLATING
- Si: SELECTIVE GOLD FLASH
- HOUSING COLOR
- U:BLUE
- B:BLACK
- STRAIN RELIEF
- P:W/
- N:W/O
- CONNECTOR TYPE
- M:MALE
- F:FEMALE
- No.OF CONTACTS
- 09:9pos 15:15pos
- 25:25pos 37:37pos

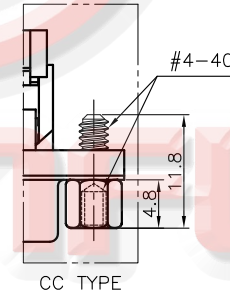
Position	D±0.2		E±0.2	
	Male	Female	Male	Female
9P	10.16	30.80	24.99	17.90
15P	17.78	39.14	33.32	26.50
25P	30.48	53.04	47.04	40.00
37P	45.72	69.32	63.50	56.50

UPPER COVER

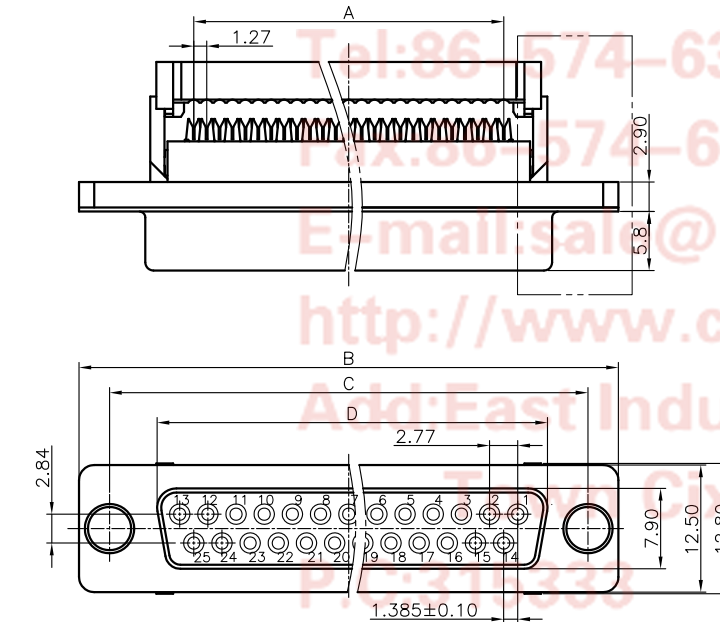


Male

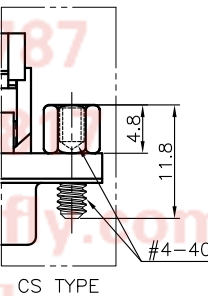
W/O SCREW TYPE



CC TYPE



Female



CS TYPE

GENERAL TOLERANCE		ANGLE TOLERANCE	
X.	±0.60	X.	±3°
.X	±0.38	.X	±2°
.XX	±0.25	.XX	±1°

PROJECTION	TITLE	I.D.C D-SUB	
UNITS	mm		
SHEET SIZE	A4	SERIES	DS1036 SERIES

DRAWING TYPE	CUSTOMER		
SCALE	1:1	SHEET	1 OF 1
DRAWING NO.	C-DS1036-XXXXXXXX-C		

晨翔电子有限公司
CONNFLY CONNFLY ELECTRONIC CO. LTD