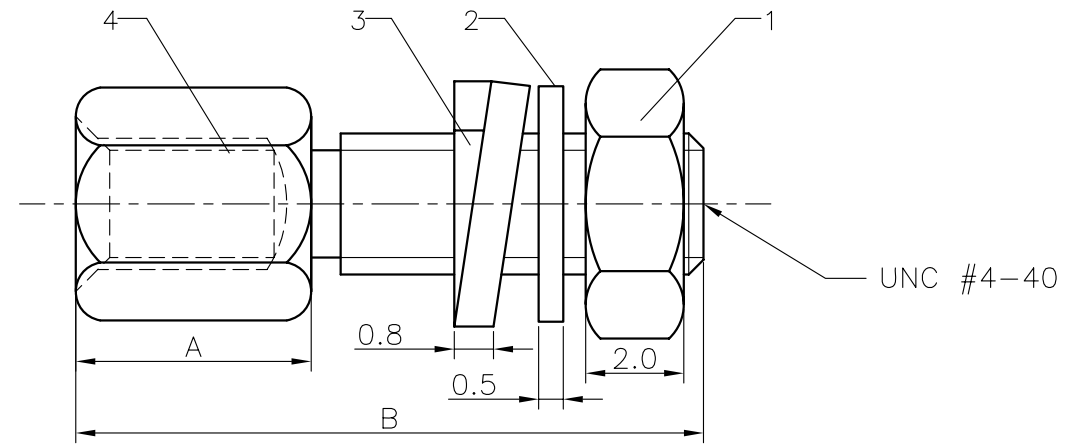
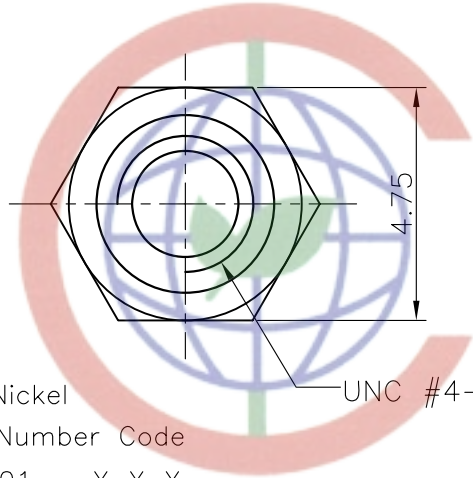


REV.	DESCRIPTION	DRAWN	CHECKED	APPROVED
A	NEW RELEASE	LL 01/22/07'	~	LJC 01/22/07'
B	整理图画	YCH 07/12/07'	~	LJC 07/12/07'
C	加长度规格	YCH 07/16/08'	~	



NOTES:

- 1. Plating: Nickel
- 2. Product Number Code

DS1045-01 - X X X

- Components support:
- 1: W/O screw 1
 - 2: W/O washer 2
 - 3: W/O split washer 3
 - 4: standard (W/ 1 2 3)
 - X: W/O 1 2 3

Dim. A type:
 0480: 4.80mm
 0580: 5.80mm

Dim. B type:
 1180: 11.8mm
 1200: 12.0mm
 1280: 12.8mm
 1780: 17.8mm
 1570: 15.7mm
 1880: 18.8mm
 1000: 10.0mm

Tel: 86-574-63508787
 Fax: 86-574-63510817

GENERAL TOLERANCE					ANGLE TOLERANCE		PROJECTION	TITLE
X.	±0.20	X.	±2°	mm		SCREW ASSEMBLY		
.X	±0.15	.X	±1°	A4		SERIES DS1045-01 SERIES		
.XX	±0.10	.XX	±0.5°	DRAWING TYPE		C-D S1045-01-XXX-C		
DRAWING NO. C-D S1045-01-XXX-C					SCALE 1:1		SHEET 1 OF 1	

ITEM	PART NAME	PART NO.	MATERILAS	FINISHED
4	BOLT		Steel	NICKEL
3	SPLIT WASHER	W-C0550-0080-2	Steel	NICKEL
2	WASHER	W-C0550-0050-1	Steel	NICKEL
1	NUT	N-L0475-0200-04	Steel	NICKEL


晨翔电子有限公司
CONFLY CONFLY ELECTRONIC CO. LTD