

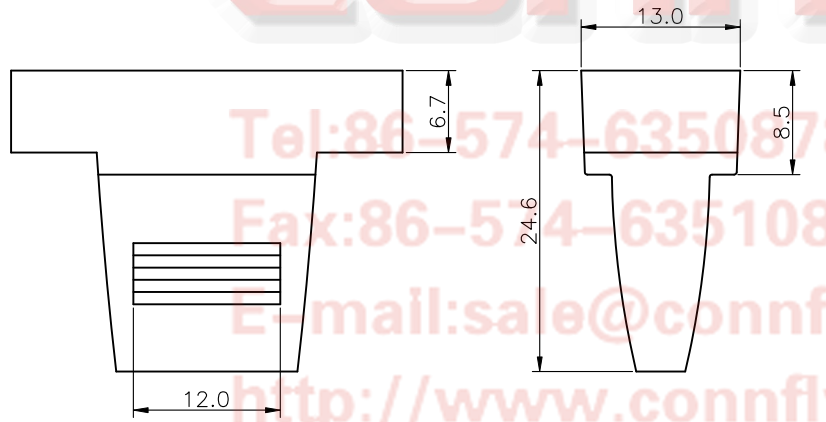
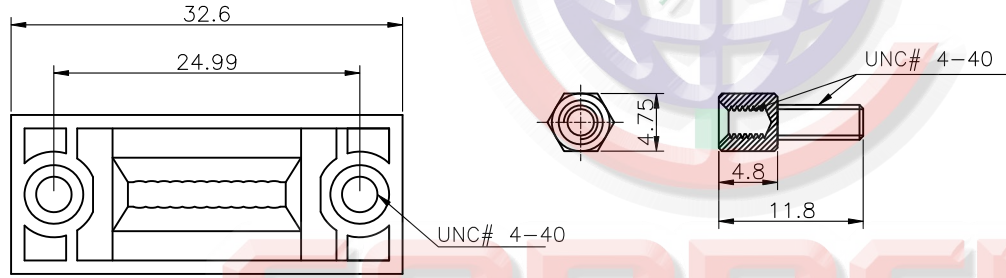
REV.	DESCRIPTION	DRAWN	CHECKED	APPROVED
A	NEW RELEASE	JLZ 09/28/16'	~	

NOTES:

1. PART NUMBER CODE:

DS1045-22 - X X X X

- Packing type
- 1: Mix packing
- Q: Full packing
- Cover Material
- P: Plastic(ABS)
- Cover Color
- B: Black
- Position
- 09: 9pin




Tel: 86-574-63508787
 Fax: 86-574-63510817
 E-mail: sale@connfly.com
 http://www.connfly.com
 Add: East Industry Zone KuangYan
 Town Cici Ningbo China
 P.C: 315333

GENERAL TOLERANCE		ANGLE TOLERANCE	
X.	±0.60	X.	±5°
.X	±0.38	.X	±3°
.XX	±0.25	.XX	±2°

PROJECTION	TITLE	D-SUB Plastic Hood 180° 9 Positions	
UNITS	mm		
SHEET SIZE	A4	SERIES	DS1045-22 SERIES

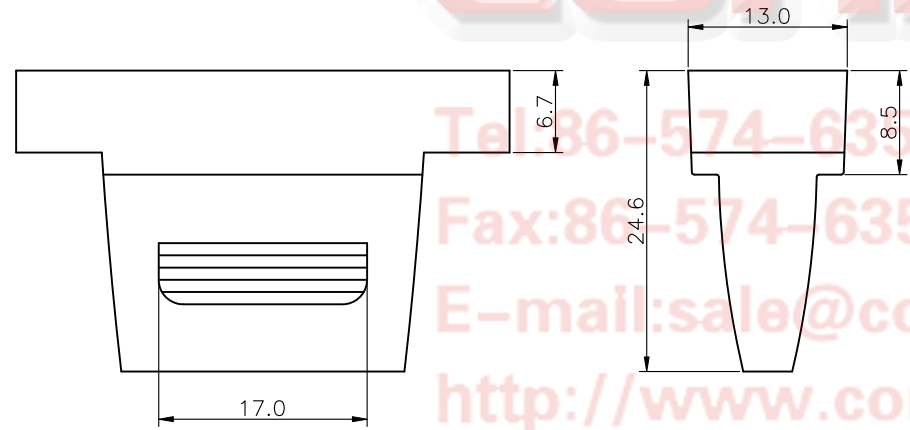
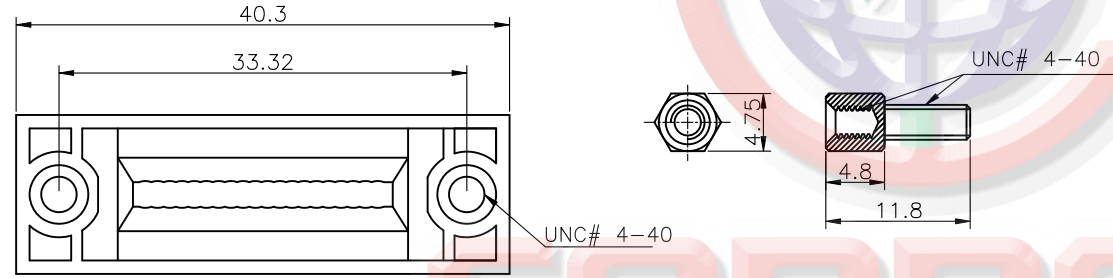
DRAWING TYPE	COSTOMER		
SCALE	1:1	SHEET	1 OF 1
DRAWING NO.	C-DS1045-22-XXXX-A		

 晨翔电子有限公司
CONNFLY® CONNFLY ELECTRONIC CO., LTD


REV.	DESCRIPTION	DRAWN	CHECKED	APPROVED
A	NEW RELEASE	JLZ 09/28/16'	~	

NOTES:
 1. PART NUMBER CODE:
 DS1045-22 - X X X X

- Packing type
- 1: Mix packing
- Q: Full packing
- Cover Material
- P: Plastic(ABS)
- Cover Color
- B: Black
- Position
- 15: 15pin



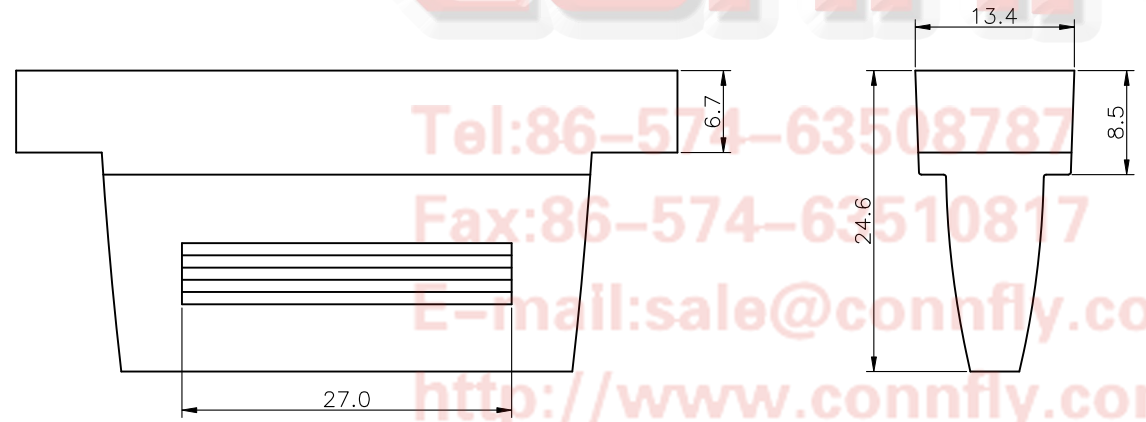
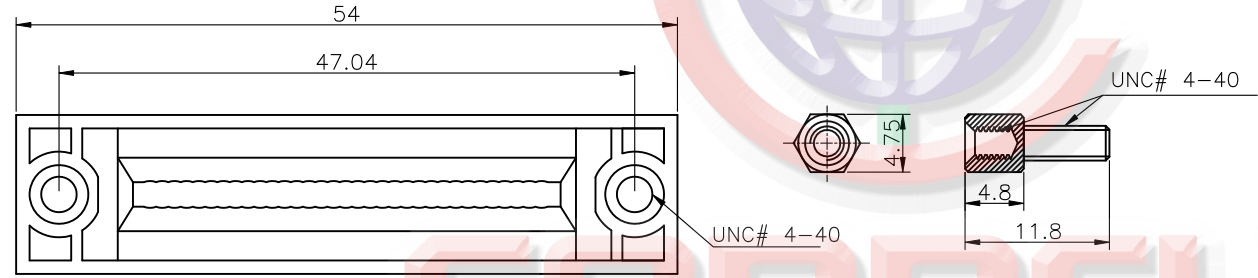
Tel: 86-574-63508787
 Fax: 86-574-63510817
 E-mail: sale@connfly.com
 http://www.connfly.com
 Add: East Industry Zone KuangYan
 Town Civi Ningbo China
 P.C: 315333

GENERAL TOLERANCE		ANGLE TOLERANCE		PROJECTION	TITLE	D-SUB Plastic Hood 180° 15 Positions	
X.	±0.60	X.	±5°	mm			
.X	±0.38	.X	±3°	A4	SERIES	DS1045-22	SERIES
.XX	±0.25	.XX	±2°				
DRAWING TYPE		COSTOMER		 晨翔电子有限公司 CONNFLY® CONNFLY ELECTRONIC CO., LTD			
SCALE		1:1	SHEET 1 OF 1				
DRAWING NO.		C-DS1045-22-XXXX-A					

REV.	DESCRIPTION	DRAWN	CHECKED	APPROVED
A	NEW RELEASE	JLZ 09/28/16'	~	

NOTES:
 1. PART NUMBER CODE:
 DS1045-22 - X X X X

- Packing type
- 1: Mix packing
- Q: Full packing
- Cover Material
- P: Plastic(ABS)
- Cover Color
- B: Black
- Position
- 25: 25pin



Tel:86-574-63508787
 Fax:86-574-63510817
 E-mail:sale@connfly.com
 http://www.connfly.com
 Add:East Industry Zone KuangYan
 Town Civi Ningbo China
 P.C:315333

GENERAL TOLERANCE		ANGLE TOLERANCE	
X.	±0.60	X.	±5°
.X	±0.38	.X	±3°
.XX	±0.25	.XX	±2°

DRAWING TYPE	COSTOMER		
SCALE	1:1	SHEET	1 OF 1
DRAWING NO.	C-DS1045-22-XXXX-A		

PROJECTION		TITLE	D-SUB Plastic Hood 180° 25 Positions	
UNITS	mm			
SHEET SIZE	A4	SERIES	DS1045-22	SERIES

晨翔电子有限公司
CONNFLY® CONNFLY ELECTRONIC CO., LTD