

REV.	DESCRIPTION	DRAWN	CHECKED	APPROVED
A	NEW RELEASE	YCH 08/18/07		

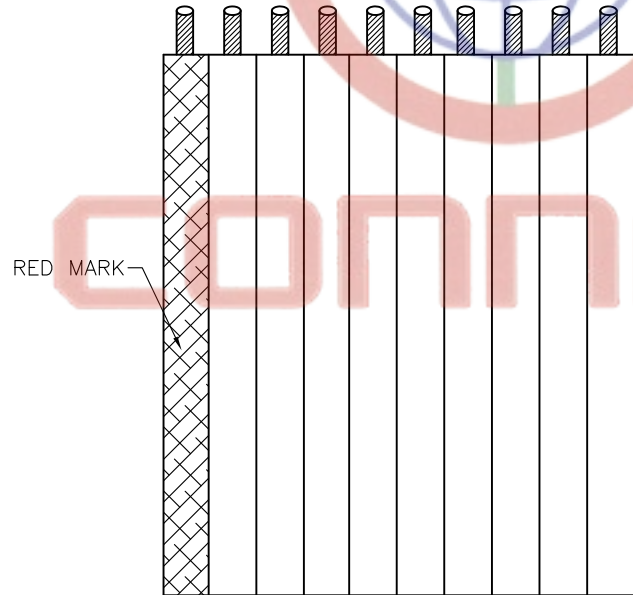
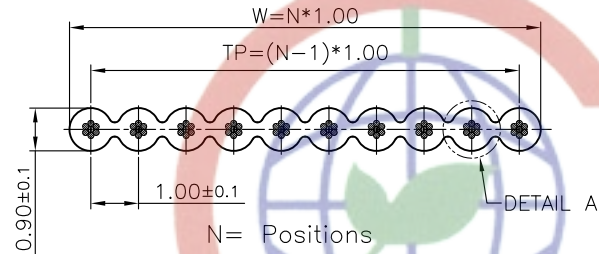
NOTES:

- Insulation material: PVC
Color: Grey
- SPECIFICATION
 - Rating: 300V
 - Conductor Size: 28AWG Or 30AWG
 - Insulation resistance: 100MΩ/km min.
- APPLICATION
 - Internal wiring of computers, electronic exchanges, measurement control devices, business machines, communication devices, and other electronic equipment.

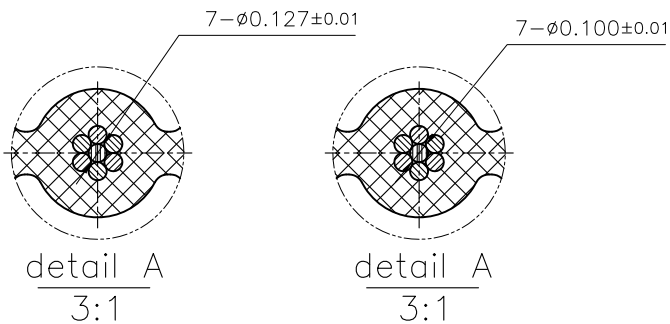
4. Product Number Code


DS1057-01 - X X X X X

- Edge mark
- R: Red mark
- F: Flower mark
- Wire diameter
- 1: $\phi 0.100$ (30AWG)
- 2: $\phi 0.127$ (28AWG)
- Wire AWG
- 28: 28AWG
- 30: 30AWG
- Cable color
- A: Gray
- No. Of positions
- 10: 10pin
- 64: 64pin



Number	Dimensions			Max. conductor resistance DC 20°C Ω/m	
	TP(mm)	W(mm)	Tolerance		
10	9.00	10.00	±0.30	$\phi 0.100 < 0.397$	
14	13.00	14.00	±0.30		
16	15.00	16.00	±0.30		
20	19.00	20.00	±0.30		
24	23.00	24.00	±0.30		
26	25.00	26.00	±0.30		$\phi 0.127 < 0.237$
30	29.00	30.00	±0.30		
34	33.00	34.00	±0.40		
40	39.00	40.00	±0.40		
50	49.00	50.00	±0.40		
60	59.00	60.00	±0.40		
64	63.00	64.00	±0.40		



GENERAL TOLERANCE	ANGLE TOLERANCE	PROJECTION	TITLE
X. ±0.60	X. ±5°	UNITS mm	UL 2651 PITCH 1.00mm FLAT CABLE
.X ±0.38	.X ±3°	SHEET SIZE A4	SERIES DS1057-01
.XX ±0.25	.XX ±2°		
DRAWING TYPE	CUSTOMER	 晨翔电子有限公司 CONNFLY CONNFLY ELECTRONIC CO. LTD	
SCALE	1:1 SHEET 1 OF 1		
DRAWING NO.	C-DS1057-01-XXXXX		