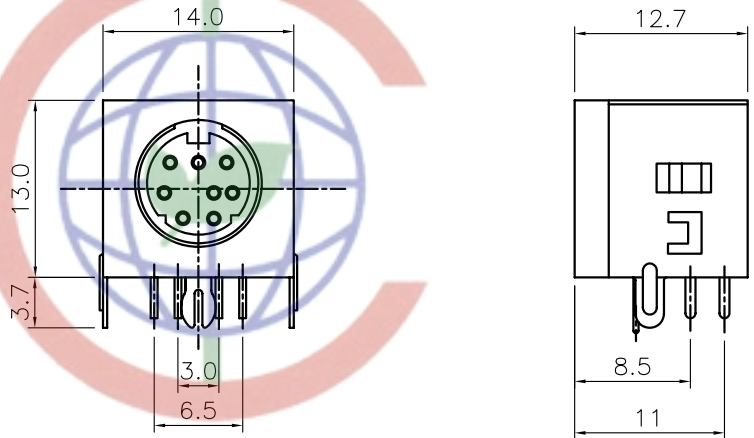


REV.	DESCRIPTION	DRAWN	CHECKED	APPROVED
A	NEW RELEASE	LJH07/17/05'		

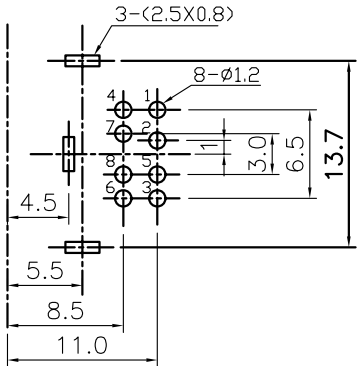


- NOTES:
- SPECIFICATIONS:
    - VOLTAGE RATING: 30V DC.
    - CONTACT CURRENT RATING: 1A MAX. PER PIN.
    - CONTACT RESISTANCE: 30 MILLIOHMS MAX.
    - DIELECTRIC WITHSTANDING VOLTAGE: 500V AC(rms) FOR 1 MINUTE.
    - INSULATION RESISTANCE: 1000 MEGAOHMS MIN.
    - OPERATING TEMPERATURE: -20°C~+80°C.
  - PRODUCT NUMBER CODE:

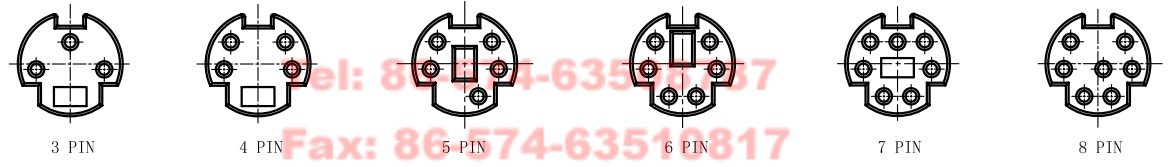
DS1093-03 - X X X X

- Contact plating  
0: Selective Gold Flash
- No. of contacts  
3 4 5 6 7 8
- Shell Plating:  
N: Nickel  
6: Tin
- Color of housing  
B: Black
- Series No.  
DS1093-03

CONNFLY



RECOMMEND PCB LAYOUT(TOLERANCE=±0.05)



GENERAL TOLERANCE		ANGLE TOLERANCE		PROJECTION	TITLE
X. ±0.60	.X ±0.38	X. ±5°	.X ±3°	mm	MINI DIN 901 TYPE
.XX ±0.25		.XX ±2°			SERIES DS1093-03 SERIES
DRAWING TYPE	CUSTOMER	Add: West Jiaxing Town Cixi Ningbo China			
SCALE	1:1	SHEET	1 OF 1		
DRAWING NO.	C-DS1093-03-XXXX			<b>晨翔电子有限公司</b> <b>CONNFLY CONNFLY ELECTRONIC CO. LTD</b>	