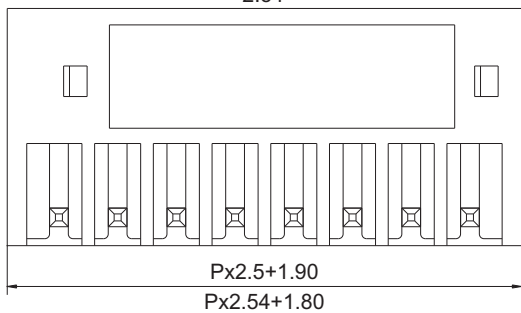
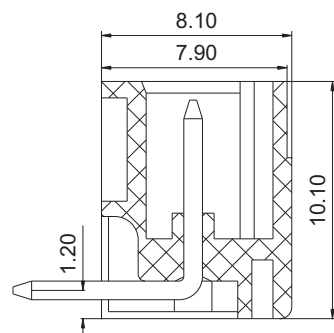
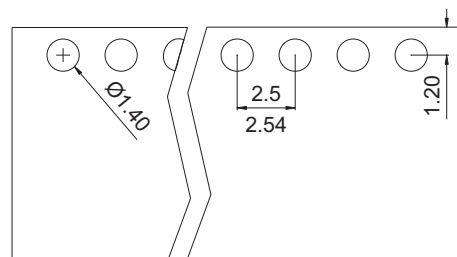
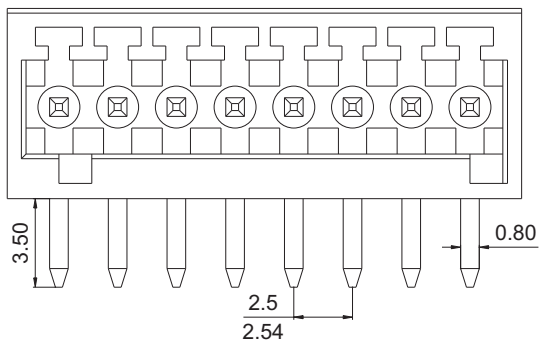




慈溪市科发电子有限公司

CIXI KEFA ELECTRONICS CO., LTD.

产品规格书



Safety Approval	
Electrical	
Standard	
Rated voltage	
Rated current	
Withstanding voltage	

UL	IEC
125V	130V
4A	5A
AC1250V/1Min	

Mechanical	
Temp range	

-40°C—+105°C

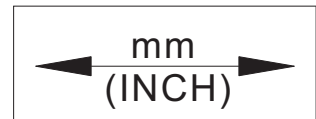
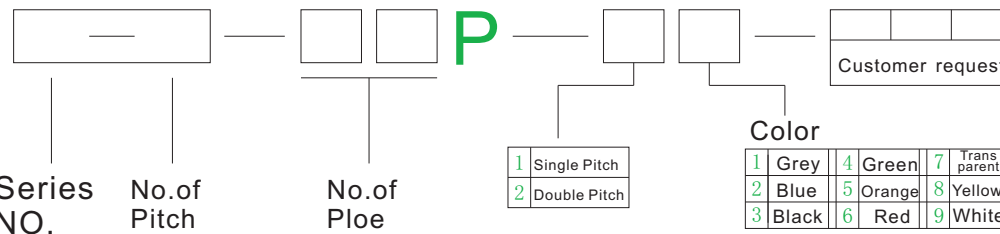
Dimension	
Pitch	
Poles	

2.5/2.54mm
2P-24P

MATERIAL	
Housing	
Pin header	

PA66 UL94V-0
Brass Tin plated

HOW TO ORDER:



慈溪市科发电子有限公司
CIXI KEFA ELECTRONICS CO., LTD.



NAME KF2EDGR-2.5/2.54