



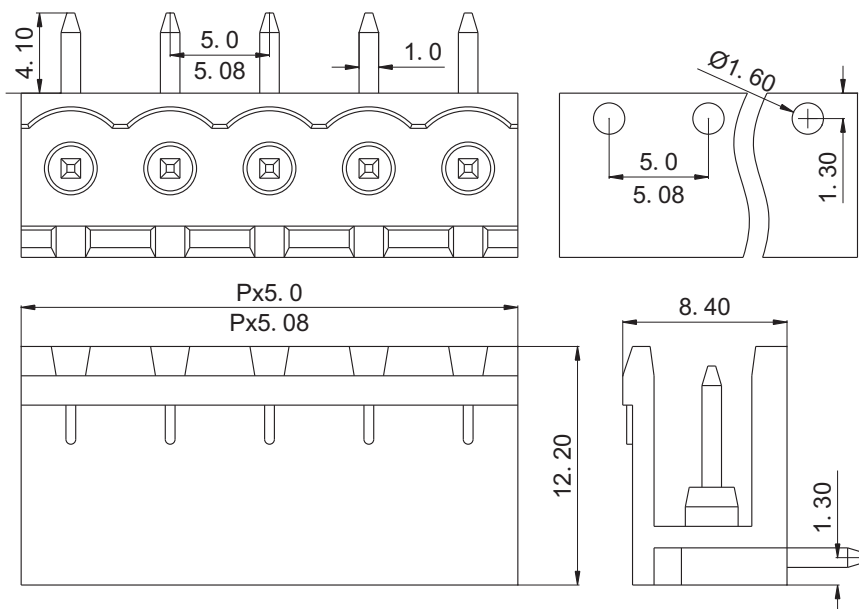
# 慈溪市科发电子有限公司

## CIXI KEFA ELECTRONICS CO., LTD.

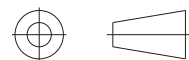
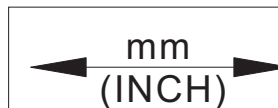
产品规格书



KF2EDGR-5.0/5.08



Certification	cUL <sup>us</sup>	CE
<b>Electrical performance</b>		
Reference standard	UL	IEC
Rated voltage	300V	250V
Rated current	10A	15A
Wire diameter		
Rated impulse voltage	2.5KV	
<b>Mechanical properties</b>		
Ambient temperature	-40°C~+120°C	
Strip length		
Maximum locking torque		
<b>Size</b>		
Spacing	5.0/5.08mm(.197"/.200")	
The number of poles	2-24P	
<b>Material and Plating</b>		
Plastic parts	PA66, UL94V-0	
Welding needle	Brass, Tin plating	
Screw		
Square box		
Contact material		
Reed		



THIROANGIF PROJECTION



慈溪市科发电子有限公司  
CIXI KEFA ELECTRONICS CO., LTD.

**NAME** KF2EDGR-5.08