
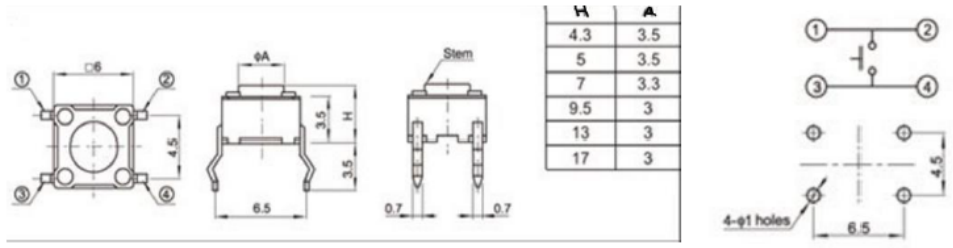

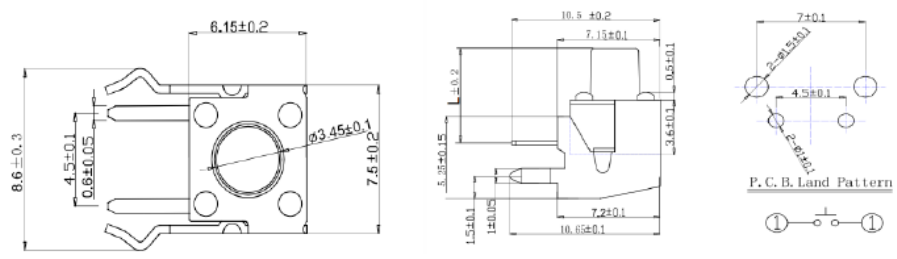


TACTIL SWITCH

Item Number	FL7-020-6*6J																	
Photo																		
Drawing	 <table border="1" data-bbox="933 537 1077 705"> <thead> <tr> <th>H</th> <th>A</th> </tr> </thead> <tbody> <tr> <td>4.3</td> <td>3.5</td> </tr> <tr> <td>5</td> <td>3.5</td> </tr> <tr> <td>7</td> <td>3.3</td> </tr> <tr> <td>9.5</td> <td>3</td> </tr> <tr> <td>13</td> <td>3</td> </tr> <tr> <td>17</td> <td>3</td> </tr> </tbody> </table>				H	A	4.3	3.5	5	3.5	7	3.3	9.5	3	13	3	17	3
H	A																	
4.3	3.5																	
5	3.5																	
7	3.3																	
9.5	3																	
13	3																	
17	3																	
Specification	Operation Temperature	-30°C~ +85°C																
	Rated current	50mA, 12VDC																
	Insulation resistance	100MW min, 100VDC																
	Dielectric strength	250VAC for 1min																
	Contact Resistance	100mW max																
	Operation Force	70gf, 90gf,	130gf, 160gf, 180gf, 210gf, 250gf	320gf, 400gf														
	Life time	300,000cycles	100,000 cycles	50,000cycles														
	Operation Stroke	0.25±0.1mm																

Item Number	FL7-023-6*6J			
Photo				
Drawing				
Specification	Operation Temperature	-30°C~ +85°C		
	Rated current	50mA, 12VDC		
	Insulation resistance	100MW min, 100VDC		
	Dielectric strength	250VAC for 1min		
	Contact Resistance	100mW max		
	Operation Force	160gf, 260gf		
	Life time	100,000cycles		
	Operation Stroke	0.25±0.1mm		

DISTRIBUIDOR:

BREDA COMERCIO E IMPORTAÇÃO LTDA

WWW.BREDACONECTORES.COM.BR

E-MAIL: breda@bredaconectores.com.br

Tel: 11-2367-7470