
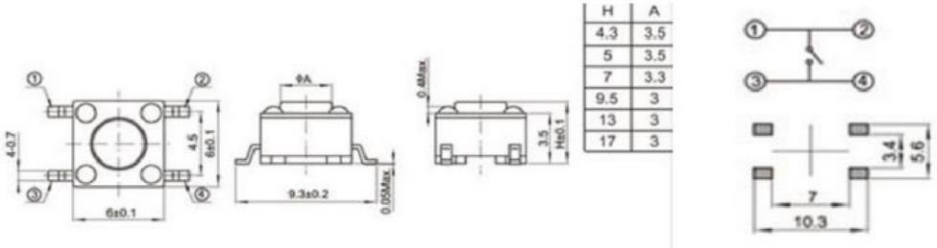

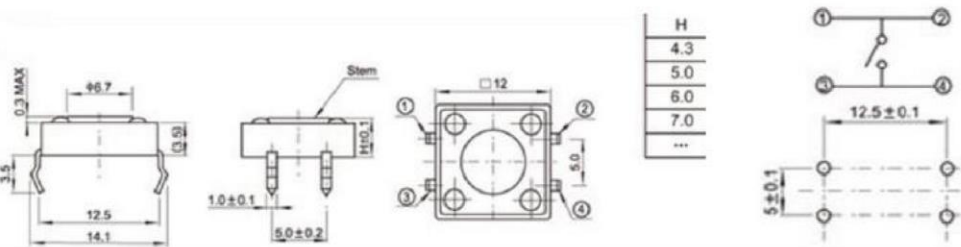


## TACTIL SWITCH

Item Number	FL7-020-6*6T																																		
Photo																																			
Drawing	 <table border="1" data-bbox="973 548 1061 705"> <thead> <tr> <th>H</th> <th>A</th> </tr> </thead> <tbody> <tr> <td>4.3</td> <td>3.5</td> </tr> <tr> <td>5</td> <td>3.5</td> </tr> <tr> <td>7</td> <td>3.3</td> </tr> <tr> <td>9.5</td> <td>3</td> </tr> <tr> <td>13</td> <td>3</td> </tr> <tr> <td>17</td> <td>3</td> </tr> </tbody> </table>			H	A	4.3	3.5	5	3.5	7	3.3	9.5	3	13	3	17	3																		
H	A																																		
4.3	3.5																																		
5	3.5																																		
7	3.3																																		
9.5	3																																		
13	3																																		
17	3																																		
Specification	<table border="1"> <tbody> <tr> <td>Operation Temperature</td> <td colspan="3">-30°C~ +85°C</td> </tr> <tr> <td>Rated current</td> <td colspan="3">50mA, 12VDC</td> </tr> <tr> <td>Insulation resistance</td> <td colspan="3">100MW min, 100VDC</td> </tr> <tr> <td>Dielectric strength</td> <td colspan="3">250VAC for 1min</td> </tr> <tr> <td>Contact Resistance</td> <td colspan="3">100mW max</td> </tr> <tr> <td>Operation Force</td> <td>70gf, 90gf,</td> <td>130gf, 160gf, 180gf, 250gf</td> <td>320gf, 400gf, 520gf</td> </tr> <tr> <td>Life time</td> <td>300,000cycles</td> <td>100,000 cycles</td> <td>50,000cycles</td> </tr> <tr> <td>Operation Stroke</td> <td colspan="3">0.25±0.1mm</td> </tr> </tbody> </table>			Operation Temperature	-30°C~ +85°C			Rated current	50mA, 12VDC			Insulation resistance	100MW min, 100VDC			Dielectric strength	250VAC for 1min			Contact Resistance	100mW max			Operation Force	70gf, 90gf,	130gf, 160gf, 180gf, 250gf	320gf, 400gf, 520gf	Life time	300,000cycles	100,000 cycles	50,000cycles	Operation Stroke	0.25±0.1mm		
Operation Temperature	-30°C~ +85°C																																		
Rated current	50mA, 12VDC																																		
Insulation resistance	100MW min, 100VDC																																		
Dielectric strength	250VAC for 1min																																		
Contact Resistance	100mW max																																		
Operation Force	70gf, 90gf,	130gf, 160gf, 180gf, 250gf	320gf, 400gf, 520gf																																
Life time	300,000cycles	100,000 cycles	50,000cycles																																
Operation Stroke	0.25±0.1mm																																		

Item Number	FL7-031-12*12J																																		
Photo																																			
Drawing	 <table border="1" data-bbox="1029 1433 1101 1579"> <thead> <tr> <th>H</th> </tr> </thead> <tbody> <tr> <td>4.3</td> </tr> <tr> <td>5.0</td> </tr> <tr> <td>6.0</td> </tr> <tr> <td>7.0</td> </tr> <tr> <td>...</td> </tr> </tbody> </table>			H	4.3	5.0	6.0	7.0	...																										
H																																			
4.3																																			
5.0																																			
6.0																																			
7.0																																			
...																																			
Specification	<table border="1"> <tbody> <tr> <td>Operation Temperature</td> <td colspan="3">-30°C~ +85°C</td> </tr> <tr> <td>Rated current</td> <td colspan="3">50mA, 12VDC</td> </tr> <tr> <td>Insulation resistance</td> <td colspan="3">100MW min, 100VDC</td> </tr> <tr> <td>Dielectric strength</td> <td colspan="3">250VAC for 1min</td> </tr> <tr> <td>Contact Resistance</td> <td colspan="3">100mW max</td> </tr> <tr> <td>Operation Force</td> <td>180gf</td> <td>250gf</td> <td></td> </tr> <tr> <td>Life time</td> <td>200,000cycles</td> <td>100,000cycles</td> <td></td> </tr> <tr> <td>Operation Stroke</td> <td colspan="3">0.25±0.1mm</td> </tr> </tbody> </table>			Operation Temperature	-30°C~ +85°C			Rated current	50mA, 12VDC			Insulation resistance	100MW min, 100VDC			Dielectric strength	250VAC for 1min			Contact Resistance	100mW max			Operation Force	180gf	250gf		Life time	200,000cycles	100,000cycles		Operation Stroke	0.25±0.1mm		
Operation Temperature	-30°C~ +85°C																																		
Rated current	50mA, 12VDC																																		
Insulation resistance	100MW min, 100VDC																																		
Dielectric strength	250VAC for 1min																																		
Contact Resistance	100mW max																																		
Operation Force	180gf	250gf																																	
Life time	200,000cycles	100,000cycles																																	
Operation Stroke	0.25±0.1mm																																		

### DISTRIBUIDOR:

**BREDA COMERCIO E IMPORTAÇÃO LTDA**

[WWW.BREDACONECTORES.COM.BR](http://WWW.BREDACONECTORES.COM.BR)

E-MAIL: [breda@bredaconectores.com.br](mailto:breda@bredaconectores.com.br)

Tel: 11-2367-7470