



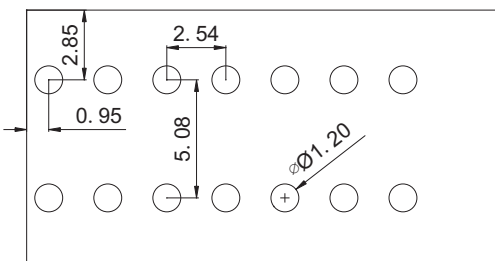
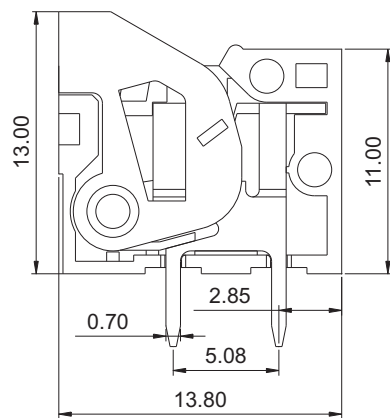
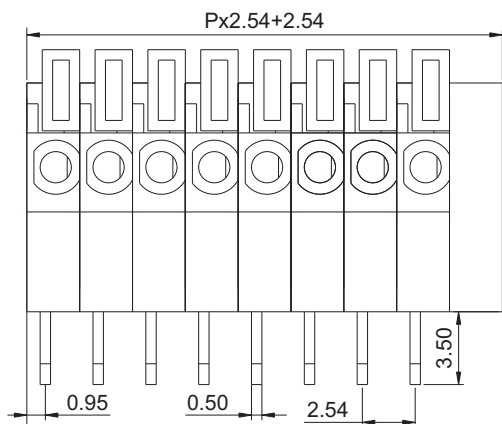
# 慈溪市科发电子有限公司

## CIXI KEFA ELECTRONICS CO., LTD.

产品规格书



KF141R-2.54



Safety Approval
Electrical
Standard
Rated voltage
Rated current
Wire range
Withstanding voltage

UL	IEC
150V	150V
2A	2A
26-20 AWG	1.0mm <sup>2</sup>
AC1250V/1Min	

Mechanical
Torque
Strip length

-40°C—+105°C
11.0mm

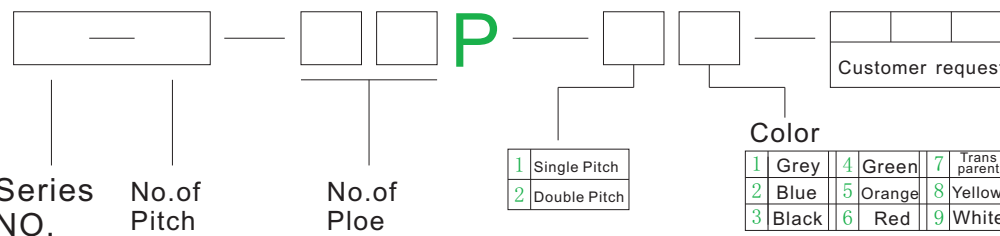
Dimension
Pitch
Poles

2.54mm
1P-xxP

MATERIAL
Housing
Pin header
Clips

ROSH PA66 UL94V-2
Phosphor bronze Tin plated
Stainless Steel

HOW TO ORDER:



慈溪市科发电子有限公司  
CIXI KEFA ELECTRONICS CO., LTD.



NAME

KF141R-2.54