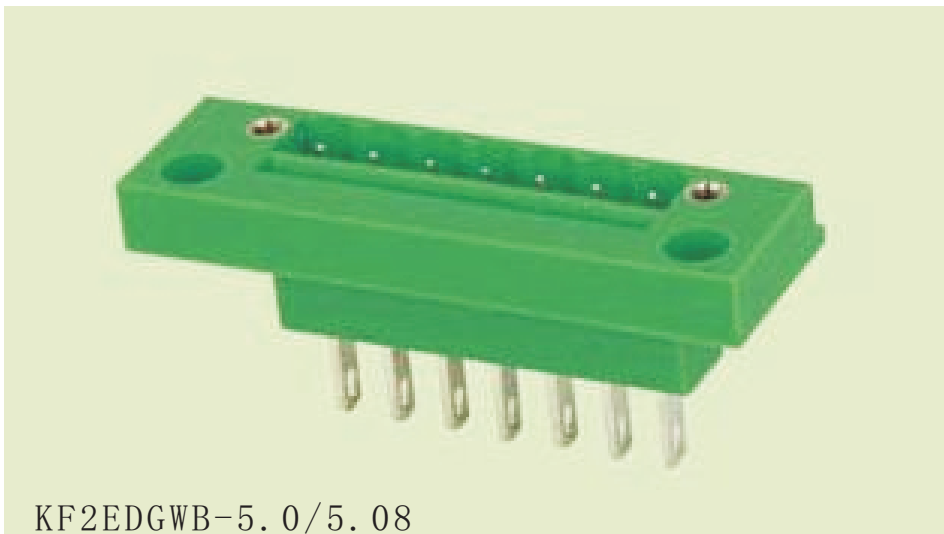




慈溪市科发电子有限公司

CIXI KEFA ELECTRONICS CO., LTD.

产品规格书



KF2EDGWB-5.0/5.08

Electrical

Rated voltage

300V

Rated current

10A

Withstanding voltage

AC2500V/1Min

Mechanical

Torque

-40°C—+105°C

Dimension

Pitch

5.0/5.08mm

Poles

2P-22P

MATERIAL

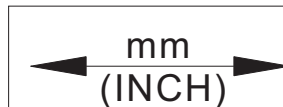
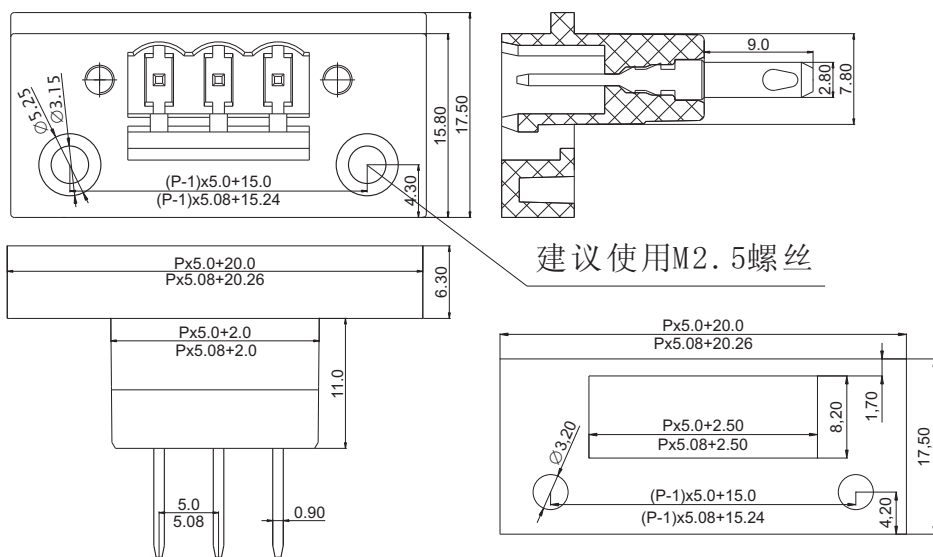
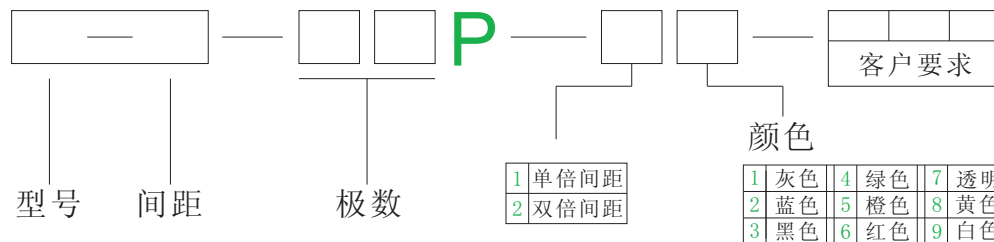
Housing

PA66 UL94V-0

Pin header

Brass, Tin plated

订购方式:



慈溪市科发电子有限公司
CIXI KEFA ELECTRONICS CO., LTD.



NAME KF2EDGWB-5.0/5.08