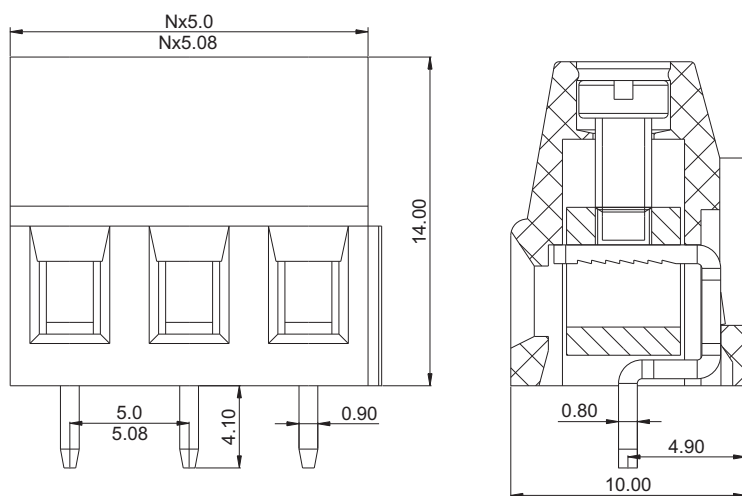
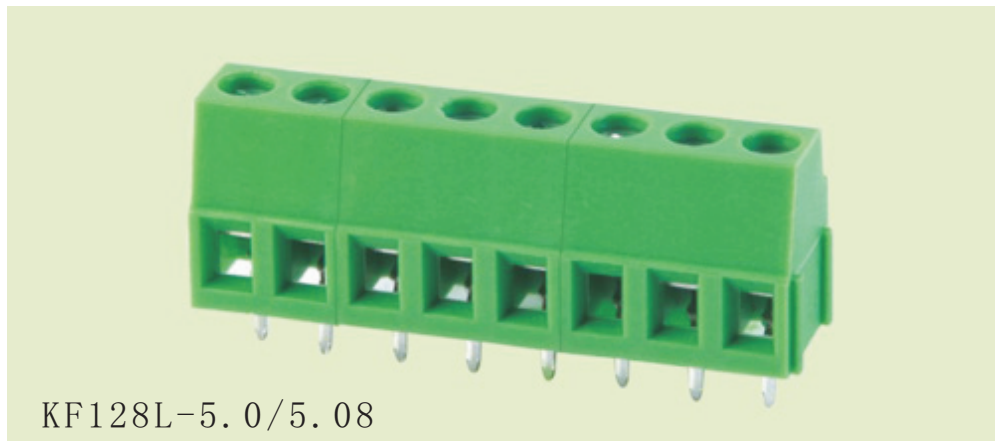




慈溪市科发电子有限公司

CIXI KEFA ELECTRONICS CO., LTD.

产品规格书



Electrical

Rated voltage

300V

Rated current

10A

Wire range

24-12 AWG

Withstanding voltage

AC1500V/Min

Mechanical

Torque

0.4NM (3.5Lb-in)

Temp range

-40°C—+105°C

Strip length

6.0-7.0mm

Dimension

Pitch

5.0/5.08mm

Poles

2P 3P

MATERIAL

Housing

Pa66 UL94V-0

Pin header

Brass, Tin plated

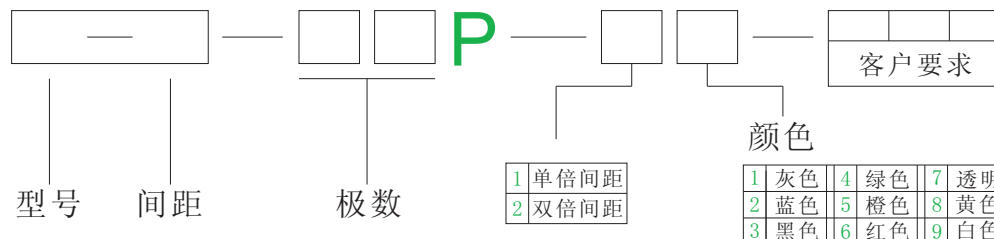
Wire cage

Brass, Ni plated

Screw

M2.5 Steel, Zinc plated

订购方式:



mm (INCH)



慈溪市科发电子有限公司
CIXI KEFA ELECTRONICS CO., LTD.



THIROANGIF PROJECTION

NAME KF128L-5.0/5.08