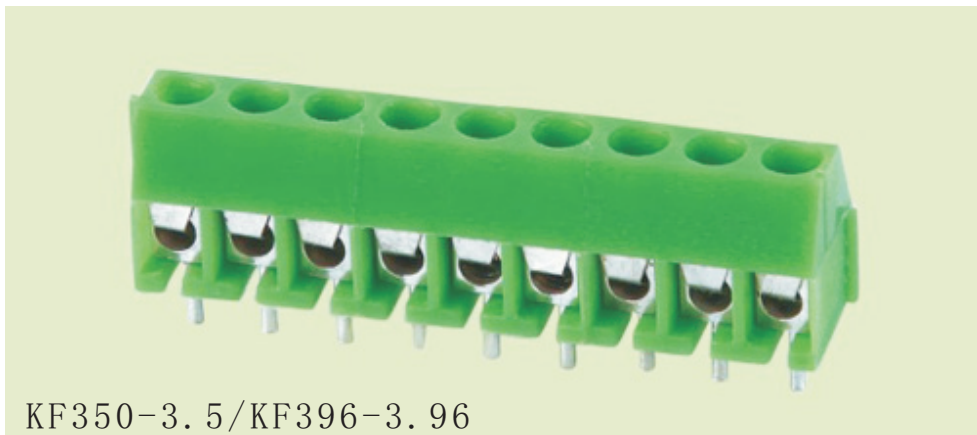




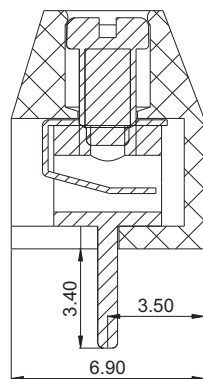
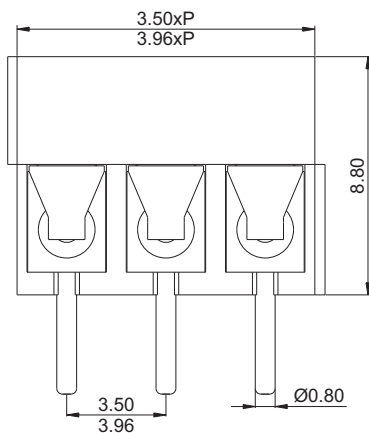
# 慈溪市科发电子有限公司

## CIXI KEFA ELECTRONICS CO., LTD.

产品规格书



KF350-3.5/KF396-3.96



### Electrical

Rated voltage

300V

Rated current

10A

Wire range

24-18 AWG

Withstanding voltage

AC1250V/1Min

### Mechanical

Torque

0.2Nm (1.8Lb-in)

Temp range

-40°C—+105°C

4.5-5.0mm

### Dimension

Pitch

3.5/3.96mm

Poles

2P 3P

### MATERIAL

Housing

Pa66 UL94V-0

Pin header

Brass, Tin plated

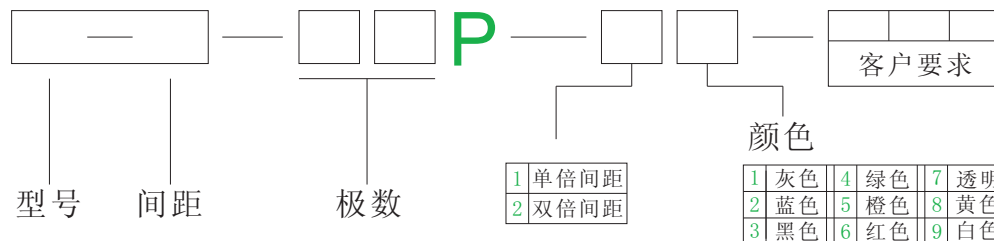
Wire guard

Phosphor bronze, Ni plated

Screw

M2.0 Steel, Zinc plated

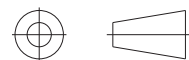
订购方式:



mm  
(INCH)



慈溪市科发电子有限公司  
CIXI KEFA ELECTRONICS CO., LTD.



THIROANGIF PROJECTION

NAME KF350-3.5/KF396-3.96